

42 Watt Desk Top Power Supply



DESCRIPTION

R-TECH 42W AC/DC Power Adapters.

DISTINCTIVE FEATURES

- C14 Input
- DOE Level VI Efficiency
- Overcurrent Protection
- Short Circuit Protection
- Centre Positive Connector
- RoHS Compliant
- 1 Year Warranty
- EN62368 Approved
- Cable Length 1.5 Metres
- Mains cable available separately

APPLICATIONS

This product is ideal for use with Audio Visual equipment, IT equipment and CCTV systems that require a 42W power supply with 2.1x5.5x12mm Centre Positive connector.

42W

12V DC

3.5A

1.5m



ELECTRICAL SPECIFICATION

Output	
DC Voltage	12 vdc
Rated Current	3.5 amp
Current Range	0-3.5 amp
Rated Power	42 Watt
Ripple & Noise	240mVp-p max
Output Regulation	±5%
Output Connector	2.1x5. 5x12mm Centre Positive
Input	
Voltage Range	90-264vac
Frequency Range	47-63Hz
Nominal Voltage Range	100-240vac
Nominal Frequency Range	50-60Hz
Input Current	1.2amp Max
Inrush Current	40amp Max
Standby Power	0.1W Max
Leakage Current	3.5ma Max
Input Connector	C14



GENERAL SPECIFICATION

Series	Power Supplies
Type	Desk Top AC/DC Adapter
RoHS Compliant	Yes
DOE	Level VI Efficiency
Class Rating	Class I



MATERIALS

Case Material	Polycarbonate
Case Colour	Black



CERTIFICATION AND STANDARDS

Safety Standards	UL/CuL 62368-1, GS/TUV EN62368-1, SAA AN/NZ 62368.1, KC K60950-1, PSE J62368-1, CCC GB4943.1-2011
EMC Emissions	EN55032, RCM, KCC KN22, KN24, PSE J55032 FCC Part 15 Class B



ENVIRONMENTAL/OPERATING SPECIFICATION

Operating Temperature	0°C~40°C
Cooling	Convection
Temperature Coefficient	0.05%/°C
Humidity	5~95%RH (non-condensing)
Storage Temperature	-20°C~+80°C
Operating Environment	Designed for indoor use only, and not suitable for use in damp or wet conditions



OPTIONS

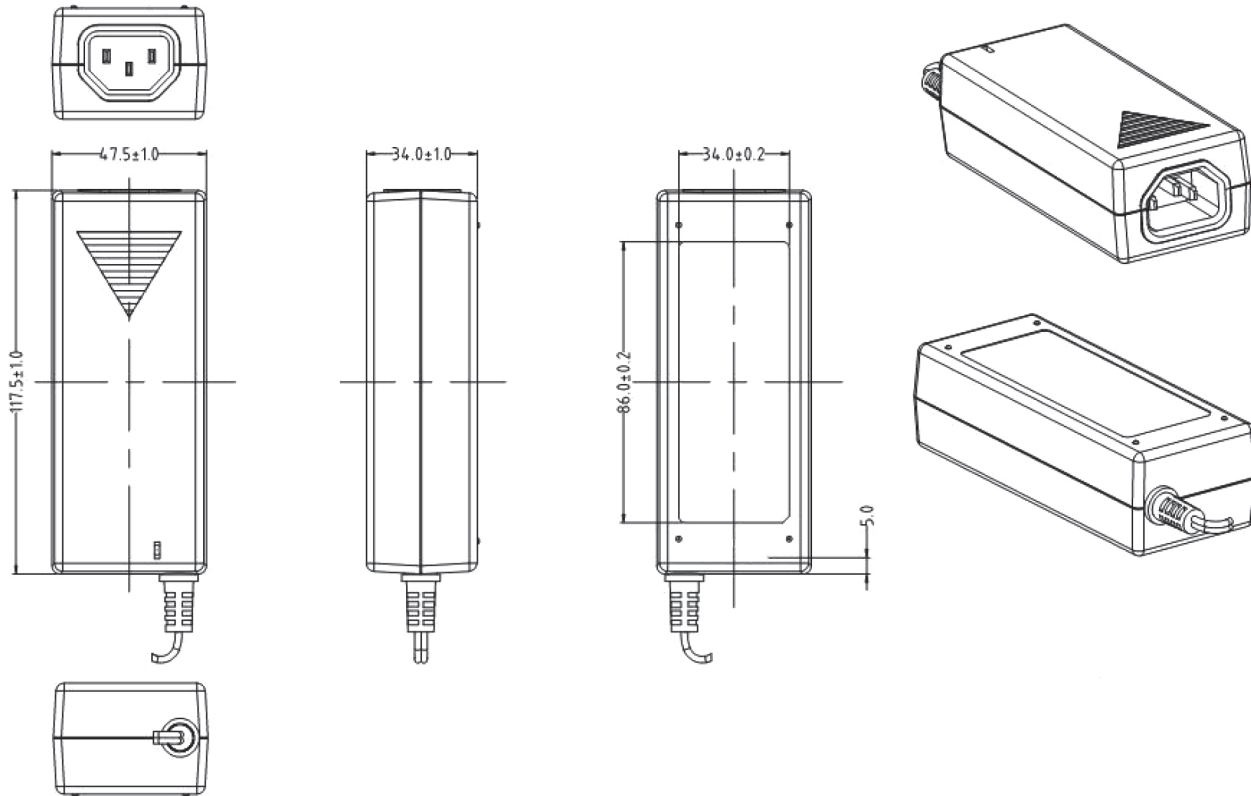
Mains cable available separately.

Order code	Associated part description
16-1747	1.8m IEC C13 F IEC C14 M Black Mains Extension Cable
16-1720	1.8m UK Plug IEC C13 Black Mains Lead
16-1729	3m UK Plug IEC C13 Black Mains Lead
35-4485	1.5m Black IEC Fused at 10A Cordset
23-0698	13A Plug (Fused 5A) to IEC 1.8m Cordset
23-6446	3m IEC Socket to 13A Plug Fused Cordset
23-6452	2m IEC Socket to 13A (Fused 3A) Plug Cordset
23-6444	2m Right Angle IEC To 5A UK Plug Cordset
23-0478	Australian 2m Black Cordset
23-6442	3m IEC Socket to 13A Plug Fused 5A Cordset



DIMENSIONS/DRAWINGS

Units	mm - unless stated otherwise
Overall Dimensions	117.5 x 47.5 x 34
Cable length	1.5 metres
Weight	237g



PART NUMBER TABLE

Part number	UNSPSC	EAN	Country of Origin
85-7082	39121004	5053556008032	China

R-TECH

Tried & trusted technology

Important Notice: This data sheet and its contents (the "Information") belong to Rapid Electronics Limited or are licensed to it. No licence is granted for the use of it other than for information purposes in connection with the products to which it relates. No licence of any intellectual property rights is granted. The Information is subject to change without notice and replaces all data sheets previously supplied. The Information supplied is believed to be accurate but Rapid Electronics Limited assumes no responsibility for its accuracy or completeness, any error in or omission from it or for any use made of it. Users of this data sheet should check for themselves the Information and the suitability of the products for their purpose and not make any assumptions based on information included or omitted. Liability for loss or damage resulting from any reliance on the Information or use of it (including liability resulting from negligence or where Rapid Electronics Limited were aware of the possibility of such loss or damage arising) is excluded. This will not operate to limit or restrict Rapid Electronics Limited's liability for death or personal injury resulting from its negligence.