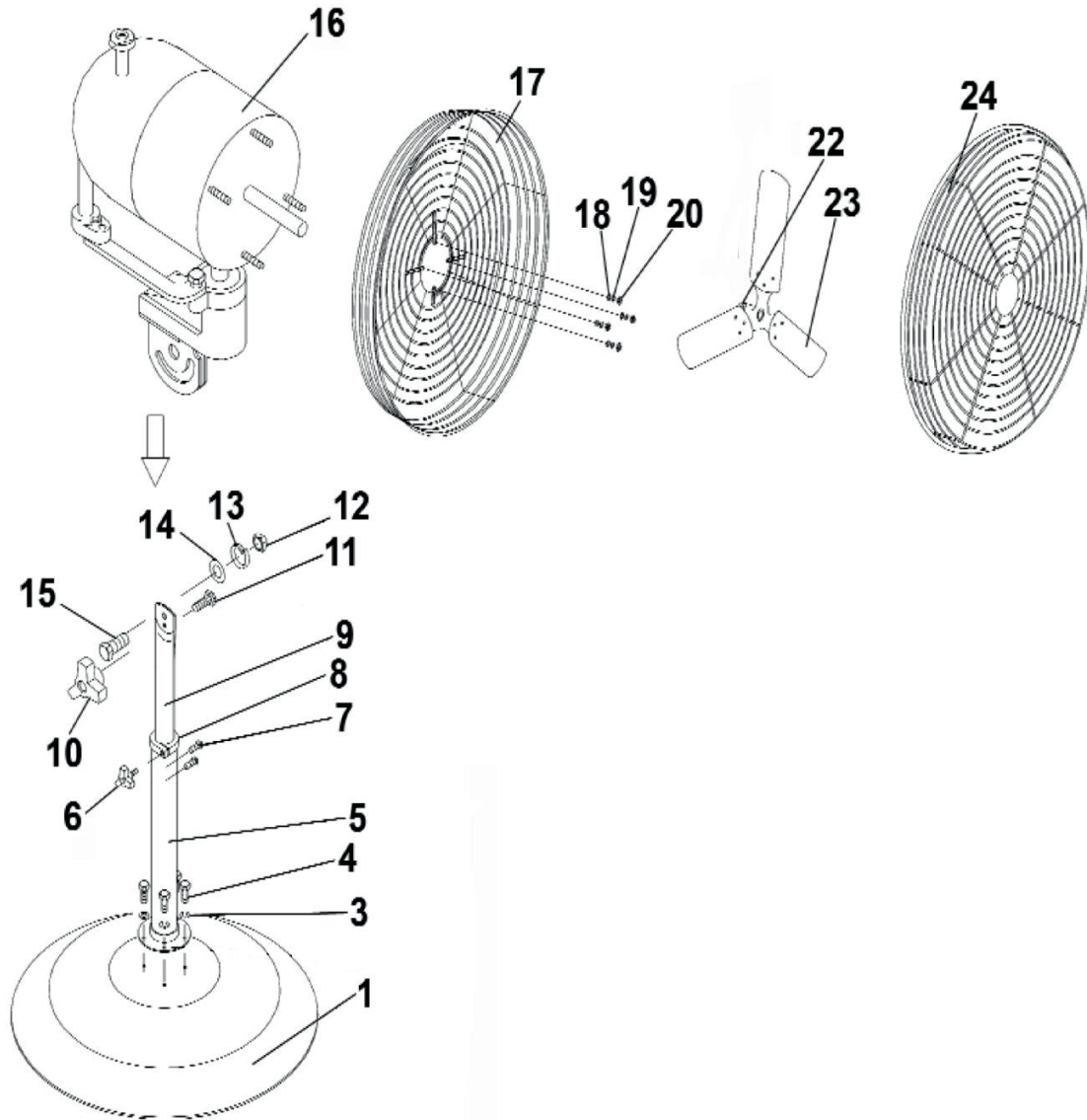




Parts Information:
**Industrial High Velocity Oscillating
 Pedestal Fan 30" 230V
 Model No: HVSF30**



Item	Part No.	Description
1	HVSF24.01	BASE
3	SWM6.SB	SPRING WASHER M6 BLACK(SINGLE)
4	SS612.SB	HEX HEAD SET SCREW M6x12mm BLACK
5	HVSF24.05	TUBULAR STAND (OUTER)
6	HVSF24.06	SET KNOB
7	HVSF24.07	SET SCREW
8	HVSF24.08	CONNECTOR
9	HVSF24.09	TUBULAR STAND (INNER)
10	HVSF24.10	POSITIONING KNOB
11	HVSF24.11	POSITIONING SCREW
12	SN12.SB	STEEL NUT M12 BLACK (SINGLE)
13	SWM5.SB	SPRING WASHER M5 BLACK (SINGLE)
14	HVSF24.14	BLACK REPAIR WASHER M5x15

Item	Part No.	Description
15	SS1230.SB	HEX HEAD SET SCREW M12x30mm SINGLE BLACK
16	HVSF30.16	MOTOR
17	HVSF30.17	REAR GUARD
18	RW519.S	REPAIR WASHER M5x19 (SINGLE)
19	SWM5.SB	SPRING WASHER M5 BLACK (SINGLE)
20	SN5.SB	STEEL NUT M5 BLACK (SINGLE)
21	HVSF30.21	ALLEN KEY
22	GSM810.S	GRUB SCREW M8x10 (SINGLE)
23	HVSF30.23	BLADE (1 SET)
24	HVSF30.24	FRONT GUARD
25	HVSF24.25	FLANGE (not shown)

NOTE: It is our policy to continually improve products and as such we reserve the right to alter data, specifications and component parts without prior notice.

IMPORTANT: No liability is accepted for incorrect use of product.

WARRANTY: Guarantee is 12 months from purchase date, proof of which will be required for any claim.

Sealey Group, Kempson Way, Suffolk Business Park, Bury St Edmunds, Suffolk. IP32 7AR



01284 757500



01284 703534



sales@sealey.co.uk



www.sealey.co.uk