

Face milling cutters, 45°

For SEET 12T3... indexable milling inserts

ORION[®]

Application:

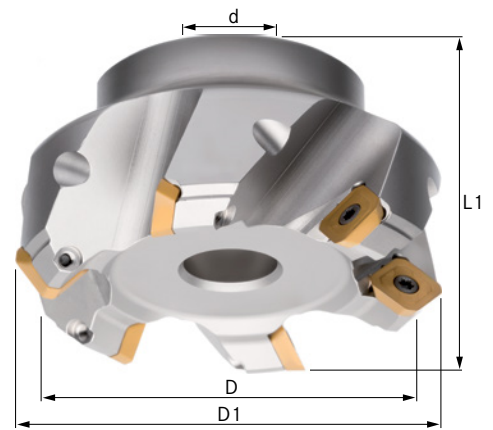
For universal use in all materials, predestined for cast processing.

Execution:

- Nickel-plated supports
- Long-term tested support design
- Normal and fine pitch
- Clamping screw tightening torque (indexable insert) M3.5 = 3.9 Nm

Advantage:

- Highly positive indexable milling inserts for low-vibration, steady cutting
- Outstanding value for money



| | |
|-----------------------------------|------------------|
| Art. no. | 16003 203 |
| Brand | ORION |
| Manufacturer Part Number | 16003203 |
| Min. cutting edge diameter | 100 mm |
| Max. cutting edge diameter | 107 mm |
| Length | 50 mm |
| Bore diameter | 32 mm |
| max. ap | 6 mm |
| Number of cutting edges | 5 PCS |
| Gross Weight | 2.283 kg |
| Product Group | 148 |

EAN

4039247532285

