

DRAPER[®]

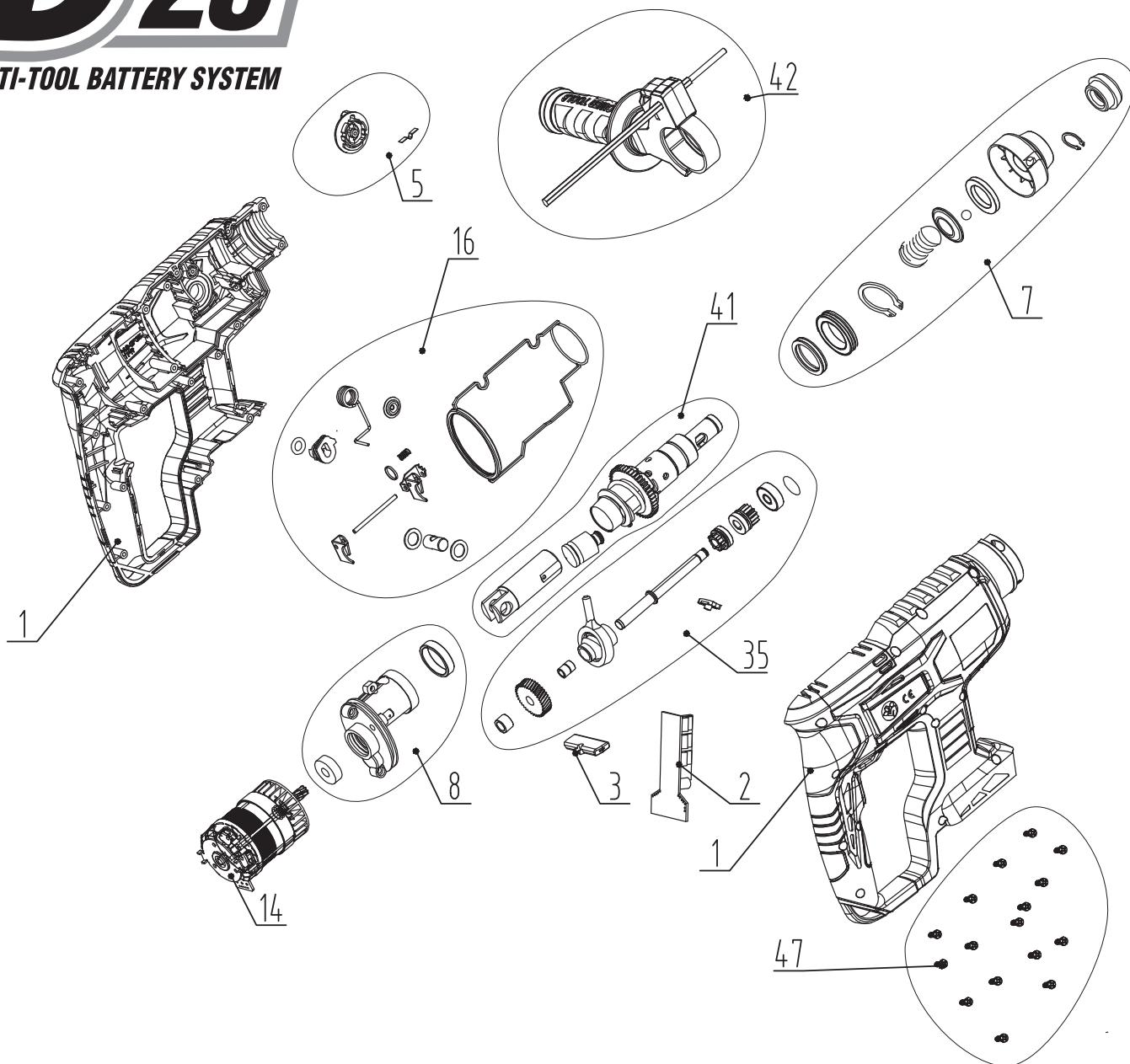
20V BRUSHLESS

GB

SDS+ ROTARY HAMMER DRILL

00592 / 55517 - D20SDSD1.7JSET / D20SDSD1.7J
SPARE PARTS DRAWING

D20
MULTI-TOOL BATTERY SYSTEM



KEY No.	PART No.	STOCK No.	DESCRIPTION
1	YD20SDSD1.7J-1	97231	Housing
2	YD20SDSD1.7J-2	97232	PCB
3	YD20SDSD1.7J-3	97233	Forward/reverse button
5	YD20SDSD1.7J-5	97235	Function select switch & spring
7	YD20SDSD1.7J-7	97237	Sleeve and assembly
8	YD20SDSD1.7J-8	97238	Gear box and sleeve

KEY No.	PART No.	STOCK No.	DESCRIPTION
14	YD20SDSD1.7J-14	97244	Motor
16	YD20SDSD1.7J-16	97246	Trigger assembly
35	YD20SDSD1.7J-35	97265	Clutch assembly
41	YD20SDSD1.7J-41	97271	Front gear assembly
42	YD20SDSD1.7J-42	97272	Auxiliary handle
47	YD20SDSD1.7J-47	97275	Casing screws (set)

Helpline: +44 (0) 23 8049 4344 Sales Desk: +44 (0) 23 8049 4333 General Enquiries: +44 (0) 23 8026 6355 internet: drapertools.com email: sales@drapertools.com