

MATERIAL

Aluminium, epoxy resin coating, glossy finish.

COLOUR

RAL 9002 white.

END CAPS

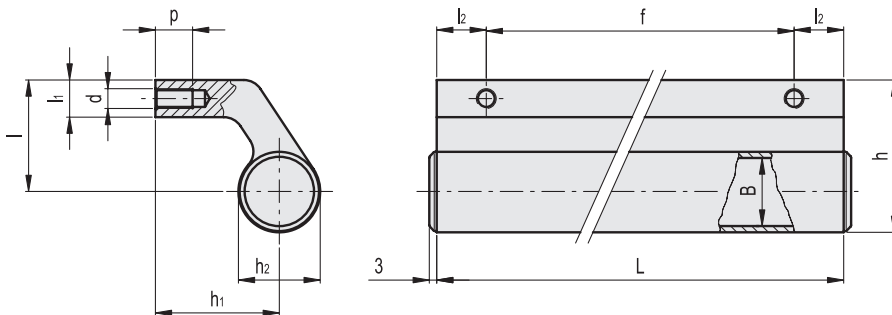
Glass-fibre reinforced polyamide based (PA) technopolymer, white colour similar to RAL 9002.

STANDARD EXECUTION

Threaded blind holes.

FEATURES AND APPLICATIONS

This handle, of white colour, has been conceived for applications on medical and hospital equipment and on food processing machines whose parts, for hygienic reasons, must be frequently cleaned. Its solid shape without cavities prevents unhealthy residues from depositing. Its glossy surface allows a perfect cleaning.



Code	f	d	p	L	B	h	h1	h2	l	l1	l2	⚖️
RHW3-33.210.9002	210	M8	15	250	28	61.5	50	33	45	15	20	876
RHW3-33.310.9002	310	M8	15	350	28	61.5	50	33	45	15	20	1183

- 1
- 2
- 3
- 4
- 5
- 6
- 7
- 8
- 9
- 10
- 11
- 12
- 13
- 14
- 15
- 16
- 17
- 18

Lift & Pull handles