

EC centrifugal fan - RadiCal

backward curved, single inlet

ebm-papst Mulfingen GmbH & Co. KG

Bachmühle 2 · D-74673 Mulfingen

Phone +49 7938 81-0

Fax +49 7938 81-110

info1@de.ebmpapst.com

www.ebmpapst.com

Limited partnership · Headquarters Mulfingen

County court Stuttgart · HRA 590344

General partner Elektrobau Mulfingen GmbH · Headquarters Mulfingen

County court Stuttgart · HRB 590142

Nominal data

Type	R3G133-RA01-03	
Motor	M3G045-AI	
Phase		1~
Nominal voltage	VAC	230
Nominal voltage range	VAC	200 .. 240
Frequency	Hz	50/60
Type of data definition		ml
Speed (rpm)	min ⁻¹	3770
Power input	W	27
Current draw	A	0.27
Min. ambient temperature	°C	-25
Max. ambient temperature	°C	60

ml = Max. load · me = Max. efficiency · fa = Running at free air · cs = Customer specs · cu = Customer unit
Subject to alterations



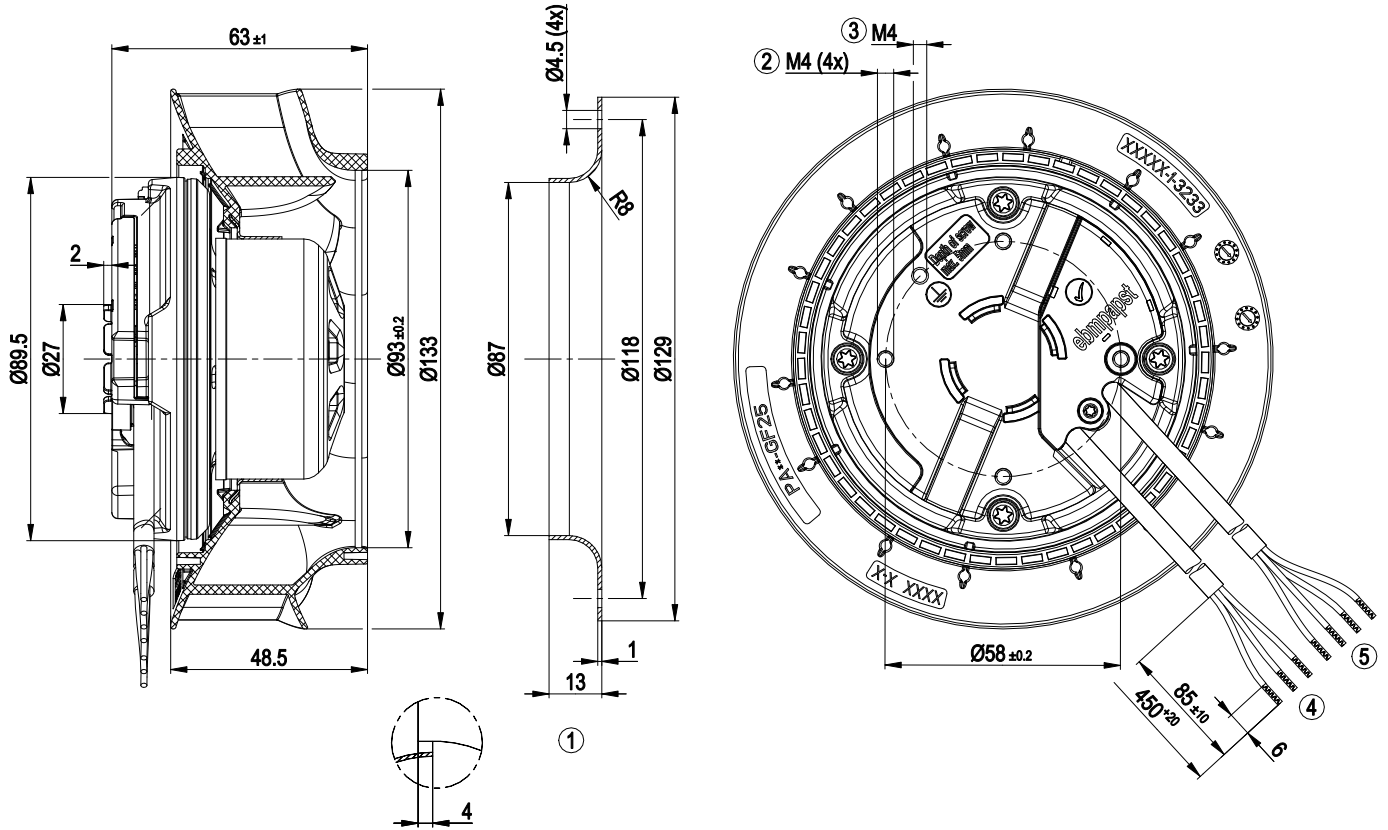
Technical features

Mass	0.5 kg
Size	133 mm
Surface of rotor	Thick layer passivated
Material of electronics housing	Die-cast aluminium
Material of impeller	PA plastic
Number of blades	7
Direction of rotation	Clockwise, seen on rotor
Type of protection	IP 54
Insulation class	"B"
Humidity (F)/environmental protection class (H)	H1
Max. permissible ambient motor temp. (transp./ storage)	+ 80 °C
Min. permissible ambient motor temp. (transp./storage)	- 40 °C
Mounting position	Any
Condensate discharge holes	None, open rotor
Operation mode	S1
Motor bearing	Ball bearing
Technical features	<ul style="list-style-type: none"> - Output 10 VDC, max. 1.1 mA - Tach output - Output limit - Motor current limit - Soft start - Control input 0-10 VDC / PWM - Control interface with SELV potential safely disconnected from the mains - Overvoltage detection - Over-temperature protected electronics / motor - Line undervoltage detection
EMC interference immunity	Acc. to EN 61000-6-2 (industrial environment)
EMC harmonics	Acc. to EN 61000-3-2/3
EMC interference emission	Acc. to EN 61000-6-3 (household environment)
Touch current acc. IEC 60990 (measuring network Fig. 4, TN system)	<= 3.5 mA
Motor protection	Locked-rotor protection
Cable exit	Variable
Protection class	I (if protective earth is connected by customer)
Product conforming to standard	EN 60335-1; CE
Approval	CCC; C22.2 Nr.77 + CAN/CSA-E60730-1; UL 1004-7 + 60730; EAC

EC centrifugal fan - RadiCal

backward curved, single inlet

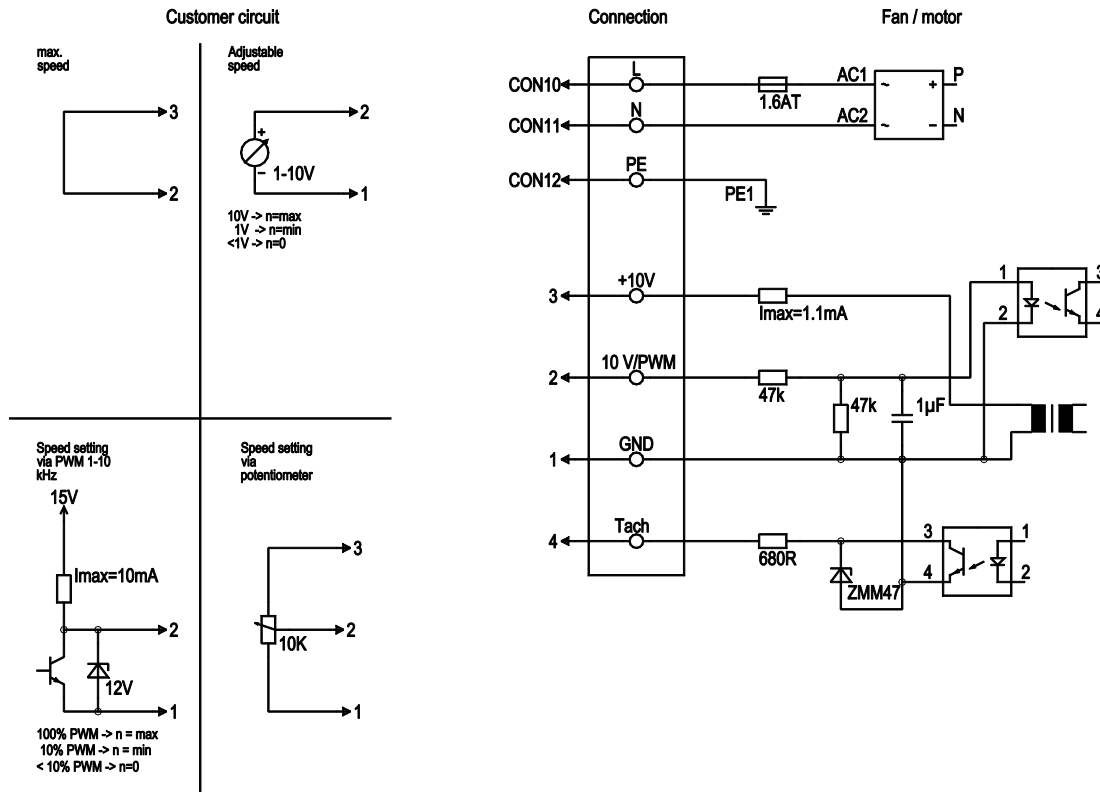
Product drawing



1	Accessory part: Inlet nozzle 09566-2-4013, not included in scope of delivery
2	Depth of screw max. 5 mm
3	Depth of screw max. 5 mm
4	Connection line PVC AWG20, 3x lead tips crimped
5	Connection line PVC AWG22, 4x lead tips crimped

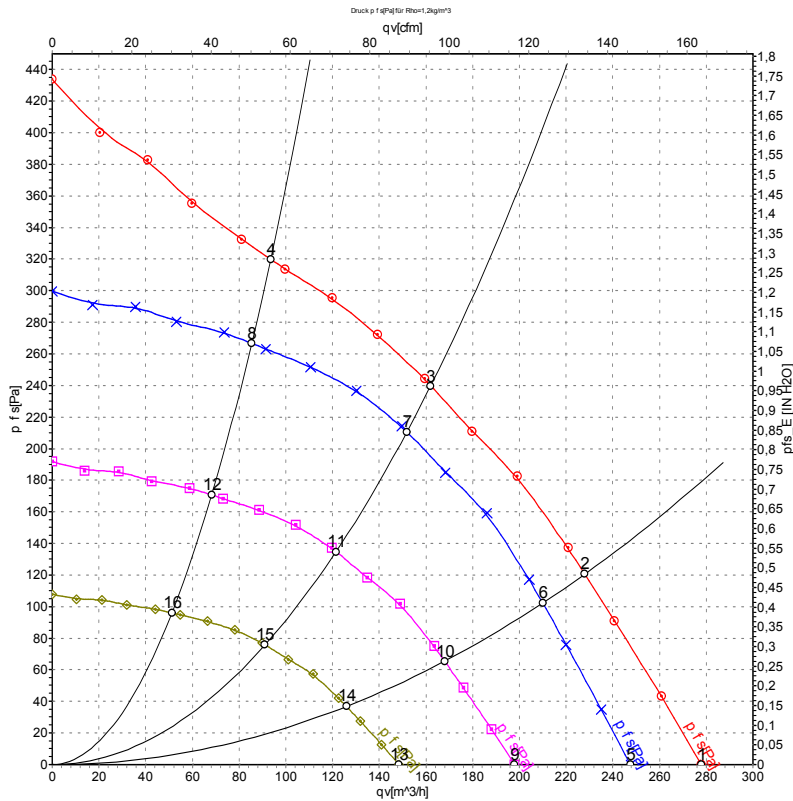


Connection screen



No.	Conn.	Designation	Colour	Function / assignment
	CON10	L	black	Power supply 230 VAC, 50-60 Hz, see type plate for voltage range
	CON11	N	blue	Neutral conductor
	CON12	PE	green/yellow	Protective earth
	1	GND	blue	GND - Connection for control interface
	2	0- 10V PWM	yellow	Control input 0 - 10 V or PWM, electrically isolated
	3	10V/ max 1.1mA	red	Voltage output 10V/ 1.1mA, electrically isolated, not short-circuit-proof.
	4	Tach	white	Tach output: open collector, 1 pulse per revolution, electrically isolated

Charts: Air flow 50 Hz



Measurement: LU-131806-1

Air performance measured as per ISO 5801 Installation category A. For detailed information on the measuring set-up, please contact ebmpapst. Suction-side noise levels: LwA measured as per ISO 13347 / LpA measured with 1m distance to fan axis. The values given are valid under the measuring conditions mentioned above and may vary according to the actual installation situation. With any deviation from the standard set-up, the specific values have to be checked and reviewed with the unit installed.

Measured values

	U	f	n	P _{ed}	I	LpA _{in}	LwA _{in}	q _v	P _{fs}	q _v	P _{fs}
	V	Hz	min ⁻¹	W	A	dB(A)	dB(A)	m ³ /h	Pa	cfm	inH ₂ O
1	230	50	3930	24	0.23	58	66	280	0	165	0.00
2	230	50	3800	26	0.26	54	63	230	120	135	0.48
3	230	50	3770	27	0.27	52	61	160	240	95	0.96
4	230	50	3835	26	0.25	56	65	95	320	55	1.28
5	230	50	3500	17	0.16	55	64	250	0	145	0.00
6	230	50	3500	20	0.20	53	61	210	102	125	0.41
7	230	50	3500	22	0.22	51	59	150	211	90	0.85
8	230	50	3500	19	0.19	54	63	85	267	50	1.07
9	230	50	2800	8.5	0.08	50	59	200	0	115	0.00
10	230	50	2800	10	0.10	48	57	170	66	100	0.26
11	230	50	2800	11	0.11	46	55	120	135	70	0.54
12	230	50	2800	9.9	0.10	49	59	70	171	40	0.69
13	230	50	2100	3.6	0.04	44	53	150	0	85	0.00
14	230	50	2100	4.4	0.04	42	50	125	37	75	0.15
15	230	50	2100	4.8	0.05	39	48	90	76	55	0.31
16	230	50	2100	4.2	0.04	43	52	50	96	30	0.39

U = Supply voltage · f = Frequency · n = Speed (rpm) · P_{ed} = Power input · I = Current draw · LpA_{in} = Sound pressure level inlet side · LwA_{in} = Sound power level inlet side · q_v = Air flow
P_{fs} = Pressure increase

