

## Cylindrical Handles • rotating

24530.0050

### Product Description

#### Material

##### Axle part

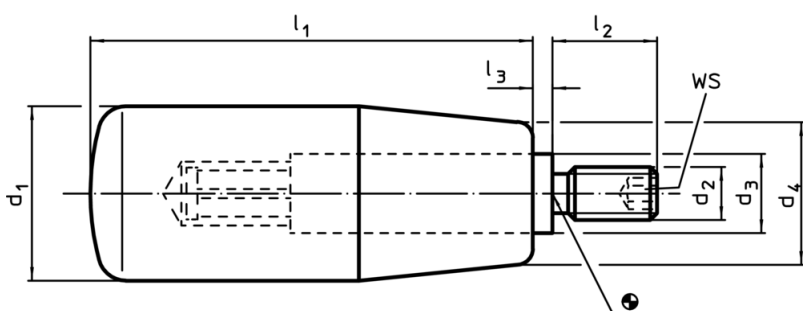
- Steel, zinc-plated by galvanization

##### Cylindrical handle

- Thermosetting plastic PF 31, black



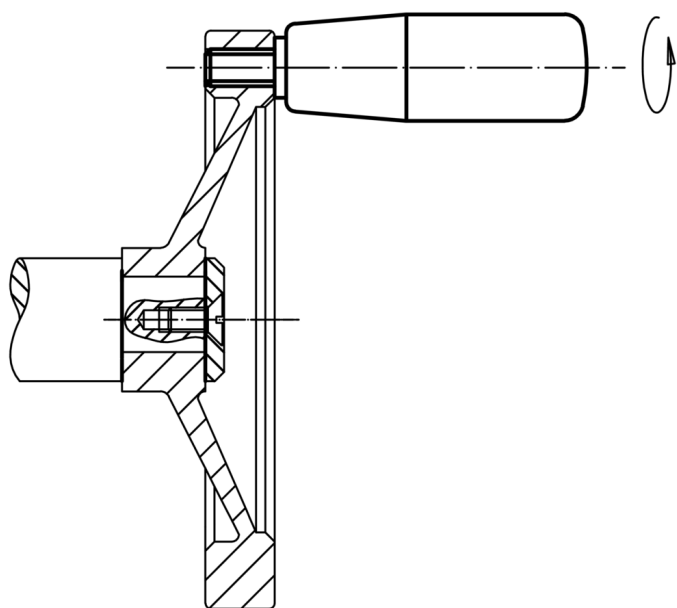
### Drawing



### Order information

Dimensions							WS	🌡️ max. [°C]	📦 [g]	Art. No.
d <sub>1</sub>	d <sub>2</sub>	d <sub>3</sub>	d <sub>4</sub> [mm]	l <sub>1</sub>	l <sub>2</sub>	l <sub>3</sub>	[mm]			
Thermoset, steel										
26	M8	13	21	80	16	2.5	4	110	107	24530.0050

### Application example



## Compliance

### RoHS compliant

Contains lead - compliant according to exceptions 6a / 6b / 6c

### Contains SVHC substances >0,1% w/w

Contains lead - SVHC list [REACH] as of 10.06.2022

### Contains Proposition 65 substances



Lead can cause cancer and reproductive harm from exposure  
<https://www.P65Warnings.ca.gov/>

### Free from Conflict Minerals

This product does not contain any substances designated as "conflict minerals" such as tantalum, tin, gold or tungsten from the Democratic Republic of Congo or adjacent countries.