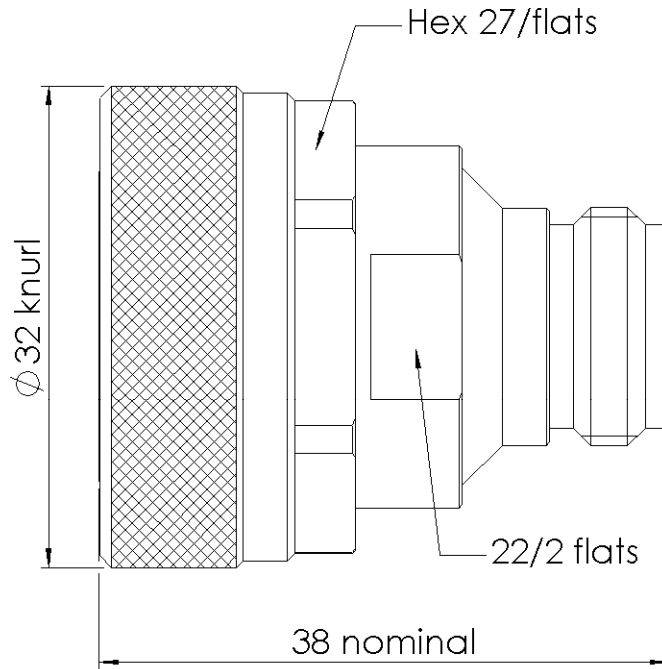


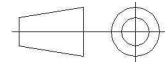
N FEMALE - 7/16 MALE STRAIGHT ADAPTER

R191.722.000

Series : **ADAPTER**



All dimensions are in mm.



COMPONENTS	MATERIALS	PLATING (µm)
BODY	BRASS	-
CENTER CONTACT	BERYLLIUM COPPER	SILVER PASSIVATED OVER COPPER
OUTER CONTACT	BRASS	SILVER PASSIVATED OVER COPPER
INSULATOR	PTFE	
GASKET	SILICONE RUBBER	
OTHERS PARTS	BRASS	BBR
-	-	-
-	-	-

Issue : 1238 D

In the effort to improve our products, we reserve the rights to make changes judged to be necessary.



N FEMALE - 7/16 MALE STRAIGHT ADAPTER

R191.722.000

Series : **ADAPTER**

PACKAGING

Standard	Unit	Other
1	-	Contact us

SPECIFICATION

ELECTRICAL CHARACTERISTICS

Impedance	50	Ω
Frequency	0-7.5	GHz
VSWR	1.06 + 0,0000	x F(GHz) Maxi
Insertion loss	0.03	\sqrt{F} (GHz) dB Maxi
RF leakage	- (NA)	- F(GHz)) dB Maxi
Voltage rating	1400	Veff Maxi
Dielectric withstanding voltage	2500	Veff mini
Insulation resistance	5000	M Ω mini

ENVIRONMENTAL

Operating	-55/+155	$^{\circ}$ C
Hermetic seal	NA	Atm.cm3/s
Panel leakage	NA	

OTHER CHARACTERISTICS

VSWR:1.03 max at 0-3GHz
 PIM3<-120dBm under 2 carriers of +43dBm

MECHANICAL CHARACTERISTICS

Center contact retention		
Axial force – Mating end	68	N mini
Axial force – Opposite end	68	N mini
Torque	NA	N.cm mini
Recommended torque		
Mating	N	0 N.cm
	7/16	3000 N.cm
	-	0 N.cm
Panel nut	NA	N.cm
Mating life	500	Cycles mini
Weight	85,8000	g

Issue : 1238 D

In the effort to improve our products, we reserve the rights to make changes judged to be necessary.

