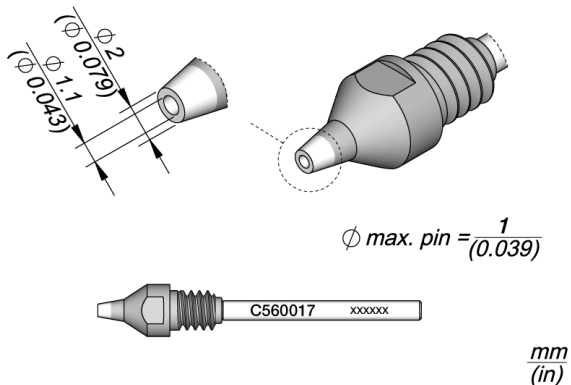


JBC C560017

Through-hole Desoldering Tip Ø 1.1

JBC Long Life Tips offer instant heat up, excellent heat transfer and great durability.



REFERENCE

C560017

SPECIFICATIONS

Net weight 0,006 kg (0.01lb)

WEIGHT AND DIMENSIONS

6 gr (0.01 lb)

19 gr (0.04 lb)

Copyright © 2024 JBC Soldering S.L. | [Legal Notice](#) | [Privacy Policy](#) | [Terms and Conditions](#) | [Cookie policy](#) | [Internal Communication](#) | [RSS Feed](#) | [JBC Store](#) | [Contact Us](#)

CONNECTABLES

Compatible tools



DR560-A

Desoldering Iron