

DIN RAIL BOXES

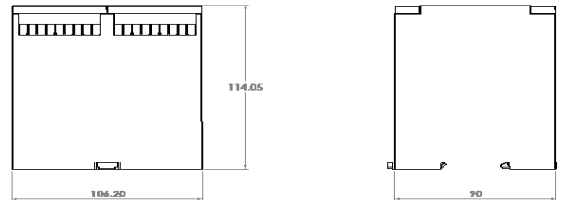
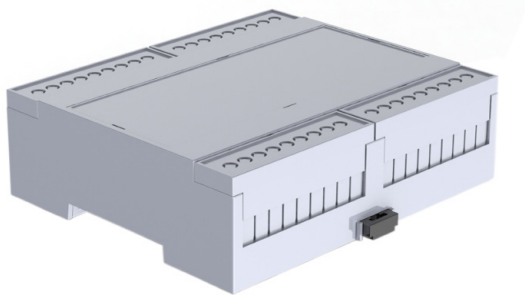
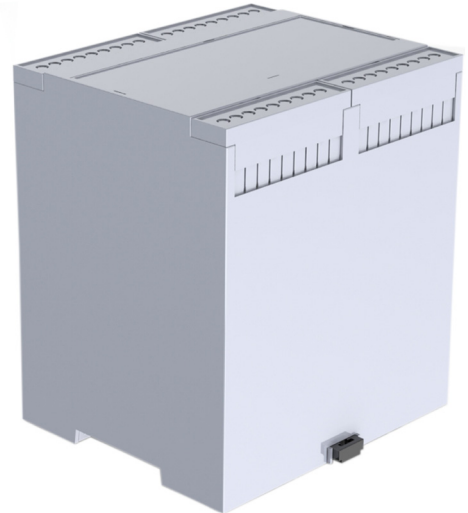
DIN Rail Instrument Boxes

Low Profile and Deep Profile DIN Rail Mount Instrument Boxes

- Designed for 35mm DIN Rail Mounting
- DIN Clips can also be used for surface mounting the housing
- Multiple snap-in PCB positions available (horizontal & vertical)
- X2 pillars in the base for screw fixing PCB
- Snap-fit Top Covers (See CNMB)
- Snap-fit Terminal Guards (See CNMB)
- Open Top and Solid Top versions available
- Low Profile and Deep Profile variants
- Enclosure base offers isolation from DIN rail
- Customisation options include cutouts, holes & vents
- Surfaces, Covers and Terminal guards easily customised and printed
- Moulded in UL94-V0 Polycarbonate

SPECIFICATION

Material	Base & Body- UL94-V0, Polycarbonate Clips- POM
Standard colours	RAL 7035
Standard unit includes	Body, base & clips
Accessories	Terminal Guards and Covers (See CNMB)



PART NO.	DESCRIPTION
CDIB/6/L2	CDIB, Size 6, Low Profile, Open Top, Open Sides
CDIB/6ST/L2	CDIB, Size 6, Low Profile, Solid Top, Open Sides
CDIB/6/D2	CDIB, Size 6, Deep Profile, Open Top, Open Sides
CDIB/6ST/D2	CDIB, Size 6, Deep Profile, Solid Top, Open Sides

UNIVERSAL ENCLOSURES

HAND HELD CASES

HEAVY DUTY ENCLOSURES

DIN RAIL BOXES

INTERFACE SUPPORTS

CONTROL STATIONS

DIECAST & METAL BOXES

DESKTOP & INSTRUMENT CASES

POTTING BOXES

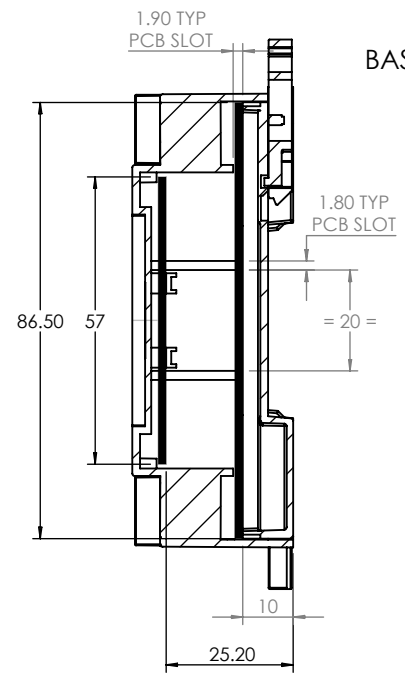
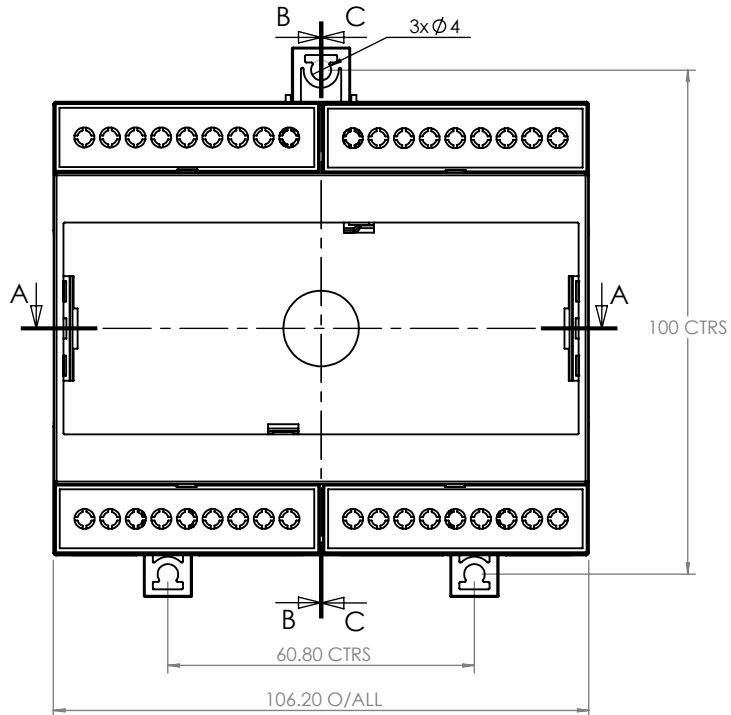
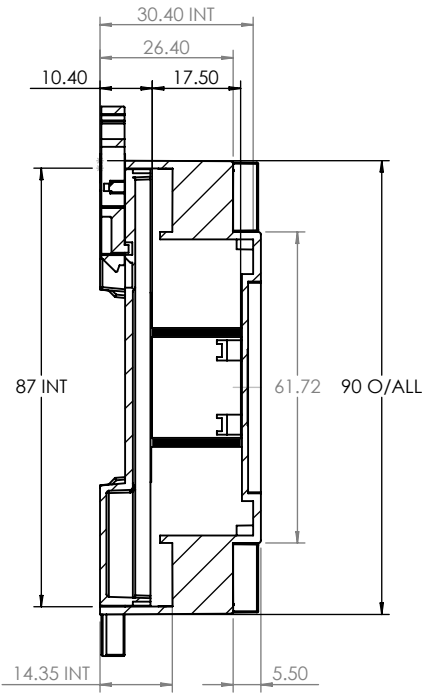
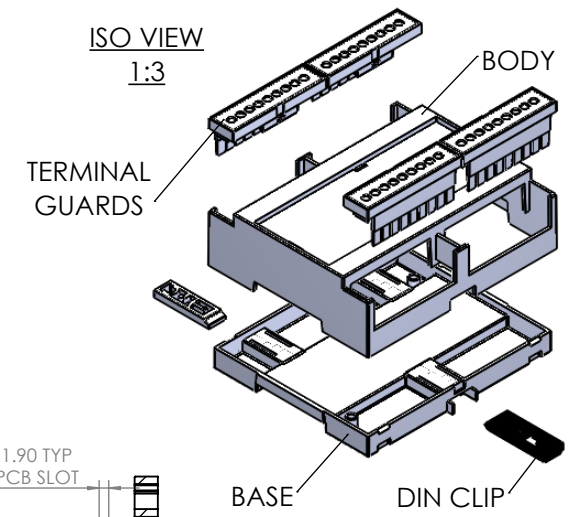
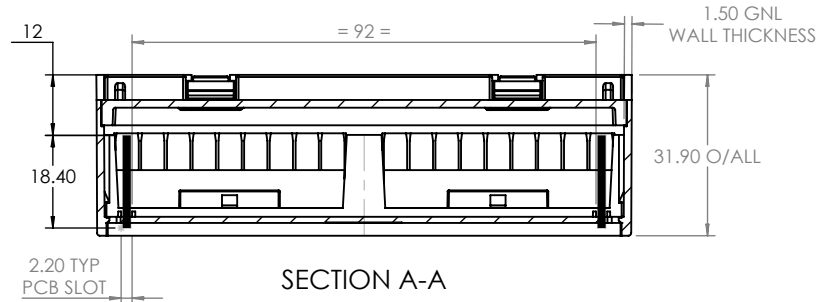
19" ENCLOSURES

19" CABINETS

DEVELOPMENT BOARD ENCLOSURES

CUSTOM SIZED ENCLOSURES

CUSTOM SERVICES



UNLESS OTHERWISE SPECIFIED:
DIMENSIONS ARE IN MILLIMETERS

DO NOT SCALE DRAWING

REVISION. ○

GENERAL TOLERANCES +/- 0.2

TITLE: GENERAL ASSEMBLY DRAWING
FOR CDIB SERIES

FINISH. FINE TEXTURE

	NAME	SIGNED	DATE
DRAWN	MATTHEW WALLACE	MJW	27/04/15
CHK'D	IAN PAGANO	IP	29/04/15

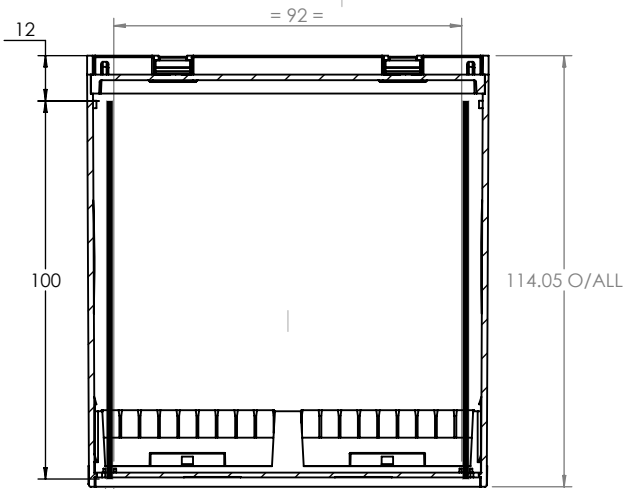
MATERIAL. UL94-V0 PC
RAL: 7035

DWG NO. CDIB-6ST-L2-KIT A4

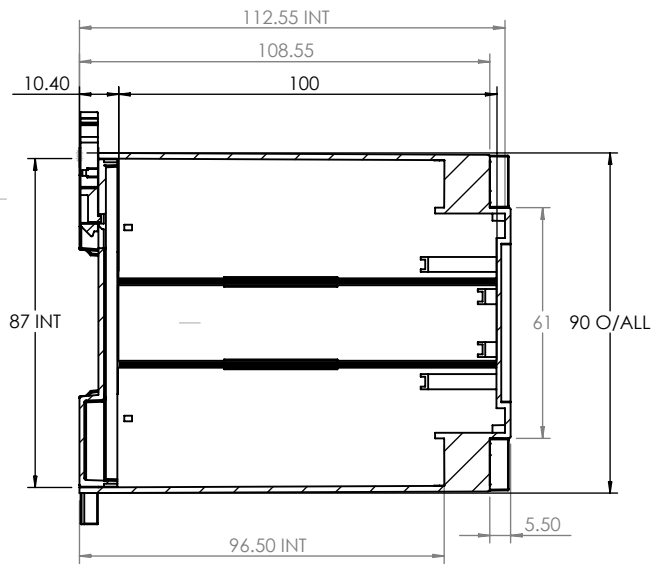
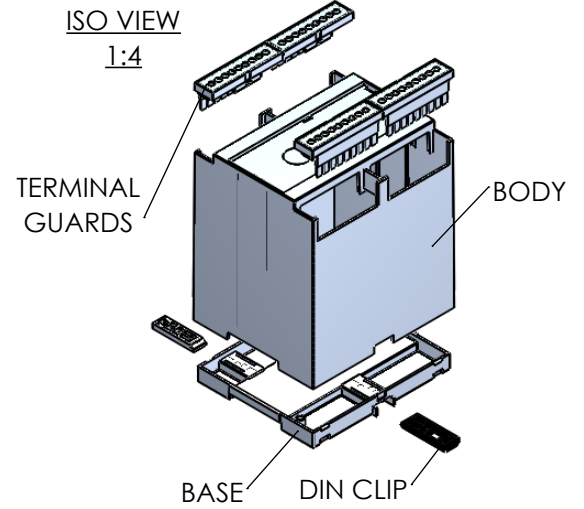
PROJECTION.

SCALE. 2:3

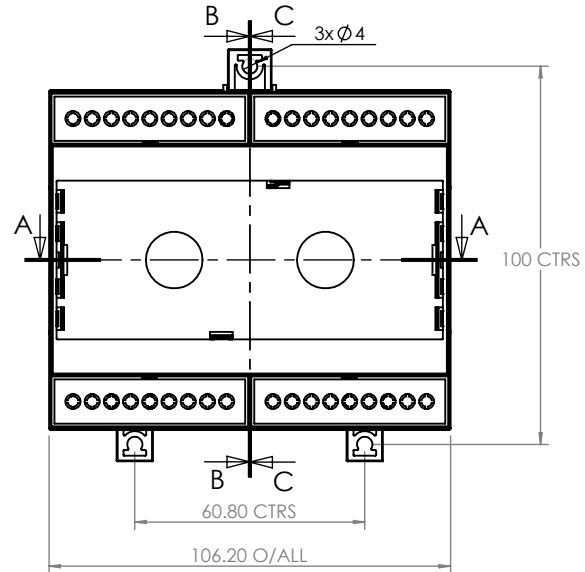
SHEET 1 OF 1



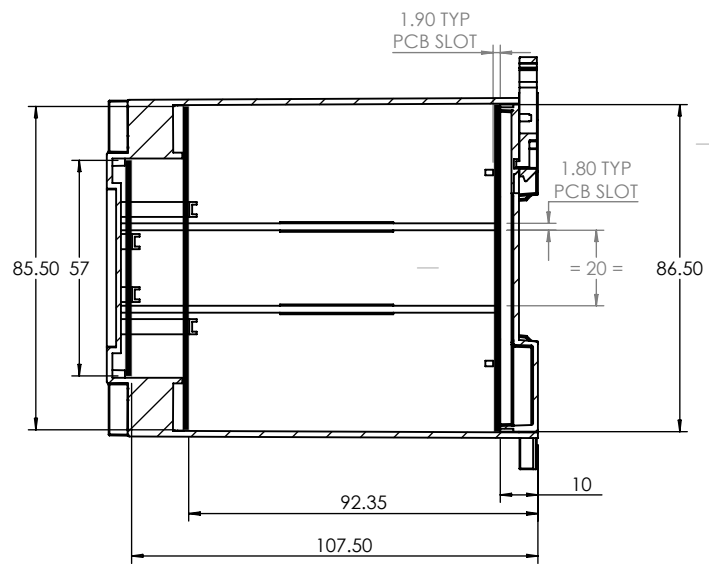
SECTION A-A



SECTION B-B



DIN CLIPS ARE SHOWN IN WALL MOUNTING POSITION



SECTION C-C



UNLESS OTHERWISE SPECIFIED:
DIMENSIONS ARE IN MILLIMETERS
GENERAL TOLERANCES +/- 0.2
FINISH: FINE TEXTURE

DO NOT SCALE DRAWING REVISION: ○

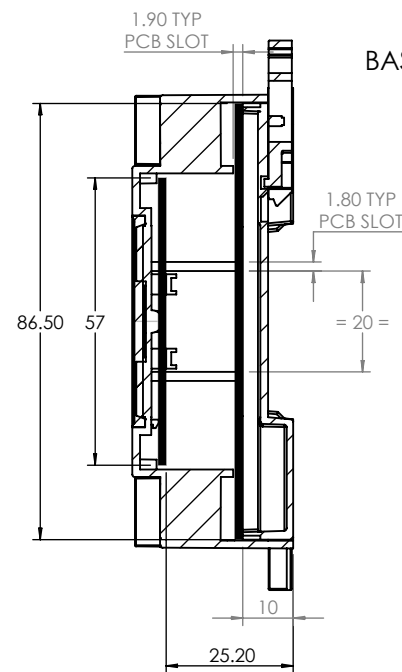
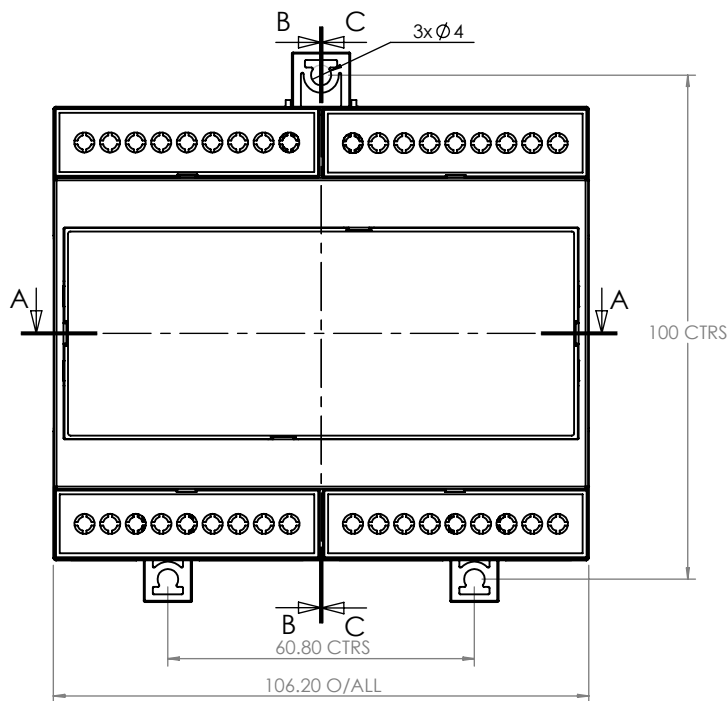
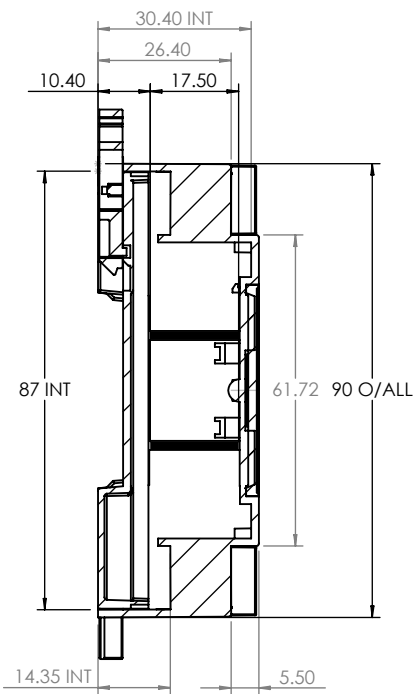
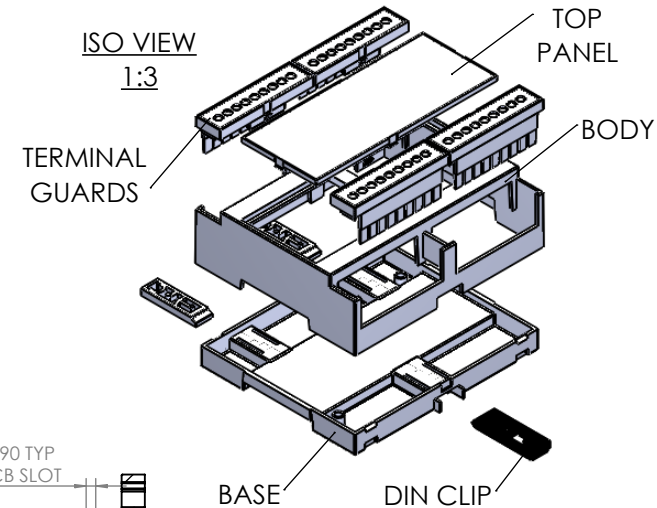
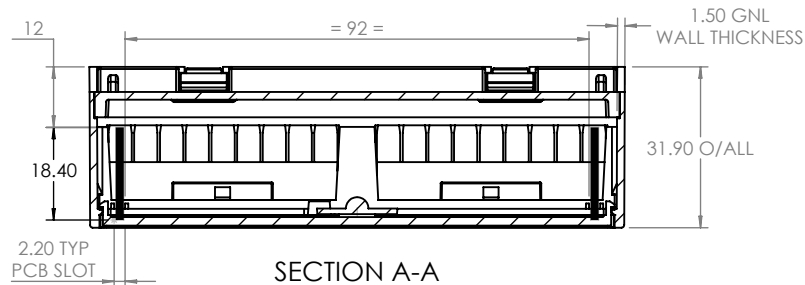
TITLE: GENERAL ASSEMBLY DRAWING FOR CDIB SERIES

	NAME	SIGNED	DATE
DRAWN	MATTHEW WALLACE	MJW	28/04/15
CHKD	IAN PAGANO	IP	29/04/15

MATERIAL: UL94-V0 PC RAL: 7035
PROJECTION:

DWG NO. CDIB-6ST-D2-KIT
SCALE: 1:2
SHEET 1 OF 1

A4



DIN CLIPS ARE SHOWN IN WALL MOUNTING POSITION



UNLESS OTHERWISE SPECIFIED:
DIMENSIONS ARE IN MILLIMETERS

DO NOT SCALE DRAWING

REVISION. ○

GENERAL TOLERANCES +/- 0.2

TITLE: GENERAL ASSEMBLY DRAWING
FOR CDIB SERIES

FINISH. FINE TEXTURE

DRAWN	NAME	SIGNED	DATE
MATTHEW WALLACE	MJW	27/04/15	

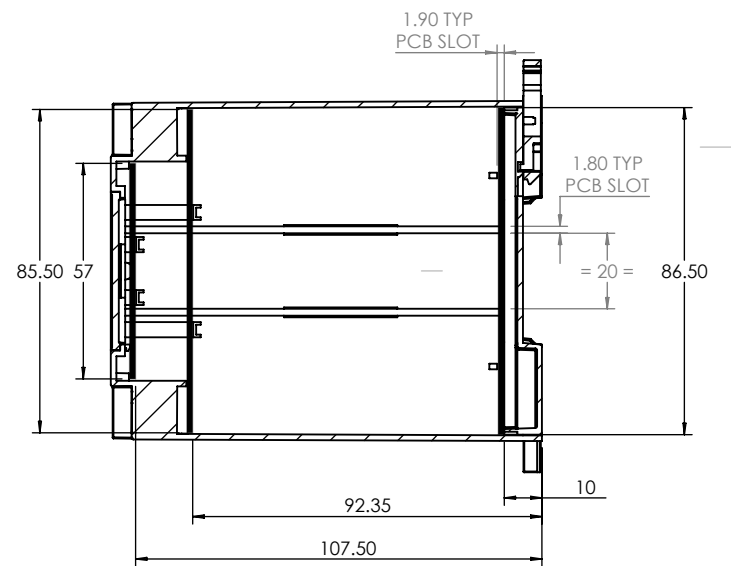
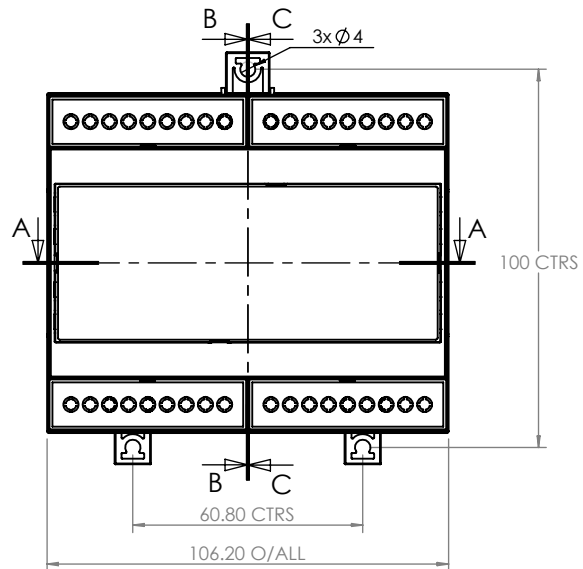
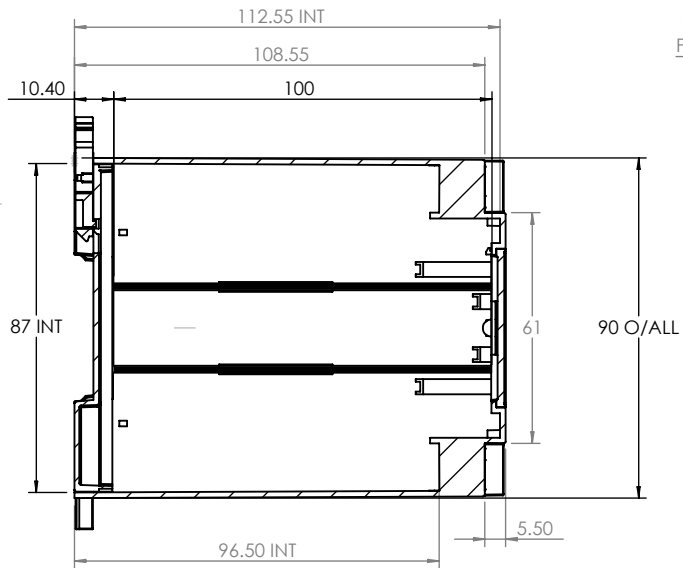
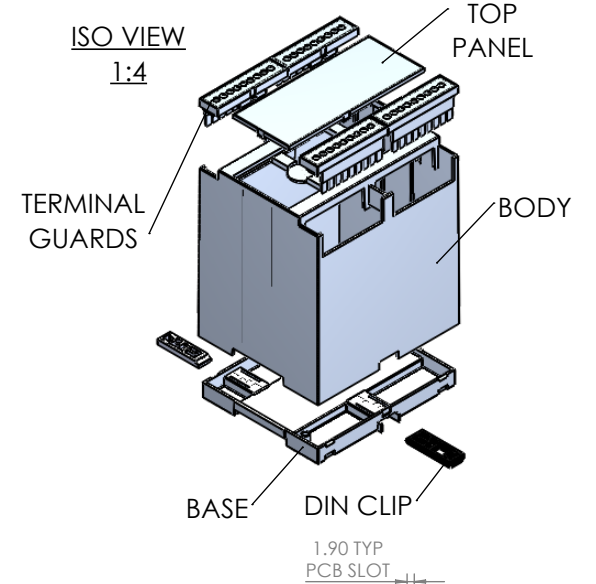
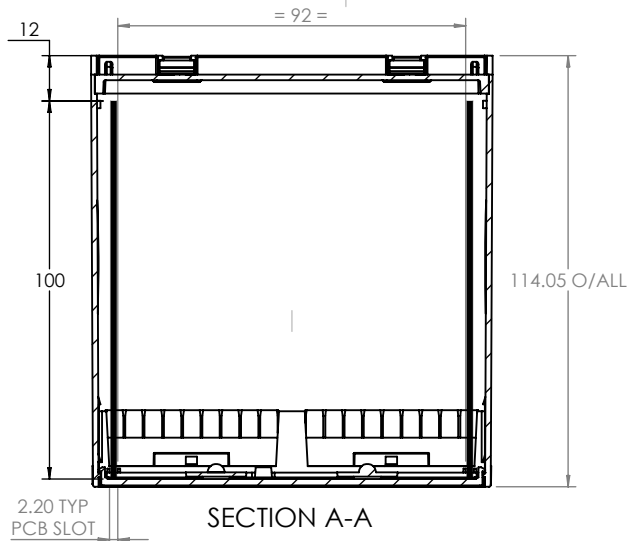
MATERIAL. UL94-V0 PC
RAL: 7035

DWG NO.	CDIB-6-L2-KIT	A4
---------	---------------	----

CHK'D	NAME	SIGNED	DATE
IAN PAGANO	IP	29/04/15	

PROJECTION.

SCALE. 2:3	SHEET 1 OF 1
------------	--------------



DIN CLIPS ARE SHOWN IN WALL MOUNTING POSITION



UNLESS OTHERWISE SPECIFIED:
DIMENSIONS ARE IN MILLIMETERS

DO NOT SCALE DRAWING

REVISION. ○

GENERAL TOLERANCES +/- 0.2

TITLE: GENERAL ASSEMBLY DRAWING
FOR CDIB SERIES

FINISH: FINE TEXTURE

DRAWN	NAME	SIGNED	DATE
MATTHEW WALLACE	MJW	28/04/15	

MATERIAL: UL94-V0 PC
RAL: 7035

DWG NO.	SCALE	SHEET
CDIB-6-D2-KIT	1:2	1 OF 1

CHKD	NAME	SIGNED	DATE
IAN PAGANO	IP	29/04/15	

PROJECTION.

A4