



### Model Number

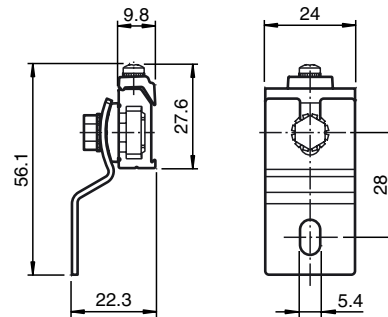
**OMH-SLCT-04**

Mounting bracket including adjustment  
(with loose bearing)

### Features

- Mounting bracket
- Simple and fast mounting

### Dimensions



### Technical data

#### General specifications

Setting angle  $\pm 7^\circ$

#### Mechanical specifications

Material aluminum

Mass approx. 34 g

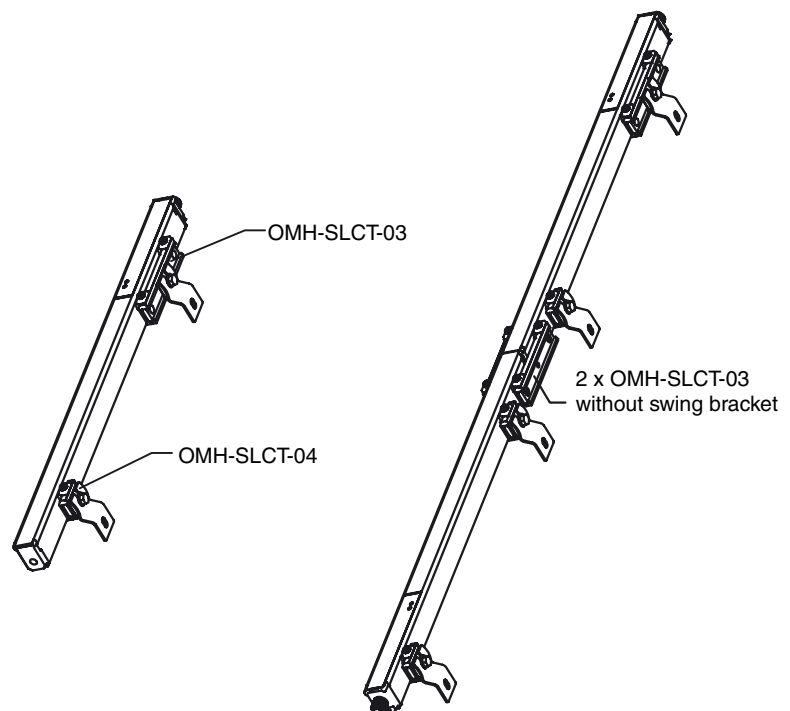
#### General information

Scope of delivery Mounting bracket ; 1 Slotted plate ; 4 T-slides ; Screw kit ; Screwdriver

#### Suitable series

Safety Series SLCT  
SLCS

### Mounting note

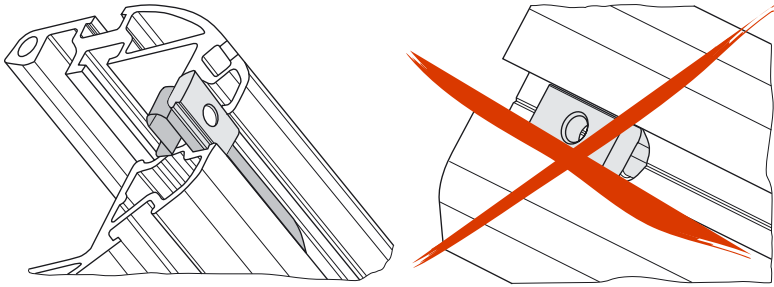


### Slotted plate mounting aid

Each package comes with a slotted plate.

To prevent the t-slides from clipping into the upper hole, cover the hole with the slotted plate.

Then slide the t-slides into the guide.



Release date: 2013-09-23 10:09 Date of issue: 2013-10-07 205993\_eng.xml