



2NO+2NC CONTACTOR,AC3:22KW 175-280V
AC/DC,VARISTOR, 4-POLE, 2NO+2NC, SIZE S2,
SCREW TERMINAL 1NO+1NC INTEGRATED

Figure similar

product brand name	SIRIUS
Product designation	3RT2 contactor

General technical data:

Insulation voltage		
• Rated value	V	690
Degree of pollution		3
Surge voltage resistance Rated value	kV	6
Mechanical service life (switching cycles)		
• of the contactor typical		10 000 000
• of the contactor with added electronics-compatible auxiliary switch block typical		5 000 000
• of the contactor with added auxiliary switch block typical		10 000 000
Thermal short-time current restricted to 10 s	A	420
Protection class IP		
• on the front		IP20
Equipment marking		
• acc. to DIN EN 61346-2		Q
• acc. to DIN EN 81346-2		Q

Main circuit:

Number of poles for main current circuit		4
Number of NC contacts for main contacts		2
Number of NO contacts for main contacts		2
Operating current		
• at AC-1		

— up to 690 V at ambient temperature 40 °C Rated value	A	70
— up to 690 V at ambient temperature 60 °C Rated value	A	60
• at AC-2 at AC-3 at 400 V		
— per NO contact Rated value	A	41
— per NC contact Rated value	A	41
Operating current with 1 current path		
• at DC-1		
— at 24 V Rated value	A	60
— at 110 V Rated value	A	4.5
— at 220 V Rated value	A	1
— at 440 V Rated value	A	0.4
• at DC-3 at DC-5		
— at 24 V per NC contact Rated value	A	35
— at 24 V per NO contact Rated value	A	35
— at 110 V per NC contact Rated value	A	2.5
— at 110 V per NO contact Rated value	A	2.5
— at 220 V per NC contact Rated value	A	1
— at 220 V per NO contact Rated value	A	1
— at 440 V per NC contact Rated value	A	0.1
— at 440 V per NO contact Rated value	A	0.1
Operating current with 2 current paths in series		
• at DC-1		
— at 24 V Rated value	A	55
— at 110 V Rated value	A	45
— at 220 V Rated value	A	5
— at 440 V Rated value	A	1
• at DC-3 at DC-5		
— at 110 V per NC contact Rated value	A	25
— at 110 V per NO contact Rated value	A	25
— at 220 V per NC contact Rated value	A	5
— at 220 V per NO contact Rated value	A	5
— at 24 V per NC contact Rated value	A	55
— at 24 V per NO contact Rated value	A	55
— at 440 V per NC contact Rated value	A	0.27
— at 440 V per NO contact Rated value	A	0.27
Operating power		
• at AC-1 at 400 V Rated value	kW	46
Operating power		
• at AC-1		
— at 230 V Rated value	kW	26

- at AC-2 at AC-3
 - at 230 V per NC contact Rated value
 - at 230 V per NO contact Rated value
 - at 400 V per NC contact Rated value
 - at 400 V per NO contact Rated value

kW	15
kW	15
kW	22
kW	22

Control circuit/ Control:

Type of voltage of the control supply voltage		AC/DC
Control supply voltage with AC		
• at 50 Hz Rated value	V	175 ... 280
• at 60 Hz Rated value	V	175 ... 280
Control supply voltage for DC		
• Rated value	V	175 ... 280
Operating range factor control supply voltage rated value of the magnet coil with AC		
• at 50 Hz		0.8 ... 1.1
• at 60 Hz		0.8 ... 1.1
Operating range factor control supply voltage rated value of the magnet coil for DC		0.8 ... 1.1
Design of the surge suppressor		with varistor
Apparent pick-up power of the magnet coil with AC	V·A	110
Apparent holding power of the magnet coil with AC	V·A	2
Closing power of the magnet coil for DC	W	70
Holding power of the magnet coil for DC	W	1.5
Inductive power factor		
• with closing power of the coil		0.72
• with the holding power of the coil		1
Control version of the switch operating mechanism		UC

Auxiliary circuit:

Number of NC contacts		
• for auxiliary contacts		
— instantaneous contact		1
Number of NO contacts		
• for auxiliary contacts		
— instantaneous contact		1
Product expansion Auxiliary switch		Yes
Operating current at AC-15		
• at 230 V Rated value	A	6
• at 400 V Rated value	A	3
• at 690 V Rated value	A	1
Operating current		
• at DC-12 at 125 V Rated value	A	2
• at DC-12 at 220 V Rated value	A	1

<ul style="list-style-type: none"> • at DC-12 at 600 V Rated value • at DC-13 at 125 V Rated value • at DC-13 at 220 V Rated value • at DC-13 at 600 V Rated value 	A	0.15
	A	0.9
	A	0.3
	A	0.1
Operating current		
<ul style="list-style-type: none"> • at DC-12 <ul style="list-style-type: none"> — at 60 V Rated value — at 110 V Rated value • at DC-13 <ul style="list-style-type: none"> — at 24 V Rated value — at 60 V Rated value — at 110 V Rated value 	A	6
	A	3
	A	10
	A	2
	A	1
Contact reliability of the auxiliary contacts		1 faulty switching per 100 million (17 V, 1 mA)

UL/CSA ratings:		
Contact rating of the auxiliary contacts acc. to UL		A600 / P600

Short-circuit:		
Design of the fuse link		
<ul style="list-style-type: none"> • for short-circuit protection of the main circuit <ul style="list-style-type: none"> — with type of assignment 1 required — with type of assignment 2 required • for short-circuit protection of the auxiliary switch required 		gL/gG NH 3NA, DIAZED 5SB, NEOZED 5SE: 160 A gL/gG NH 3NA, DIAZED 5SB, NEOZED 5SE: 80 A fuse gL/gG: 10 A

Installation/ mounting/ dimensions:		
mounting position		+/-180° rotation possible on vertical mounting surface; can be tilted forward and backward by +/- 22.5° on vertical mounting surface
Mounting type		screw and snap-on mounting onto 35 mm standard mounting rail according to DIN EN 50022
<ul style="list-style-type: none"> • Side-by-side mounting 		Yes
Height	mm	114
Width	mm	75
Depth	mm	130
Required spacing		
<ul style="list-style-type: none"> • with side-by-side mounting <ul style="list-style-type: none"> — forwards — Backwards — upwards — downwards — at the side • for grounded parts <ul style="list-style-type: none"> — forwards 	mm	0
	mm	0
	mm	0
	mm	0
	mm	0
	mm	0

— Backwards	mm	0
— upwards	mm	50
— at the side	mm	10
— downwards	mm	50
• for live parts		
— forwards	mm	0
— Backwards	mm	0
— upwards	mm	50
— downwards	mm	50
— at the side	mm	10

Connections/ Terminals:

Type of electrical connection		
• for main current circuit		screw-type terminals
• for auxiliary and control current circuit		screw-type terminals
Type of connectable conductor cross-section		
• for main contacts		
— solid		2x (1 ... 35 mm ²), 1x (1 ... 50 mm ²)
— single or multi-stranded		2x (1 ... 35 mm ²), 1x (1 ... 50 mm ²)
— finely stranded with core end processing		2x (1 ... 25 mm ²), 1x (1 ... 35 mm ²)
• for AWG conductors for main contacts		2x (18 ... 2), 1x (18 ... 1)
• for auxiliary contacts		
— solid		2x (0.5 ... 1.5 mm ²), 2x (0.75 ... 2.5 mm ²)
— single or multi-stranded		2x (0,5 ... 1,5 mm ²), 2x (0,75 ... 2,5 mm ²)
— finely stranded with core end processing		2x (0.5 ... 1.5 mm ²), 2x (0.75 ... 2.5 mm ²)
• for AWG conductors for auxiliary contacts		2x (20 ... 16), 2x (18 ... 14)
Apparent pick-up power of the magnet coil with AC		
• at 50 Hz	V·A	110
• at 60 Hz	V·A	110

Safety related data:

B10 value with high demand rate acc. to SN 31920		1 000 000
Proportion of dangerous failures		
• with low demand rate acc. to SN 31920	%	40
• with high demand rate acc. to SN 31920	%	73
Failure rate [FIT] with low demand rate acc. to SN 31920	FIT	100
Product function Mirror contact acc. to IEC 60947-4-1		Yes
Protection against electrical shock		finger-safe when touched vertically from front acc. to IEC 60529

Mechanical data:

Size of contactor		S2
--------------------------	--	----

Ambient conditions:

Installation altitude at height above sea level maximum	m	2 000
Ambient temperature		
• during operation	°C	-40 ... +70
• during storage	°C	-55 ... +80

Certificates/ approvals:

General Product Approval

other



[Environmental Confirmations](#)

Further information

Information- and Downloadcenter (Catalogs, Brochures,...)

<http://www.siemens.com/industrial-controls/catalogs>

Industry Mall (Online ordering system)

<http://www.siemens.com/industrymall>

Cax online generator

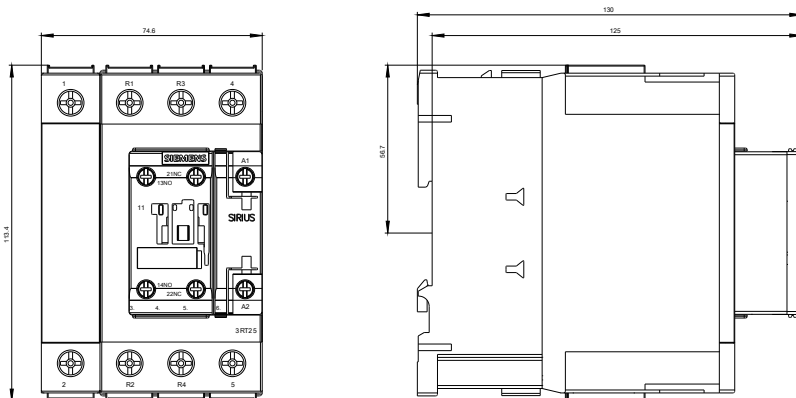
<http://support.automation.siemens.com/WW/CAXorder/default.aspx?lang=en&mlfb=3RT25361NP30>

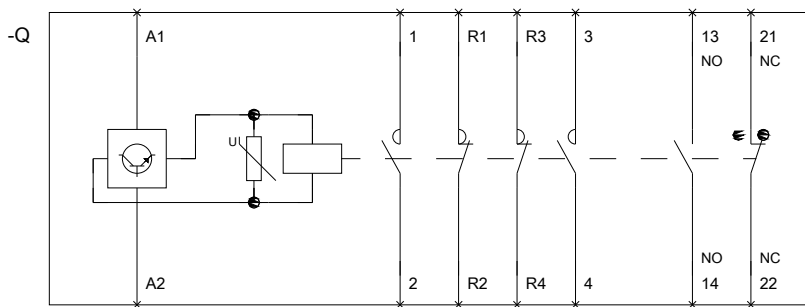
Service&Support (Manuals, Certificates, Characteristics, FAQs,...)

<http://support.automation.siemens.com/WW/view/en/3RT25361NP30/all>

Image database (product images, 2D dimension drawings, 3D models, device circuit diagrams, EPLAN macros, ...)

http://www.automation.siemens.com/bilddb/cax_de.aspx?mlfb=3RT25361NP30&lang=en





last modified:

11.03.2015