

Emergency Stop Switch

multicomp PRO

Specifications

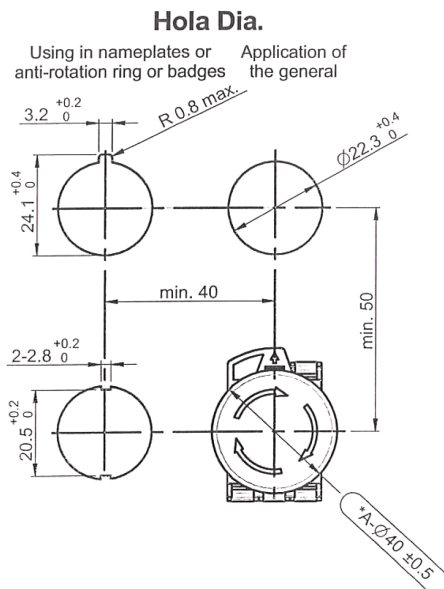
Mechanical life	: >0.3 million operations
Electrical life	: >0.1 million operations
Electrical durability	: 1,000,000 cycles AC-15, 230V/2A 1,000,000 cycles DC-13, 24V/1.5A
Rate insulation voltage	: 600V
Rated thermal current	: 10VA
Contact resistance	: 100 mΩ max. (at 1A 6-8V DC)
Insulation resistance	: 100 MΩ min. (at 500V DC)
Dielectric strength	: 2,500V AC 50/60 Hz for 1 min
Degree of protection	: Panel Front - IP66, Type 1, 4, 4X indoor & 13 Terminals - IP30 (under panel)
Storage temperature	: -40°C to 85°C
Operating temperature	: -25°C to 70°C (with no icing and condensation)
Approved standards	: UL508(CSA C22.2 No.14,158), A600 Q600, UL10599 EN 60947-5-1, EN60947-5-5, GB/T 14048.5
Operating humidity	: 45% to 85% RH
Wire diameter	: 14 AWG to 20 AWG, 2mm ² to 0.2mm ²
Stripping length	: 8mm

**RoHS
Compliant**

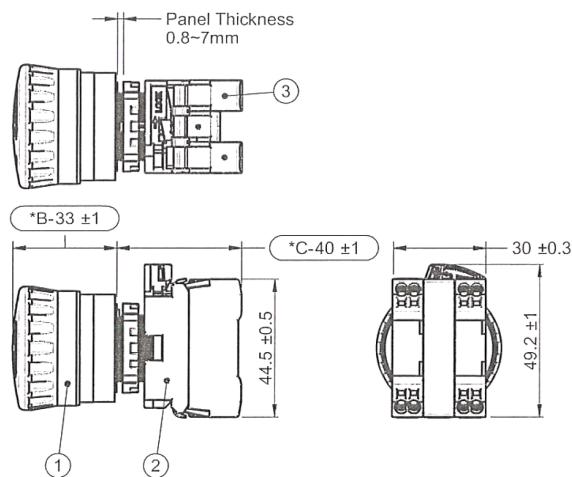
Contact Block Mounting Position

Configuration	Mounting	Position	Operation	
			Free	Push
02	1	NC	●	-
	2	x	-	-
	3	NC	●	-

Diagram



Emergency Stop Switch



Dimensions : Millimetres

Newark.com/multicomp-pro
Farnell.com/multicomp-pro
sg.element14.com/b/multicomp-pro

multicomp PRO

Emergency Stop Switch

multicomp PRO

Contact Ratings

Rated insulation voltage (Ui)		600V				
Rated terminal current (Ith)		10A				
AC 50/60 Hz	Rate Operation Voltage (Ue)	12V	24V	120V	240V	380V
	Resistive load AC-12 (Ie)	10A	10A	10A	6A	3.8A
	Inductive load AC-15 (Ie)	10A	10A	6A	3A	1.9V
DC	Rate Operation Voltage (Ue)	12V	24V	125V	250V	400V
	Resistive load DC-12 (Ie)	10A	10A	2.2A	1.1A	0.7A
	Inductive load DC-13 (Ie)	10A	5.8A	1.1A	0.55A	0.35A

Part Number Table

Description	Part Number
Emergency Stop Switch, 2NC, Right Rotation/Pull, Red	MP-AP2E-BVE02R

Important Notice : This data sheet and its contents (the "Information") belong to the members of the AVNET group of companies (the "Group") or are licensed to it. No licence is granted for the use of it other than for information purposes in connection with the products to which it relates. No licence of any intellectual property rights is granted. The Information is subject to change without notice and replaces all data sheets previously supplied. The Information supplied is believed to be accurate but the Group assumes no responsibility for its accuracy or completeness, any error in or omission from it or for any use made of it. Users of this data sheet should check for themselves the Information and the suitability of the products for their purpose and not make any assumptions based on information included or omitted. Liability for loss or damage resulting from any reliance on the Information or use of it (including liability resulting from negligence or where the Group was aware of the possibility of such loss or damage arising) is excluded. This will not operate to limit or restrict the Group's liability for death or personal injury resulting from its negligence. Multicomp Pro is the registered trademark of Premier Farnell Limited 2019.

Newark.com/multicomp-pro
Farnell.com/multicomp-pro
sg.element14.com/b/multicomp-pro

multicomp PRO