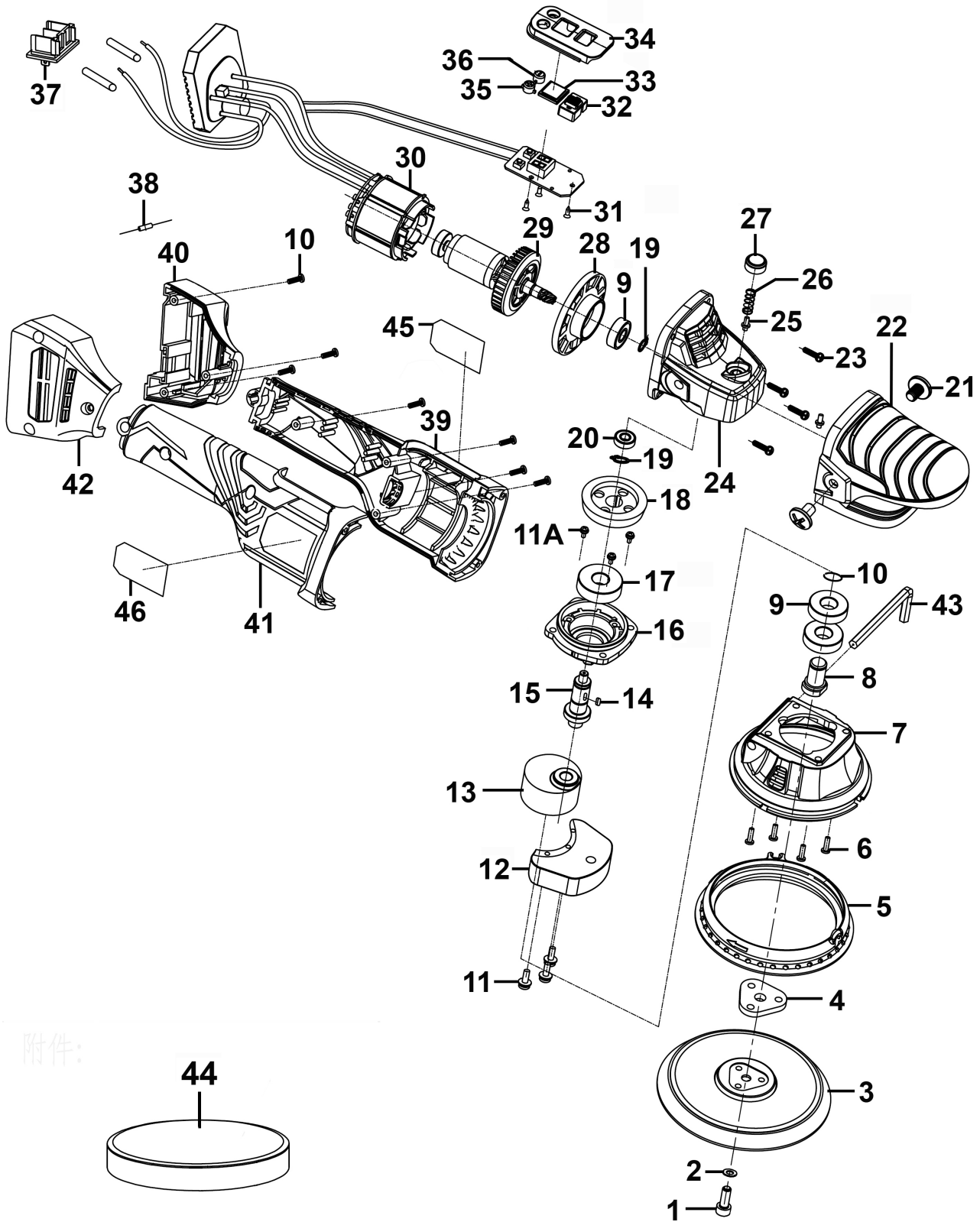
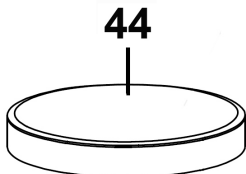




Parts Information:
Cordless Orbital Polisher Ø125mm 20V
Lithium-ion - Body Only
Model No: CP20VOP



附件:



NOTE: It is our policy to continually improve products and as such we reserve the right to alter data, specifications and component parts without prior notice. There may be alternative versions of this product, please contact us should you require this information.

IMPORTANT: No liability is accepted for incorrect use of product. Spare parts must be fitted by a competent person

WARRANTY: Guarantee is 12 months from purchase date, proof of which will be required for any claim.

Sealey Group, Kempson Way, Suffolk Business Park, Bury St Edmunds, Suffolk. IP32 7AR



01284 757500



01284 703534



sales@sealey.co.uk



www.sealey.co.uk



Parts Information:
**Cordless Orbital Polisher Ø125mm 20V
Lithium-ion - Body Only
Model No: CP20VOP**

Item	Part No.	Description
1	SCB816.SB	Socket Cap Bolt M8 x 16mm Black
2	CP20VOP.02	Tooth Washer 8mm
3	CP20VOP.03	Backing Pad (Velcro)
4	CP20VOP.04	Pad Support
5	CP20VOP.05	Protection Cover (B) '114 x 20'
6	MSP420.S	Machine Screw Pan Head Phillips M4 x 20mm
7	CP20VOP.07	Protection Cover (A) '102 x 41.6'
8	CP20VOP.08	Output Shaft (B)
9	B/6001-2RS	Bearing 6001-2rs
10	CP20VOP.10	Shaft Circlip 12mm
11	SFS414.S	Hex Head Flange Bolt M4 X 14 Zinc
11A	DAS150TV3-36	Rd Head S/T Screw M4 X 12 Black
12	CP20VOP.12	Eccentric Block (B)
13	CP20VOP.13	Eccentric Block (A)
14	CP20VOP.14	Flat Key 3x12
15	CP20VOP.15	Output Shaft (A)
16	CP20VOP.16	Front Cover
17	B/6201-2RS	Bearing 6201-2rs
18	CP20VOP.18	Gear
19	CP20VOP.19	Shaft Circlip 12mm
20	B/696ZZ	Bearing 696zz
21	CP20VOP.21	Positioning Stud ' 18x17xM8'
22	CP20VOP.22	Gear Case Cover
23	ERI700PV2-53	Rd Head S/T Screw M4 X 16 Black

Item	Part No.	Description
24	CP20VOP.24	Gear Case
25	CP20VOP.25	Self-Lock Button Pin
26	CP20VOP.26	Self-Lock Button Spring
27	CP20VOP.27	Self-Lock Button
28	CP20VOP.28	Middle Cover
29	CP20VOP.29	Rotor
30	CP20VOP.30	Stator
31	ERI700PV2-49	Rd Head S/T Screw M3 X 8 Black
32	CP20VOP.32	Switch Button
33	CP20VOP.33	PCB Transparent Cover
34	CP20VOP.34	PCB
35	CP20VOP.35	Switch Button '+'
36	CP20VOP.36	Switch Button '-'
37	CP20VOP.37	Battery Connection Plate
38	CP20VOP.38	Resistor
39	CP20VOP.39	Housing, Right Side
40	CP20VOP.40	Housing, Right Side (Lower)
41	CP20VOP.41	Housing, Left Side
42	CP20VOP.42	Housing, Left Side (Lower)
43	CP20VOP.43	Wrench
44	POLISHING MOP	Refer to Catalogue for Choices
45	CP20VOP.45	Label (for Right Side Housing)
46	CP20VOP.46	Label (for Left Side Housing)

NOTE: It is our policy to continually improve products and as such we reserve the right to alter data, specifications and component parts without prior notice. There may be alternative versions of this product, please contact us should you require this information.

IMPORTANT: No liability is accepted for incorrect use of product. Spare parts must be fitted by a competent person

WARRANTY: Guarantee is 12 months from purchase date, proof of which will be required for any claim.

Sealey Group, Kempson Way, Suffolk Business Park, Bury St Edmunds, Suffolk. IP32 7AR



01284 757500



01284 703534



sales@sealey.co.uk



www.sealey.co.uk