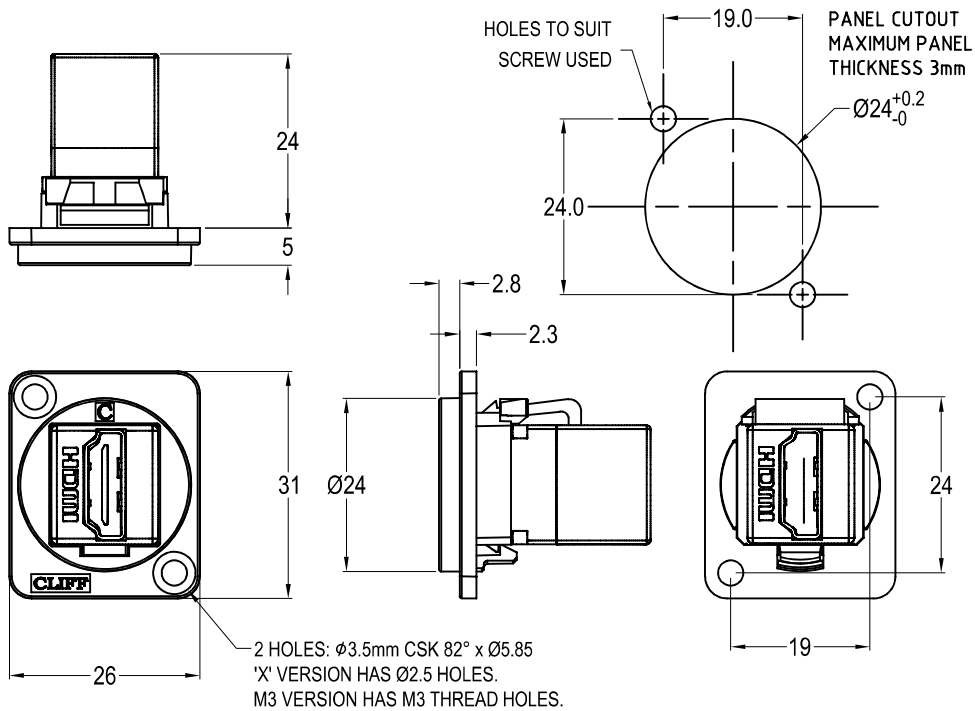




HDMI FEMALE - FEMALE FEEDTHROUGH CONNECTOR



Feedthrough Features

- Fits standard XLR Ø24mm cutout.
- No soldering or punch termination. Use standard cable for each connector style.
- Front or rear mounted.
- Low rear profile

General:

Please note: Functionality is affected by cable quality, length and cable wiring configuration.

Material:

1. Insert: ABS UL94 HB
2. Plastic Frame: Polyamide UL94 V2
3. Metal Frame: Diecast, Black or Nickel plated
4. Shell: Gold plated
5. Contacts: Gold Plated

VARIANTS

Part No.

- CP30200G** HDMI F-F Black plastic frame, CSK holes
CP30200GW HDMI F-F White plastic frame, CSK holes
CP30200GM HDMI F-F Nickel plated metal frame, CSK holes
CP30200GM3 HDMI F-F Nickel plated metal frame, M3 holes
CP30200GMB HDMI F-F Black metal frame, CSK holes
CP30200GM3B HDMI F-F Black metal frame, M3 holes
CP30200GX HDMI F-F Black plastic frame, PLAIN holes
CP30200GXW HDMI F-F White plastic frame, PLAIN holes