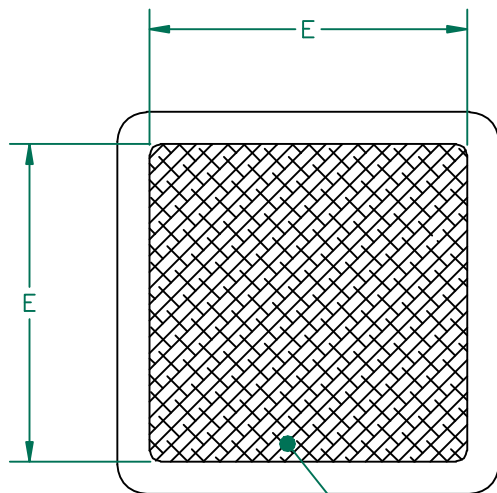


R 2.00 [.080]
4 PLCS



ADHESIVE TAPE

**UNCONTROLLED
DOCUMENT**

NOTES:

1. CORE: MP1040-1B0.
2. ADHESIVE: P/N 21228.
3. REFERENCE 3M TAPE 468MP ADHESIVE TRANSFER TAPE OR ENGINEER APPROVED ALTERNATIVE.

DIMENSIONS:

A	26.42 [1.040]	± 0.38 [.015]
B	26.42 [1.040]	± 0.38 [.015]
C	1.27 [.050]	± 0.15 [.006]
D	0.13 [.005]	TYP.
E	21.97 [.865]	TYP.

WEIGHT/1000 4.36 kgs [9.62 Lbs]

DIMENSIONS ARE IN mm [INCHES].				This print is the property of Laird Tech. and is loaned in confidence subject to return upon request and with the understanding that no copies shall be made without the written consent of Laird Tech. All rights to design or invention are reserved.		Laird TECHNOLOGIES	
G	CHANGE D DIMENSION	07/09/09	JRK	PROJECT/PART NUMBER:	REV	PART TYPE:	DRAWN BY:
F	REMOVE PULLTAB REVISE NOTE #3	06/12/09	JRK	MP1040-100	G	FERRITE PLATE	DTR
E	UPDATE COMPANY LOGO & NOTE 3	12/11/08	JRK	DATE:	SCALE:	MATERIAL:	
D	STANDARDIZE PRINT FORMAT	09/22/05	JRK	02/11/98	2 : 1	Ferrite	
C	RE-ACTIVATE PRINT	09/27/04	JRK	CAD #	TOOL #		
B	UPDATE PRINT FORMAT, ADD NOTE	08/25/99	JAJ	MP1040-100-G	P1040		
A	ORIGINAL DRAFT	02/11/98	DTR				
REV	DESCRIPTION	DATE	INT				