

3520 Max. 265 W

Power Supplies - switch mode



tech spec
BlueLine

- Fixed output voltages
- High efficiency and low standby power (ErP Directive)
- Fixed mains cable, 2-pin IEC 60320 available
- Short circuit proof, thermal protection
- Mounting bracket included
- ECO-design compliance: CoC Tier 2, DoE level VI, CEC, MEPS
- Custom specifications on request
- Approvals:
 - Home healthcare EN 60601-1-11 (fixed cord versions only)
 - Medically certified
 - Safety: EN 60601-1 ed. 3.1
 - EMC: EN 60601-1-2 ed. 4 (24V)
 - UL approved



For updates: see www.mascot.no



TECHNICAL SPECIFICATIONS *

GENERAL INPUT/OUTPUT

Load regulation:	<0.5%
Mains regulation:	<0.1%
Ripple:	< 20mV p-p
Efficiency (100% load):	> 92%
Switch frequency approx.:	65 kHz
Hold up time:	> 20ms
Temperature range	
• Operating:	-20 °C - +40 °C
• With derating:	+60 °C
• Storage:	-25 °C - +85 °C
Derating:	6.5W/ °C over 40 °C
Dimensions (LxWxH):	210 x 113 x 53mm
Weight:	1400 g

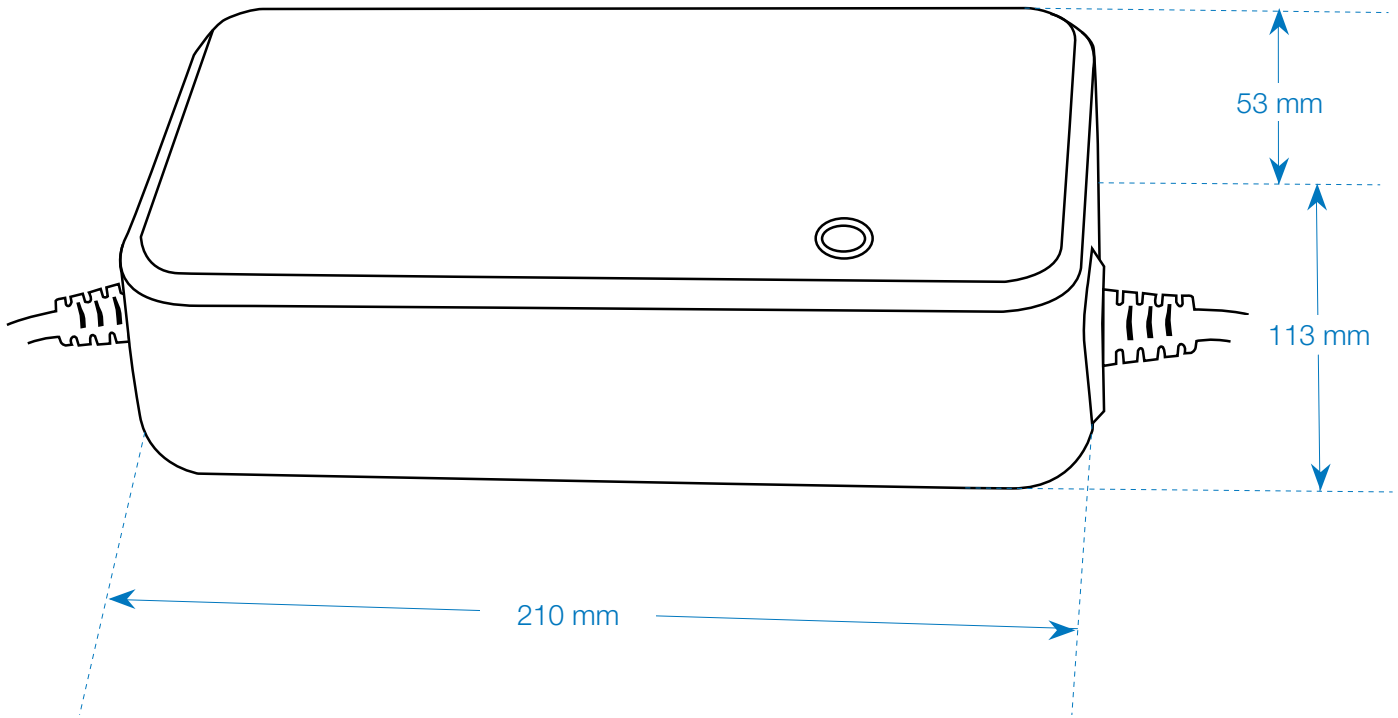
SAFETY PROTECTION EMC

Insulation class:	Class II
Insulation voltage	
Primary - secondary:	4000VAC / 5700VDC
Electrical safety std:	EN/IEC/ANSI 60601
EMC standards	EN 60601-1-2: 2015 (Edition 4)
Input terminal:	Fixed mains cable, 2-pin IEC 60320 available
Output terminal:	Sec. Cord without plug
IP-Code:	IP44 (IP40 w IEC 60320)

* Some technical specifications may differ for other voltage versions.

VERSIONS

Input (VAC)	Output (VDC)		Max. current (A)	Max. output power (W)
	Nom.	Adjustable		
198 - 264	12.5	12-13.2	17A (20A int.)	264
198 - 264	24	22-26	10A	265



Mounting bracket, part no. 205800

