



DATA SHEET	52104310
SKINDICHT® MR-M	valid from : 15.1.2016

The SKINDICHT® MR-M reducers enable the use of cable glands which outer thread is smaller than the already existing thread borings in machines, devices and housings.



Technical features:

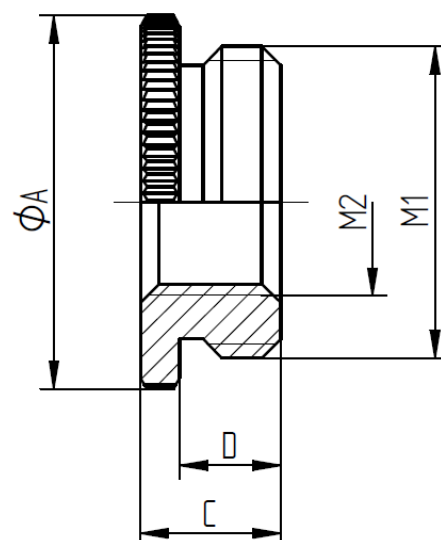
Material	Brass, nickel-plated (external thread M16x1,5 up to M72x2) Brass, bright (internal thread M80x2)
External thread	M16x1,5 up to M80x2 acc. to EN 60423
Internal thread	M12x1,5 up to M75x1,5 acc. to EN 60423

Norm references:



For more information please see our current catalogue.

External thread M1	Internal thread M2	Ø A [mm]	C [mm]	D [mm]	Article No.
M16x1,5	M12x1,5	20	8,5	6	52104310
M20x1,5	M12x1,5	24	9	6,5	52104311
M20x1,5	M16x1,5	24	9	6,5	52104312
M25x1,5	M16x1,5	30	10	7	52104313
M25x1,5	M20x1,5	30	10	7	52104314
M32x1,5	M20x1,5	37	11,5	8	52104315
M32x1,5	M25x1,5	37	11,5	8	52104316
M40x1,5	M25x1,5	46	12,5	9	52104317
M40x1,5	M32x1,5	46	12,5	9	52104318
M50x1,5	M32x1,5	56	14	10	52104319
M50x1,5	M40x1,5	56	14	10	52104320
M63x1,5	M40x1,5	68	14	10	52104321
M63x1,5	M50x1,5	68	14	10	52104322
M72x2	M63x1,5	78	19	12	52006575
M80x2	M75x1,5	86	19	12	52006579



elaborated by: PDP: T. Dvoulety	Document: DB52104310_1_EN	page 1 of 1
------------------------------------	---------------------------	-------------