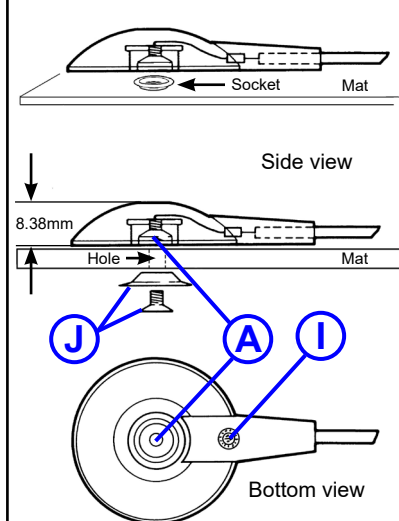


Installation Procedure Options



- Using existing snap on mat.
 - Remove screw from ground cord.
 - Attach ground cord to 10mm snap socket on mat.
- Permanent securing of ground cord with washer and screw supplied.
 - Remove screw from ground cord.
 - Punch hole through mat using 9.5mm diameter hole punch.
 - Use supplied counter sunk washer and screw to secure ground cord to mat.

Key:

- 10mm stud to ground floor mats.
- Moulded in black thermoplastic elastomer.
- High flex strand copper, 20 gauge, with PVC insulated jacket. 2.7mm outside diameter.
- M5 ring terminal on [60474](#). 10mm socket on [60488](#).
- Extra ring terminal provided for customising cord length of [60474](#).
- One megohm resistor between the stud and ground.
- Brass crimp secures conductors and provides stress relief.
- Charleswater logo moulded onto cap on top of shroud.
- Date coded to show month and year of manufacture. Arrow points to month of manufacture (12:00 = December), numerals indicate the year (18 = 2018).
- 6-32 x 6.35mm flat head screw and washer allow floor mat ground to be bolted to mat.

Item	Description
60474	4.5m Grounding Cord, 10mm Stud / M5 Ring Terminal
60488	4.5m Grounding Cord, 10mm Stud / 10mm Socket

Unless otherwise noted, tolerance $\pm 10\%$
Specifications and procedures subject to change without notice.



Made in the
United States of America

Floor Mat Threaded Grounding Cord with Conical Head

DESCO EUROPE

DESCO EUROPE
2A DUNHAMS LANE, LETCHWORTH GARDEN CITY,
HERTFORDSHIRE, SG6 1BE, UK
PHONE: +44 (0) 1462 672005
E-MAIL: Service@DescoEurope.com, INTERNET: DescoEurope.com

Drawing Number
60474.E

DATE:
April
2018