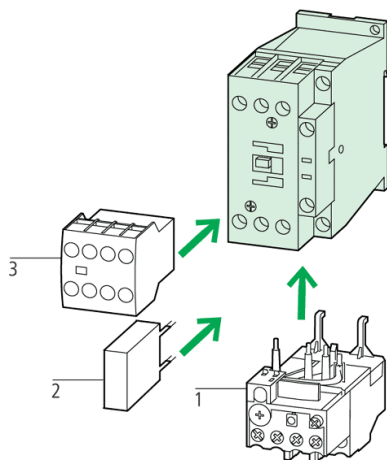


Type: **DILM80(230V50HZ,240V60HZ)**
 Article No.: **239402**
 Sales text **Contactor,37kW/400V,AC operated**



Ordering information			
Connection technique			Screw terminals
Description			3 pole
Description			Springloaded terminals on the auxiliary and control circuit terminals
Rated operational current			
AC-3 380 V 400 V	I_e	A	80
Max. rating for three-phase motors, 50 – 60 Hz			
AC-3 220 V 230 V	P	kW	25
AC-3 380 V 400 V	P	kW	37
AC-3 660 V 690 V	P	kW	63
AC-4 220 V 230 V	P	kW	12
AC-4 380 V 400 V	P	kW	20
AC-4 660 V 690 V	P	kW	26
Conventional free air thermal current I_{th} = I_e AC-1 at 60 °C			
Open	$I_{th} = I_e$	A	90
Contacts			
Can be combined with auxiliary contact			DILM150-XHI(V).. DILM1000-XHI(V)..

Contact sequence**Notes concerning the product group****Accessories**

1 Overload relay → [278442](#)

2 Suppressor → [281199](#)

3 Auxiliary contact module → [277376](#)

Further actuating voltages → [277379](#)

Accessories → [281227](#)

The DC operated contactors have integral suppressor circuits (DILM7 – DILM15: Varistor).

Contactors DILM115, DILM150 and DILM170 have a built-in suppressor circuit.

Mirror contact for DILM7–01 to DILM32–01

Contactor contact according to EN 50012

General

Standards

IEC/EN 60947, VDE 0660, UL, CSA

Lifespan, mechanical

AC operated	Operations	$\times 10^6$	10
DC operated	Operations	$\times 10^6$	10
Operating frequency, mechanical			
AC operated	Operations/h		3600
DC operated	Operations/h		3600
Climatic proofing			Damp heat, constant, to IEC 60068-2-78 Damp heat, cyclical, to IEC 60068-2-30
Ambient temperature			
Open		°C	-25...60
Enclosed		°C	-25...40
Storage		°C	... 40...+80
Mechanical shock resistance (IEC/EN 60068-2-27)			
Half-sinusoidal shock, 10 ms			
Main contacts			
N/O contact		g	10
Auxiliary contacts			
N/O contact		g	7
N/C contact		g	5
Mechanical shock resistance (IEC/EN 60068-2-27) when tabletop-mounted			
Half-sinusoidal shock, 10 ms			
Main contacts			
Thickness of material for busbar max.		g	10
Auxiliary contacts			
Min. rated current = rated uninterrupted current		g	7
N/C contact		g	5
Protection type			IP00
Protection against direct contact when actuated from front (IEC 536)			Finger- and back-of-hand proof
Weight			
AC operated		kg	2
DC operated		kg	2,1
Terminal capacity main cable			
Flexible with ferrule		mm ²	1 × (10 – 95) 2 × (10 – 70)

Stranded		mm ²	1 × (16 – 95) 2 × (16 – 70)
Solid or stranded		AWG	8...3/0
Flat conductor	Number of segments × width × thickness	mm	2 × (6 × 16 × 0.8)
Main cable connection screw/bolt			M10
Tightening torque		Nm	14
Terminal capacity control circuit cables			
Solid		mm ²	1 × (0.75 – 4) 2 × (0.75 – 4)
Flexible with ferrule		mm ²	1 × (0.75 – 2.5) 2 × (0.75 – 2.5)
Solid or stranded		AWG	18 – 14
Control circuit cable connection screw/bolt			M3.5
Tightening torque		Nm	1.2
Tool			
Main cable			
Hexagon socket-head spanner	SW	mm	5
Control circuit cables			
Pozidriv screwdriver		Size	2
Standard screwdriver		mm	0.8 × 5.5 1 × 6
Terminal capacity control circuit cables			
Solid		mm ²	1 × (0.75 – 2.5) 2 × (0.75 – 2.5)
Flexible		mm ²	1 × (0.75 – 2.5) 2 × (0.75 – 2.5)
Flexible with ferrule		mm ²	1 × (0.75 – 1.5) 2 × (0.75 – 1.5)
Solid or stranded		AWG	18 – 14
Tool			
Stripping length		mm	10
Screwdriver blade width		mm	3,5
Main conducting paths			
Rated impulse withstand voltage	U_{imp}	V AC	8000
Overtoltage category/pollution degree			III/3

Rated insulation voltage	U_i	V AC	1000
Rated operational voltage	U_e	V AC	1000
Safe isolation to VDE 0106 Part 101 and Part 101/A1			
between coil and contacts		V AC	690
between the contacts		V AC	690
Making capacity (p.f. to IEC/EN 60947)			
	Up to 690 V	A	1120
Breaking capacity			
220/230 V		A	800
380/400 V		A	800
500 V		A	800
660/690 V		A	650
Short-circuit rating			
Short-circuit protection maximum fuse			
Type "2" coordination			
400 V	gG/gL 500 V	A	160
690 V	gG/gL 690 V	A	160
Type "1" coordination			
400 V	gG/gL 500 V	A	250
690 V	gG/gL 690 V	A	200
AC			
AC-1 duty			
conv. therm. current 3 pole 50 – 60 Hz			
open			
at 40 °C	I_{th}	A	110
at 50 °C	I_{th}	A	98
at 55 °C	I_{th}	A	94
at 60 °C	I_{th}	A	90
enclosed	I_{th}	A	80
Conventional free air thermal current, 1 pole			
open	I_{th}	A	225
enclosed	I_{th}	A	200
AC-3 duty			
Rated operational current AC-3 open, 50 – 60 Hz, 3 pole			

220/230 V	I_e	A	80
240 V	I_e	A	80
380/400 V	I_e	A	80
415 V	I_e	A	80
440V	I_e	A	80
500 V	I_e	A	80
660/690 V	I_e	A	65
Motor rating			
220/230 V	P	kW	25
240V	P	kW	27,5
380/400 V	P	kW	37
415 V	P	kW	48
440 V	P	kW	51
500 V	P	kW	58
660/690 V	P	kW	63
AC–4 duty			
Rated operational current AC–4 open, 50 – 60 Hz, 3 pole			
220/230 V	I_e	A	40
240 V	I_e	A	40
380/400 V	I_e	A	40
415 V	I_e	A	40
440 V	I_e	A	40
500 V	I_e	A	40
660/690 V	I_e	A	27
Motor rating			
220/230 V	P	kW	12
240 V	P	kW	13
380/400 V	P	kW	20
415 V	P	kW	24
440 V	P	kW	25
500 V	P	kW	29
660/690 V	P	kW	26
DC			
of three–phase capacitors open			
DC–1 operation			
60 V	I_e	A	110
110 V	I_e	A	110
220 V	I_e	A	70

440 V	I_e	A	4,5
DC-3 operation			
60 V	I_e	A	110
110 V	I_e	A	110
220 V	I_e	A	35
440 V	I_e	A	1
DC-5 operation			
60 V	I_e	A	110
110 V	I_e	A	110
220 V	I_e	A	35
440 V	I_e	A	1
Current heat loss (3 pole)			
Current heat loss at I_{th}		W	12,2
Current heat loss at I_e to AC-3/400 V		W	9,6
Impedance per pole		m	0,5
Magnet systems			
Voltage tolerance			
AC operated	Pick-up	$\times U_c$	0,8...1,1
Drop-out voltage AC operated	Drop-out	$\times U_c$	0,3...0,6
DC operated	Pick-up	$\times U_c$	0,7...1,2
DC operated	Drop-out	$\times U_c$	0,15...0,6
Power consumption of the coil in a cold state and $1.0 \times U_c$			
50 Hz	Pick-up	VA	310
50 Hz	Sealing	VA	26
50 Hz	Sealing	W	5,8
60 Hz	Pick-up	VA	345
60 Hz	Sealing	VA	30
60 Hz	Sealing	W	7,1
50/60 Hz	Pick-up	VA	372 328
50/60 Hz	Sealing	VA	37,1 22,6
50/60 Hz	Sealing	W	7,5 6,1
DC operated	Pick-up	W	90
DC operated	Sealing	W	1.3
Duty factor		% DF	100
Switching times at 100 % U_c (approximate values)			

Main contacts			
AC operated			
Closing delay		ms	14...20
Opening delay		ms	9...14
DC operated			
Closing delay		ms	45
Opening delay		ms	34
Arcing time		ms	15
Permissible residual current with actuation of A1 – A2 by the electronics (with 0 signal).		mA	1
Lifespan, mechanical; Coil 50/60 Hz	at 50 Hz		Mechanical lifespan at 50 Hz approx. 30% lower than under “General”

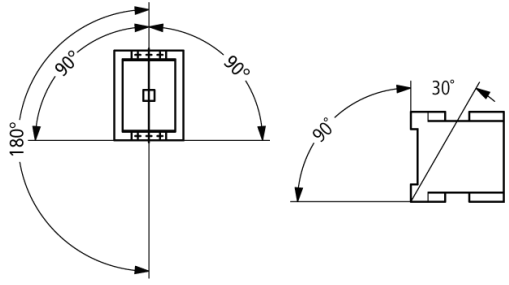
Electromagnetic compatibility (EMC)

Emitted interference			to EN 60947–1
Interference immunity			to EN 60947–1

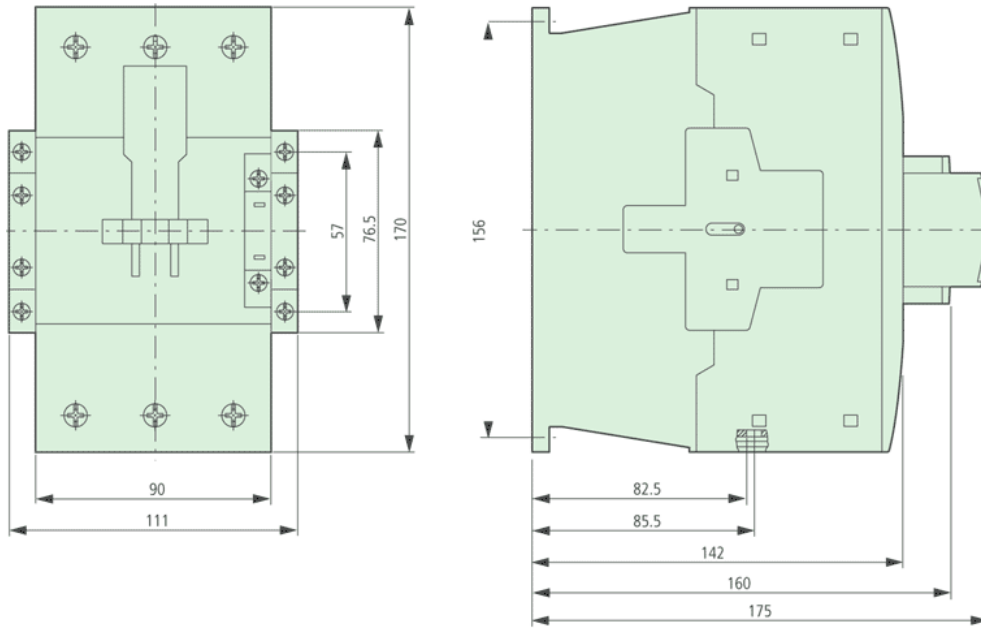
Notes

Notes			<p>The following applies to magnet systems, voltage tolerance, pickup voltage DC-operated DILM17 – DILM32:</p> <p>RDC 24 (Umin 24 V DC/Umax 27 V DC) RDC 60 (Umin 48 V DC/Umax 60 V DC) RDC 130 (Umin 110 V DC/Umax 130 V DC) RDC 240 (Umin 200 V DC/Umax 240 V DC)</p> <p>Example: $U_c = 0.7 \times U_{min} - 1.2 \times U_{max}$ $U_c = 0.7 \times 24 \text{ V} - 1.2 \times 27 \text{ V DC}$</p> <p>With voltage tolerance and DC operated power consumption the following applies: At least smoothed double-pulse bridge rectification or a three-phase current rectifier is necessary</p>
--------------	--	--	--

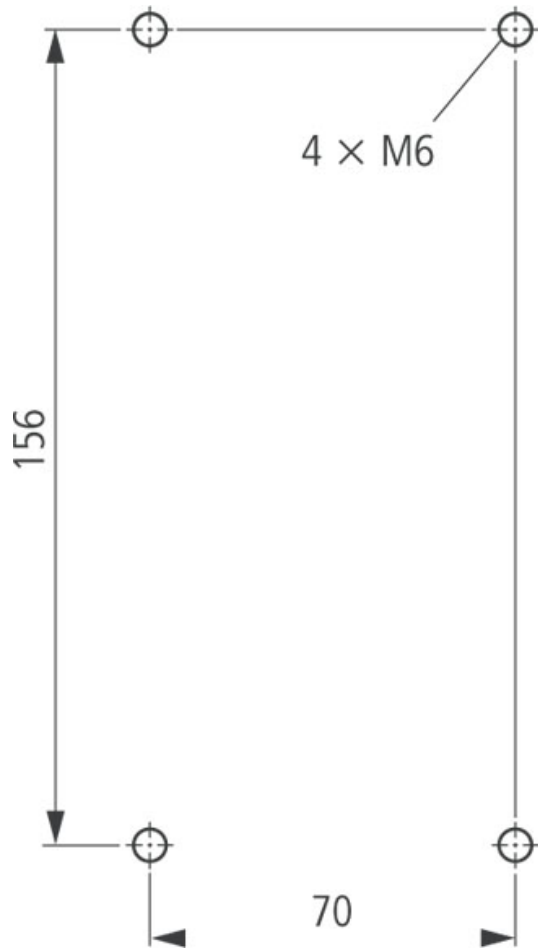
Mounting position, AC- and DC operated



Dimensions



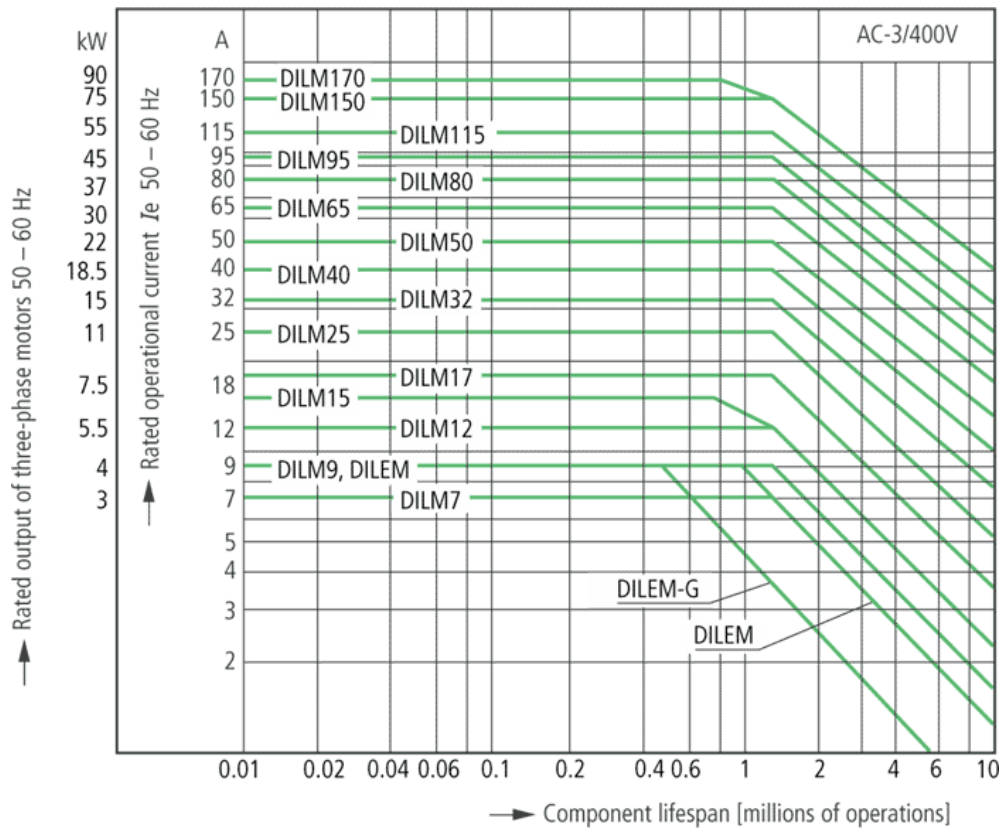
Dimensions



distance at side to earthed parts: 10 mm

Contactors with auxiliary contact module

Characteristic curve



Squirrel-cage motor

Operating characteristics

Starting: from rest

Stopping: after attaining full running speed

Electrical characteristics

Make: up to $6 \times$ rated motor current

Break: up to $1 \times$ rated motor current

Utilization category

100 % AC-3

Typical applications

Compressors

Lifts

Mixers

Pumps

Escalators

Agitators

Fans

Conveyor belts

Centrifuges

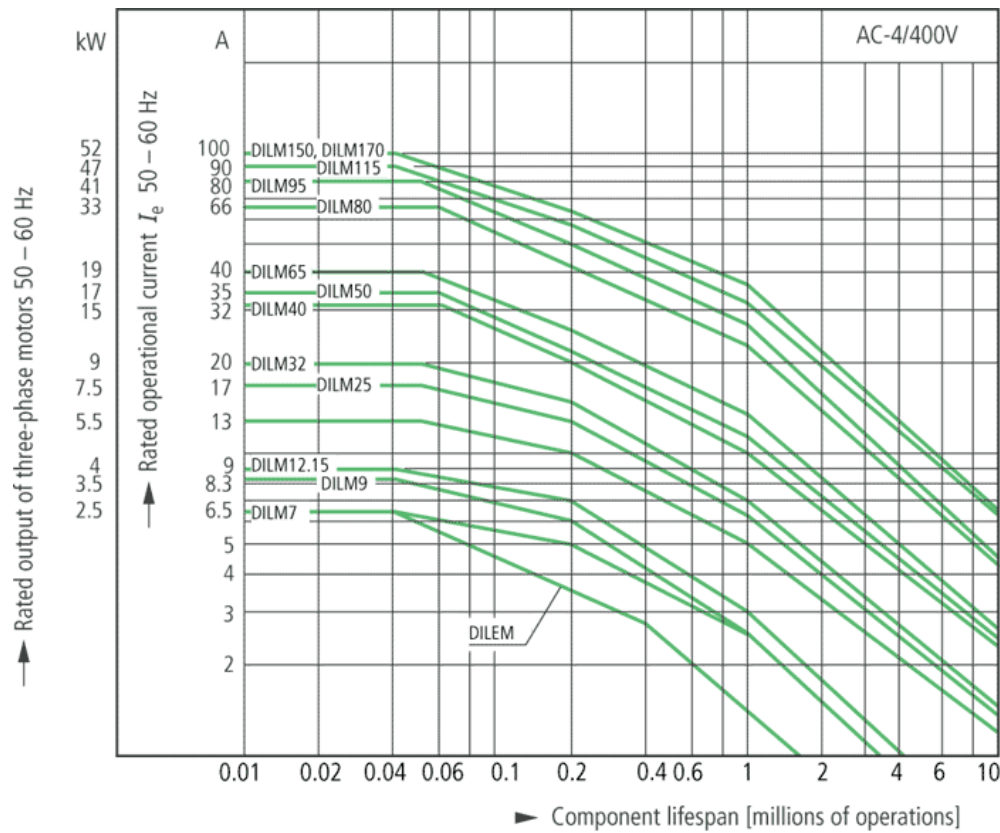
Hinged flaps

Bucket-elevators

Air conditioning system

General drives in manufacturing and processing machines

Characteristic curve



Extreme switching duty
 Squirrel-cage motor
 Operating characteristics
 Inching, plugging, reversing
 Electrical characteristics
 Make: up to $6 \times$ rated motor current
 Break: up to $6 \times$ rated motor current
 Utilization category
 100 % AC-4
 Typical applications
 Printing presses
 Wire-drawing machines
 Centrifuges
 Special drives for manufacturing and processing machines

Moeller GmbH, Hein-Moeller-Str. 7-11, D-53115 Bonn
 E-Mail: catalog@moeller.net, Internet: www.moeller.net, <http://catalog.moeller.net>
 Copyright 2006 by Moeller GmbH. HPL-C2007G V2.1