

# VOLTCRAFT

## DATASHEET

Item No.: 2542815

Type designation: ML2032

Chemical system: Manganese lithium

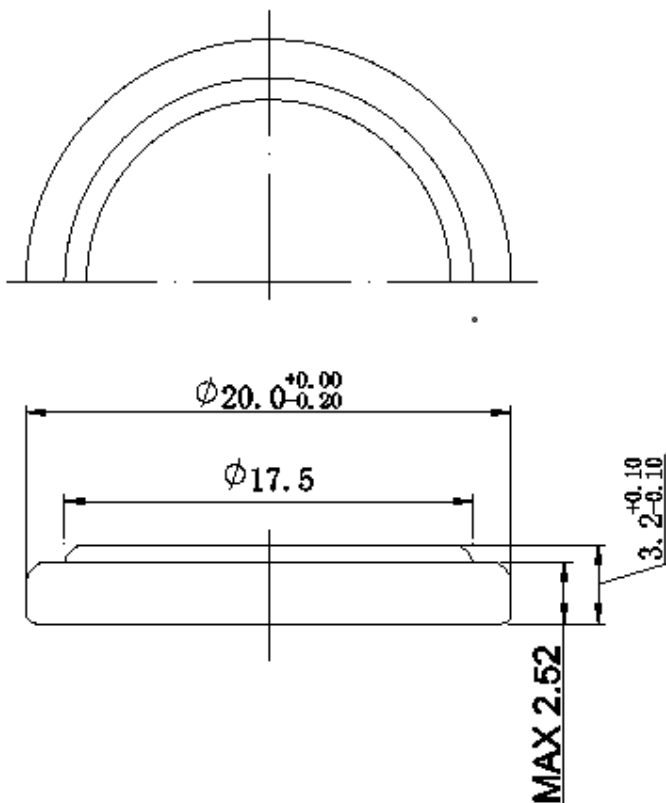
Nominal voltage: 3.0 V

Weight: Approximate 3.2 g

Dimension (mm):  $\varnothing 20 \times 3.2$

The dimensions shall be in accordance with the below figures both prior to and after the service output test.

Measuring equipment shall be with a minimum accuracy of  $+0.1 / -0.2$  mm.



Capacity: 65 mAh (15k  $\Omega$  load to 2.0 V end-point)

Operating temperature:  $-20$  °C ~  $70$  °C

Recommend storage temperature:  $0$  °C ~  $30$  °C

Shelf lifetime: 1 Year