

SIDE MOUNTED ROTARY OPERATOR STANDARD
IEC IP65 WITH MOUNTING PLATE ILLUMINATION
KIT 24 V DC ACCESSORY FOR: 3VA1 100/160



Figure similar

Model	
product brand name	SENTRON
Design of handle	Gray
Protection class IP	IP65

Product details	
Product component / axis extension	Yes
Product property / lockable	Yes

Accessories	
accessories	Side panel rotary operating mechanism

General Product Approval	EMC	Declaration of Conformity	other
	other		other



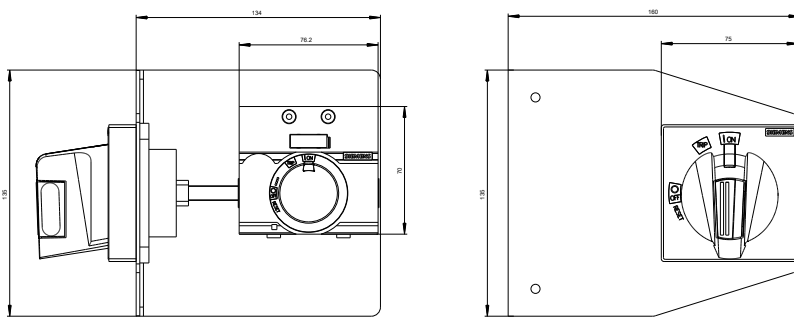
Further information

Information- and Downloadcenter (Catalogs, Brochures,...)
<http://www.siemens.com/lowvoltage/catalogs>

Industry Mall (Online ordering system)
<https://eb.automation.siemens.com/mall/en/WW/Catalog/Product/3VA91570PK53>

Service&Support (Manuals, Certificates, Characteristics, FAQs,...)
<http://support.automation.siemens.com/WW/view/en/3VA91570PK53/all>

Image database (product images, 2D dimension drawings, 3D models, device circuit diagrams, ...)
http://www.automation.siemens.com/bilddb/cax_en.aspx?mlfb=3VA91570PK53



last modified:

16.03.2015