

**Allt  
mellan  
antenn  
och jord**

Datum 980310

**PRODUKTINFORMATION FRÅN**

**ELFA**



**HÄMTFAX**

**+46 8 735 35 33**



**FAX ON DEMAND**

**+46 8 735 35 29**



**INTERNET**

**<http://www.elfa.se>**

**TEKNISK INFORMATION +46 8 735 35 15 ORDERTEL +46 8 735 35 35 ORDERFAX +46 8 730 30 88**

**— Vi reserverar oss mot fel samt förbehåller oss rätten till ändringar utan föregående meddelande —**

**ELFA artikelnr.**

**40-101-12 Högtalarkont guld/svart**

**Antal sidor: 02**

**40-101-38 Högtalarkont guld/röd**

Sheet No. **PS 0336**

Date: 15.06.94

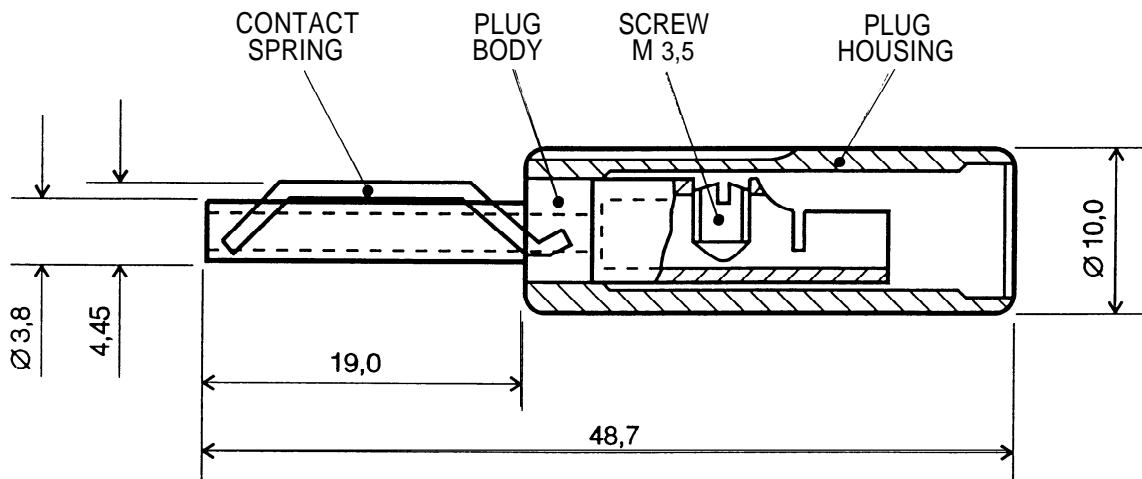
Issue No. 3

Sheet 1 of 1

Signature

Deltron Part No. **584-0100 BLACK (GOLD PLATED)**  
**584-0500 RED (GOLD PLATED)**

### Dimensions



DIMENSIONS IN MILLIMETRES

### Description

A standard in-line 4mm banana plug with a stainless steel contact spring.

The large rear diameter of this plug will accept cables with a conductor of up to 5.5mm (10 awg). The lead wire can be held either by soldering in a large solder bucket, or by a set screw. When the cable is held by the set screw, the solder bucket can also be crimped for added strength. Gold plating reduces contact resistance.

The product is also supplied with a large diameter insulating cover that accepts cables with a maximum outside diameter of 7.1 mm.

### Features

#### MATERIAL

CONTACT SPRING : Stainless Steel, BS 302  
PLUG BODY : Brass, TR1 CZ 131 gold plated  
SCREW : Brass, BS 2874  
PLUG HOUSING : Acetal, C 27021 R