

# Micro Switch

## Features

- Snap-action switch
- Micro switch with solder/PCB terminals
- Simple construction and high reliability for long time
- Robust design



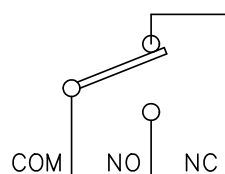
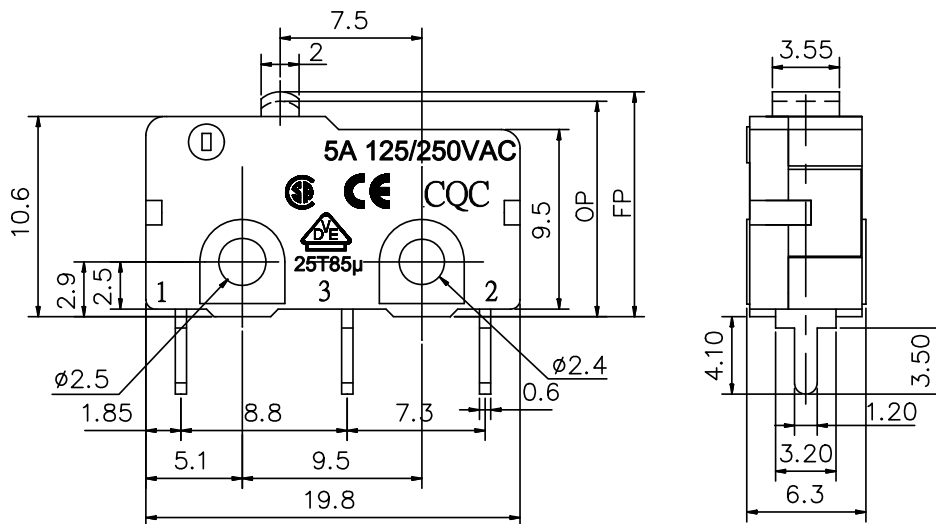
## Functional Specification

Rated Voltage	125 VAC / 250 VAC
Rated Current	5 A
Contact Resistance	100 mOhm
Operating Force	115 ± 30 gf
Free Position	11.9 ± 0.3 mm
Operating Position	11.3 ± 0.35 mm
Actuator Type	Pin Plunger
Termination Type	PCB Terminals

## Reliability Rating

Mechanical Life	1000000 Cycles
Electrical Life	10000 Cycles
Insulation Resistance	100 MOhm @ 500 VDC
Dielectric Withstanding Voltage	1 kVAC 1 min
Soldering Type	Hand Soldering
Operating Temperature	-25 ... 85 °C
Ambient Humidity	< 70%RH

## Drawing



SCHEMATIC

Art. Nr.  
RND 210-00750