

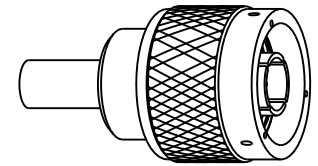
- NOTES:
- MATERIALS AND FINISHES:
 BODY - BRASS, SILVER PLATING
 CONTACT - BRASS, GOLD PLATING
 INSULATOR - PTFE
 GASKET - SILICONE RUBBER
 - MECHANICAL:
 A. DURABILITY : 500 CYCLES MIN
 B. TEMPERATURE RANGE : -65°C TO +165°C
 - PACKAGING:
 A. QUANTITY: SINGLE PACK
 B. MARKING: BAG TO BE MARKED "AMPHENOLRF, 82-4427, AND DATE CODE"
 - ASTERISK (*) SHOWS THE CABLE ENTRY DIMENSIONS.
 - CUSTOMER NOTE : SOLDER CONTACT TO CABLE.
 CRIMP WITH AMPHENOL TOOL 227-944(M22520/5-01) AND DIE SET 227-1221-57 CAVITY B (M22520/5-57 CLOSURE B)
 CRIMP WITH AMPHENOL TOOL 227-944(M22520/5-01) AND DIE SET 227-1221-57 CAVITY A (M22520/5-57 CLOSURE A)

THIRD ANGLE PROJ.

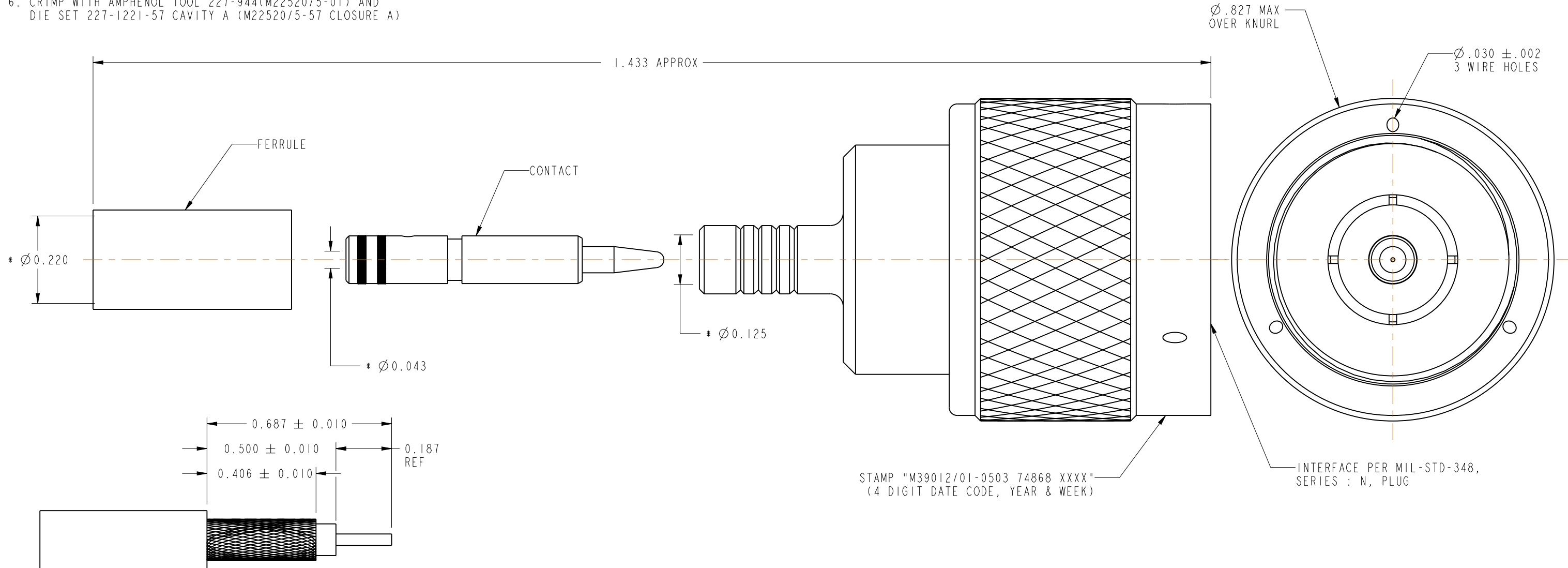
REVISIONS

REV	DESCRIPTION	DATE	ECO	APPR
--	RELEASED TO MFG.	-----	-----	-----
W	REDRAWN IN PRO E	1/14/13	48616	RAK

MIL-C-39012 INSPECTION



SCALE 1.000



RECOMMENDED CABLE STRIPPING DIMENSIONS

THIS CONNECTOR IS COVERED BY U.S. PATENT 3,439,294 & 3,474,391

CUSTOMER OUTLINE DRAWING

ALL OTHER SHEETS ARE FOR INTERNAL USE ONLY

UNLESS OTHERWISE SPECIFIED, DIMENSIONS ARE IN INCHES AND TOLERANCES ARE: 2 PLACE DECIMAL 3 PLACE DECIMAL ANGLES $\pm .015$ (0,381 mm) $\pm .005$ (0,127 mm) $\pm 1^\circ$	MATERIAL	DRAWN ABHAYA KISHORE	DATE 09-Jun-11	TITLE TYPE "N" PLUG MIL-CRIMP FOR RG 400 & 142B/U CABLE		Amphenol RF www.amphenolrf.com	
	NOTICE - These drawings, specifications, or other data (1) are, and remain the property of Amphenol corp. (2) must be returned upon request; and (3) are confidential and not to be disclosed to any person other than those to whom they are given by Amphenol Corp. the furnishing of these drawings, specifications, or other data by Amphenol Corp., or to any other person to anyone for any purpose is not to be regarded by implication or otherwise in any manner licensing, granting rights to permitting such holder or any other person to manufacture, use or sell any product, process or design, patented or otherwise, that may in any way be related to or disclosed by said drawings, specifications, or other data.	REFERENCE DRAWING NO. : MIL-C-39012/01-0303 CONFIGURATION LEVEL: In Work	ENGINEER ABHAYA KISHORE	DATE 09-Jun-11	APPROVED K. CAPOZZI	DATE 1/14/13	SCALE: 4.0:1.0 SHEET 2 OF 2
	FINISH	CAD FILE		DWG SIZE B	REV W		