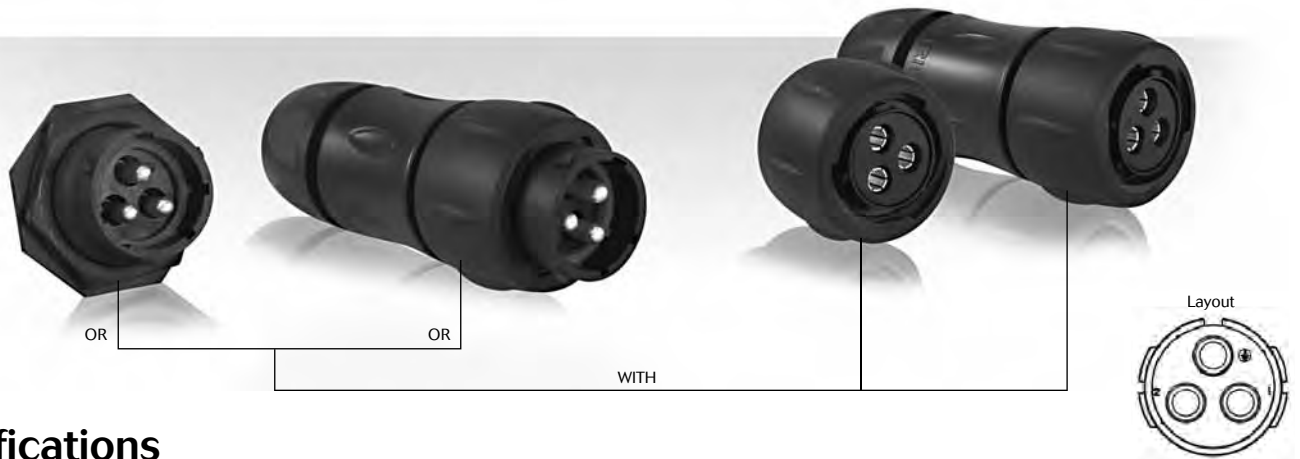


# UTS Series 142G1

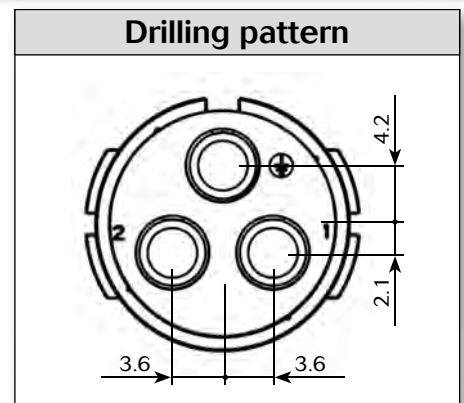
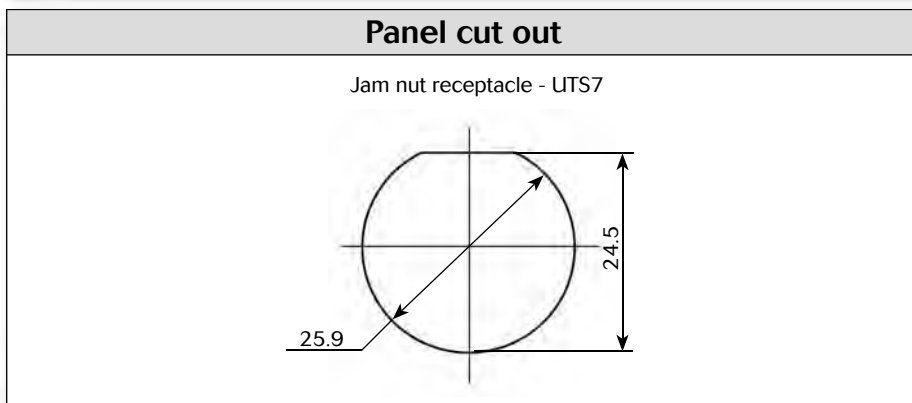
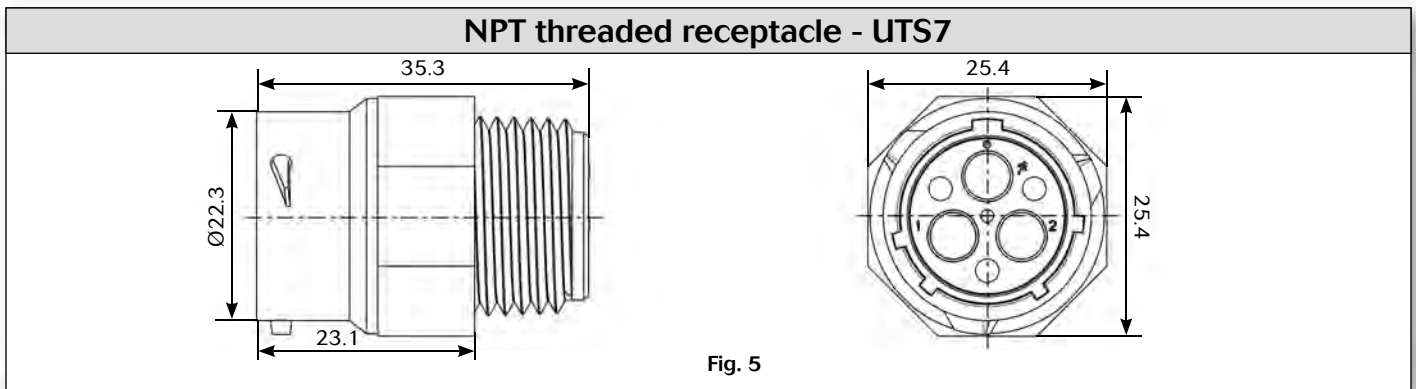
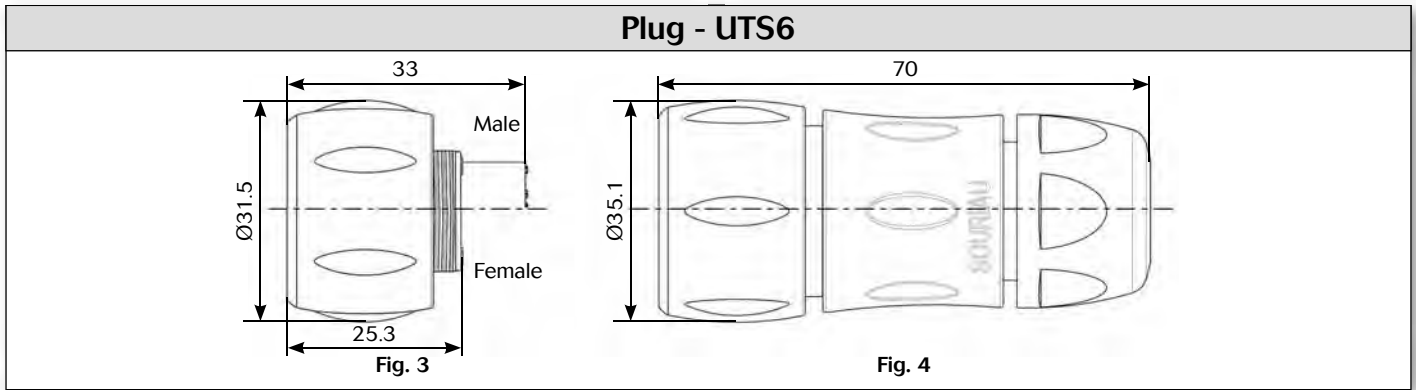
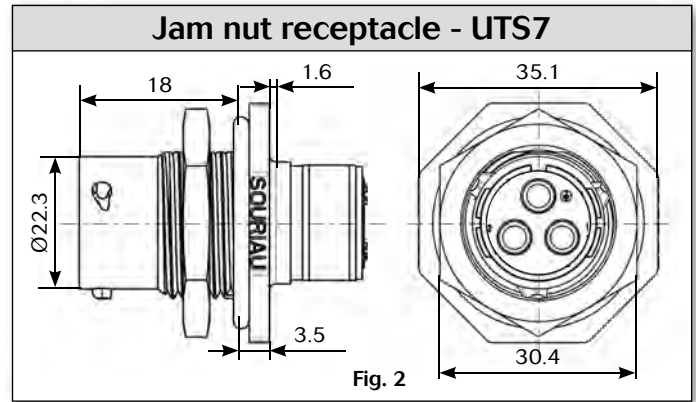
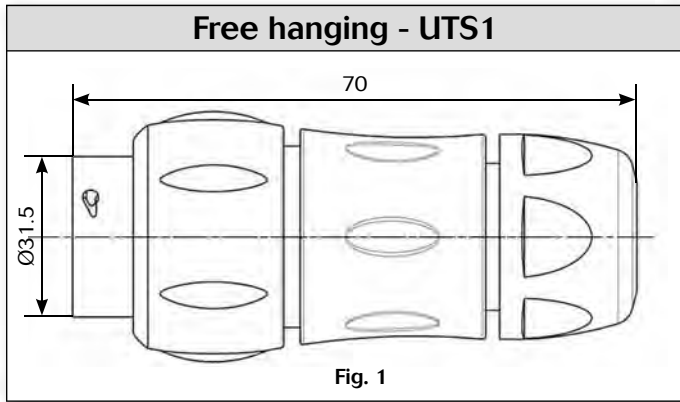


## Specifications

Contact type	Connector type	Backshell	Part number	
			Male insert	Female insert
Crimp contacts supply separately see page 35	Free hanging receptacle	Cable gland (Fig.1)	UTS1JC142G1P	UTS1JC142G1S
	Plug	Without (Fig.3)	UTS6142G1P	UTS6142G1S
		Cable gland (Fig.4)	UTS6JC142G1P	UTS6JC142G1S
	Jam nut receptacle	Without (Fig.2)	UTS7142G1P	UTS7142G1S
	NPT threaded receptacle	Without (Fig.5)		UTS7142G1SNPT



### Dimensions




Note: all dimensions are in mm




### Accessories and tooling

**Jam nut sealing caps**



Part number
UTS14DCG



Metal terminal

Part number
UTS14DCGR

**Hand tool**



Part number
M317

**Plug sealing cap**



Part number
UTS614DCG

**Positioner + locator setting**




Part number
VGE10078A

**Plastic protective cap**



Part numbers	
Receptacle cap	Plug cap
85005588A	85005597

**Gasket**



Part numbers / neoprene
UTFD14B


**Extraction tool**




Part number
51060210936

**Color coding rings**


G for Green



Y for Yellow



R for Red



Part numbers	
Receptacles	Plugs
UTS714CCRR	UTS614CCRR
UTS714CCRY	UTS614CCRY
UTS714CCRG	UTS614CCRG

\* Add G for Green, Y for Yellow, R for Red

# UTS Series

## 142G1



2 + ground  
40A/300V  
per IEC 61984

### Contacts

#8	Contact type	AWG	Part number		Max wire Ø	Max insulator Ø
			Male	Female		
Crimp	Machined	16	82913601A <sup>(1)</sup>	82913600A <sup>(1)</sup>	-	6.5
		14	82913603A <sup>(1)</sup>	82913602A <sup>(1)</sup>	-	
		12	82913605A <sup>(1)</sup>	82913604A <sup>(1)</sup>	-	
		10	82913607A <sup>(1)</sup>	82913606A <sup>(1)</sup>	-	
		8	82913609A <sup>(1)</sup>	82913608A <sup>(1)</sup>	-	

(1): Example of plating, for other plating see page 143

#### Electrical characteristics

**UL**  
44A 600V UL94 V-0

**CSA**  
30A 600V UL94 V-0

**IEC**  
40A 300V 4kV 3

#### UTS 142G1 derating curves

