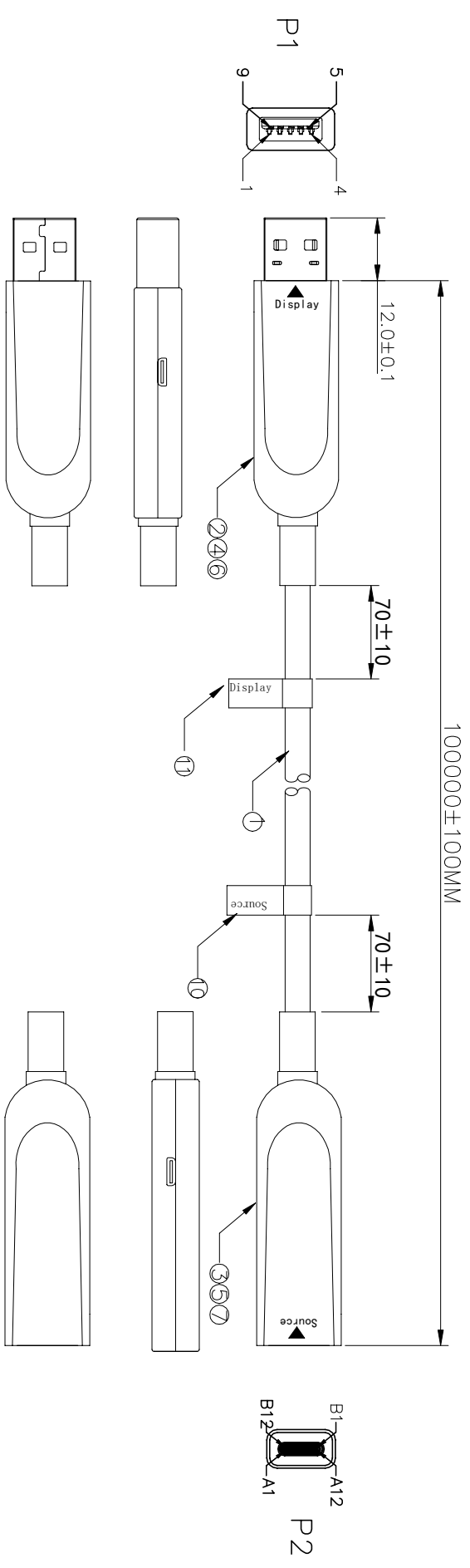


WEIGHT	CUSTOMER NO:	REMARK
		SECOMP



NOTE:
 1.100% Electrical test, no short circuit,
 Broken circuit, intermittent contact and other electrical bad;
 2. Insulation Resistance: 5MΩ MIN/300V DC 0.01S;
 3. Conductor Resistance: 20ΩMAX.
 4. ROHS COMPLIANT.

11	Label	silver label: Display side, as drawing	1PCS
10	Label	silver label: Source side, as drawing	1PCS
9	net	black protect net: 10*70mm	2PCS
8	cable tie	12MM wide magicing tape, Length: 150mm	2PCS
7	SR	USB AF SR molding black PVC ROHS	1PCS
6	SR	USB AM SR molding black PVC ROHS	1PCS
5	shell	USB A/F, Gray, Alloy housing	1SET
4	shell	USB A/M, Gray, Alloy housing	1SET
3	plug	USB 3.0 AF with chipset PIN G/F	1PCS
2	plug	USB 3.0 AM with chipset PIN G/F	1PCS
1	wire	(1*2#+A1)*IKS+2*3#+optical fiber+ylon+Al+black TPE/65P, no printing 00-4-8	10M

物料名称
 物料规格
 Specification

数量
 Qty

A	FIRST EDITION	BAO	2023/01/05
REV. ECR	DESCRIPTION	C.N.	DATE
<p>THESE DRAWINGS AND SPECIFICATIONS ARE THE PROPERTY OF WIRETEK CO. WIRETEK LIMITED AND SHALL NOT BE REPRODUCED OR USED IN ANY MANNER WITHOUT THE WRITTEN CONSENT OF WIRETEK COMPANY LIMITED.</p> <p>UNLESS OTHERWISE SPECIFIED, DIMENSIONS ARE IN MILLIMETERS. ANGULAR TOLERANCE: ±10'</p>			
TITLE		ROLINE USB3.0 GEN1 ACTIVE AOC CABLE-10m	
CHKD.	CONF.		
DR.	APPD.		
MATERIAL		MODEL NO: 12.04.1075	
FINISH	FINISH	SCALE	SHEET 1 / 1
UNIT	SIZE	REV.	
MM	A4	A	

