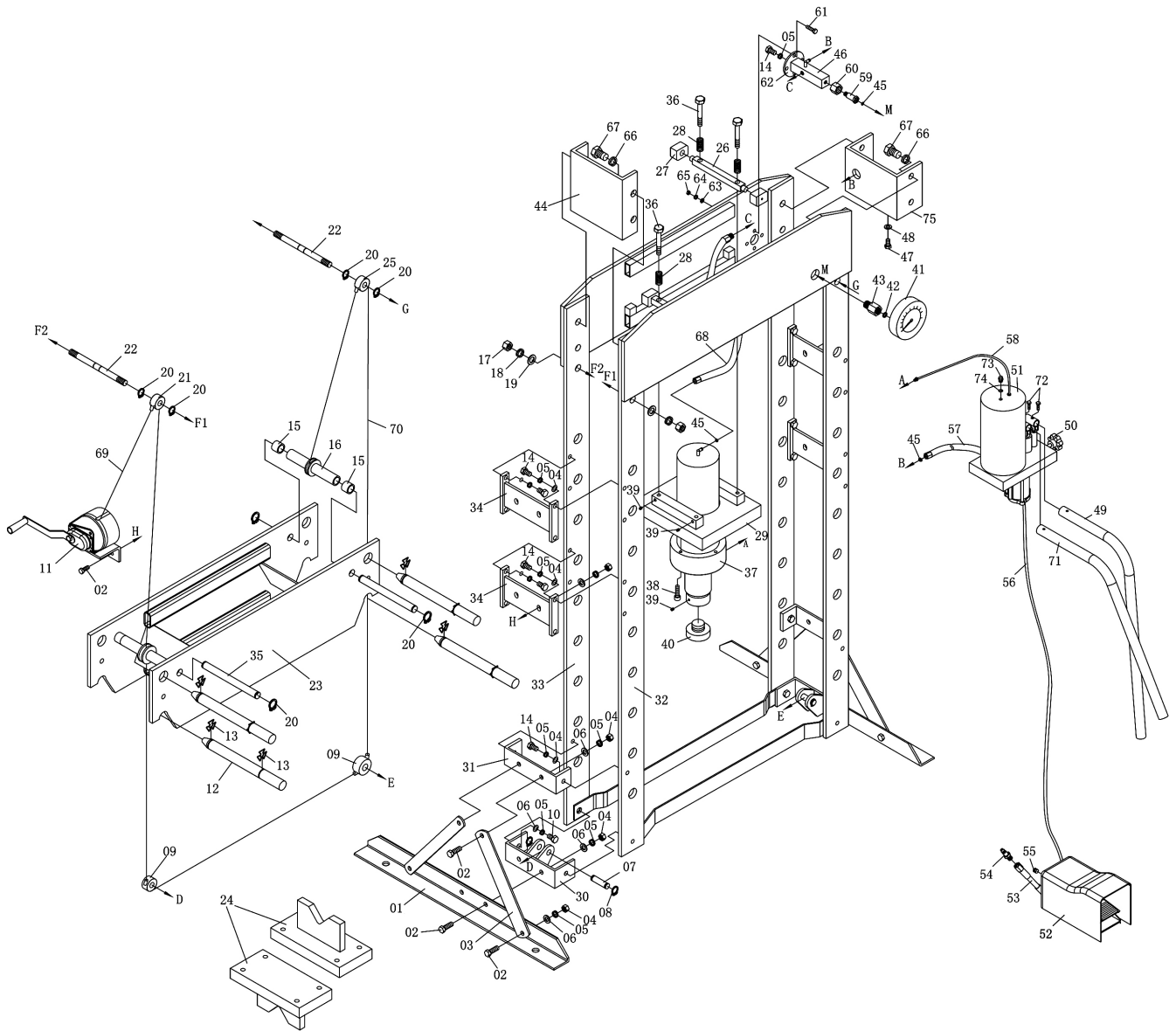




Parts Information:
**Air/Hydraulic Press 50tonne Floor Type
with Foot Pedal**
Model No: YK509FAH



NOTE: It is our policy to continually improve products and as such we reserve the right to alter data, specifications and component parts without prior notice.

IMPORTANT: No liability is accepted for incorrect use of product.

WARRANTY: Guarantee is 12 months from purchase date, proof of which will be required for any claim.

Sealey Group, Kempson Way, Suffolk Business Park, Bury St Edmunds, Suffolk. IP32 7AR



01284 757500



01284 703534



sales@sealey.co.uk



www.sealey.co.uk



Parts Information:
**Air/Hydraulic Press 50tonne Floor Type
 with Foot Pedal**
Model No: YK509FAH

Item	Part No.	Description
1	YK759FAH.01	BASE SECTION
2	SS1235.S	HEX HEAD SET SCREW M12x35mm SINGLE
3	YK759FAH.03	SUPPORT
4	SN12.S	STEEL NUT M12 ZINC DIN934(SINGLE)
5	YK509FAH.05	SPRING WASHER M12
6	YK509FAH.06	FLAT WASHER M12
7	YK759FAH.07	PIN
8	YK759FAH.08	CIRCLIP
9	YK759FAH.09	ROLLER
10	SS1225.S	HEX HEAD SET SCREW M12x25mm SINGLE
11	YK759F.11	HAND WINCH
12	YK509F.12	PIN, TABLE SUPPORT 400x30mm
13	YK759FAH.13	RETAINING CLIP
14	YK509FAH.14	BOLT M12x25
15	YK759FAH.15	BUSH
16	YK509FAH.16	SHAFT WHEEL
17	SN20.S	STEEL NUT M20 ZINC DIN934(SINGLE)
18	SWM20.S	SPRING WASHER M20 ZINC (SINGLE)
19	FWM20.S	FLAT WASHER M20 SINGLE
20	YK509FAH.20	CIRCLIP
21	YK509FAH.21	ROLLER
22	YK509F.22	BOLT
23	YK509FAH.23	BED FRAME
24	YK509FAH.24	V-BLOCK
25	YK509FAH.25	ROLLER
26	YK509FAH.26	CONNECTING ROD
27	B/6202ZZ	BEARING 6202ZZ
28	YK509FAH.28	SPRING
29	YK509FAH.29	UNDER PLATE
30	YK509FAH.30	CONNECTING PLATE
31	YK509FAH.31	CONNECTING PLATE
32	YK509FAH.32	POST 1
33	YK509FAH.33	POST 2
34	YK509FAH.34	CONNECTING PLATE
35	YK509FAH.35	PIN(M20 X 275)
36	HHB10100.S	HEX HEAD BOLT M10x100mm SINGLE
37	YK509FAH.37	RAM A'SSY
--	YK509F.RS	RAM SEAL KIT (NOT SHOWN)
38	SCB1070.SB	SOCKET HEAD CAP SCREW M10x70 BLACK
39	GSM810.SB	GRUB SCREW M8x10 (BLACK)

Item	Part No.	Description
40	YK509FAH.40	SADDLE (SERRATED)
41	YK509FAH.41	PRESSURE GAUGE 1000kgf/cm2 80 tonnes
42	YK759FAH.61	NYLON RING
43	YK509FAH.43	GAUGE FITTING
44	YK509FAH.44	CONNECTING PLATE
45	YK509FAH.45	O-RING
46	YK509F.46	BANJO FIXING
47	SS1020.S	HEX HEAD SET SCREW M10x20mm SINGLE
48	FWM10.S	FLAT WASHER M10 SINGLE
49	YK759FAH.54	HANDLE
50	YK509FAH.50	RELEASE VALVE
51	YK509FAH.51	PUMP A'SSY
--	YK509F.SK	PUMP SEAL KIT (NOT SHOWN)
52	YK759FAH.52	FOOT PEDAL
53	YK509FAH.53	AIR HOSE
54	YK509FAH.54	QUICK COUPLER (MALE)
55	YK509FAH.55	SCREW
56	YK509FAH.56	AIR HOSE (179mmL)
57	YK509FAH.57	OIL HOSE
58	YK509FAH.58	OIL HOSE 6mm x 8mm x 1340mm
59	YK509F.59	BANJO FIXING
60	YK509FAH.60	DEEP NUT
61	YK509FAH.61	BOLT M8x30
62	YK509FAH.62	HOLDDOWN
63	FWM8.S	FLAT WASHER M8 SINGLE
64	SWM8.S	SPRING WASHER M8 ZINC (SINGLE)
65	SN8.S	STEEL NUT M8 ZINC DIN934 (SINGLE)
66	SWM16.S	SPRING WASHER M16 ZINC (SINGLE)
67	SS1630.S	HEX HEAD SET SCREW M16x30mm SINGLE
68	YK509FAH.68	OIL HOSE 2
69	YK509FAH.69	CABLE
70	YK509FAH.70	CABLE
71	YK759FAH.53	HANDLE
72	SS820.S	HEX HEAD SET SCREW M8x20mm SINGLE
73	YK509FAH.73	OIL FILLER NUT
74	YK759FAH.61	NYLON RING
75	YK509FAH.75	CONNECTING PLATE
--	YK509FAH.76	SCREW (NOT SHOWN)
--	YK509FAH.P	PLASTIC ROLLER COVER (NOT SHOWN)

NOTE: It is our policy to continually improve products and as such we reserve the right to alter data, specifications and component parts without prior notice.

IMPORTANT: No liability is accepted for incorrect use of product.

WARRANTY: Guarantee is 12 months from purchase date, proof of which will be required for any claim.

Sealey Group, Kempson Way, Suffolk Business Park, Bury St Edmunds, Suffolk. IP32 7AR



01284 757500



01284 703534



sales@sealey.co.uk



www.sealey.co.uk