

PLEASE CHECK WWW.MOLEX.COM FOR LATEST PART INFORMATION

Part Number: **0190020009**
Status: **Active**
Overview: Standard Quick-Disconnect Terminals
Description: Avikrimp™ Fully Insulated Quick Disconnect, Female, for 18-22 AWG Wire, Box

Documents:

| | |
|--|--|
| 3D Model | Product Specification PS-19902-013 (PDF) |
| Drawing (PDF) | Product Specification PS-19902-014 (PDF) |
| Product Specification PS-19902-011 (PDF) | RoHS Certificate of Compliance (PDF) |

Agency Certification

| | |
|-----|---------|
| CSA | LR18689 |
| UL | E79133 |

General

| | |
|-------------------------|--|
| Product Family | Quick Disconnects |
| Series | <u>19002</u> |
| Crimp Quality Equipment | Yes |
| Insulated | Fully |
| Overview | <u>Standard Quick-Disconnect Terminals</u> |
| Product Name | Avikrimp™ |
| Type | Quick Disconnect |
| UPC | 800753027022 |

Physical

| | |
|--------------------------------|-----------------|
| Barrel Type | Closed |
| Color - Resin | Red |
| Flammability | 94V-2 |
| Gender | Female |
| Glow-Wire Compliant | Yes |
| Insulation | Nylon (PA) |
| Lock to Mating Part | None |
| Material - Metal | Brass |
| Material - Plating Mating | Tin |
| Material - Plating Termination | Tin |
| Net Weight | 1.035/g |
| Orientation | Straight |
| Packaging Type | Bag |
| Polarized to Mating Part | No |
| Tab Thickness | 0.81mm |
| Tab Width | 4.75mm |
| Temperature Range - Operating | -65°C to +105°C |
| Wire Insulation Diameter | 3.17mm max. |
| Wire Size AWG | 18, 20, 22 |
| Wire Size mm² | 0.35 - 0.80 |

Electrical

| | |
|-------------------|------|
| Voltage - Maximum | 300V |
|-------------------|------|

Solder Process Data

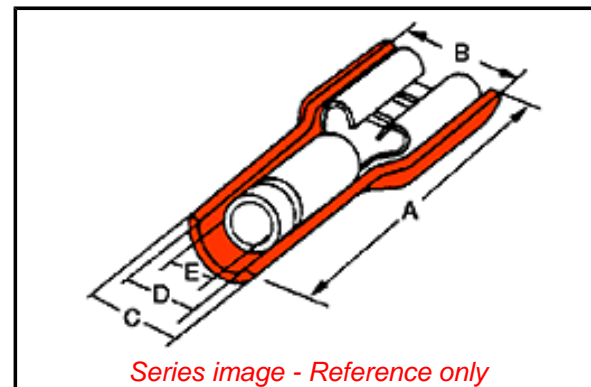
| | |
|------------------------------|-----|
| Lead-free Process Capability | N/A |
|------------------------------|-----|

Material Info

| | |
|-----------------|---------|
| Old Part Number | AA-5271 |
|-----------------|---------|

Reference - Drawing Numbers

| | |
|-----------------------|--|
| Product Specification | PS-19902-011, PS-19902-013, PS-19902-014 |
| Sales Drawing | SD-19002-003 |



EU ELV

Not Relevant

EU RoHS

Compliant

REACH SVHC

Contains SVHC(2014 December 17): No

Halogen-Free

Status

Low-Halogen

Need more information on product environmental compliance?

Email productcompliance@molex.com
Please visit the [Contact Us](#) section for any non-product compliance questions.

China ROHS

ELV

Green Image

Not Relevant

Search Parts in this Series

19002 Series

Application Tooling | FAQ

Tooling specifications and manuals are found by selecting the products below. Crimp Height Specifications are then contained in the Application Tooling Specification document.

Global

| Description | Product # |
|--|-------------------|
| Hand Crimp Tool | <u>0640010800</u> |
| Crimp Head for the AT-200™ Pneumatic Hand Tool | <u>0640050800</u> |

This document was generated on 09/08/2015

PLEASE CHECK WWW.MOLEX.COM FOR LATEST PART INFORMATION