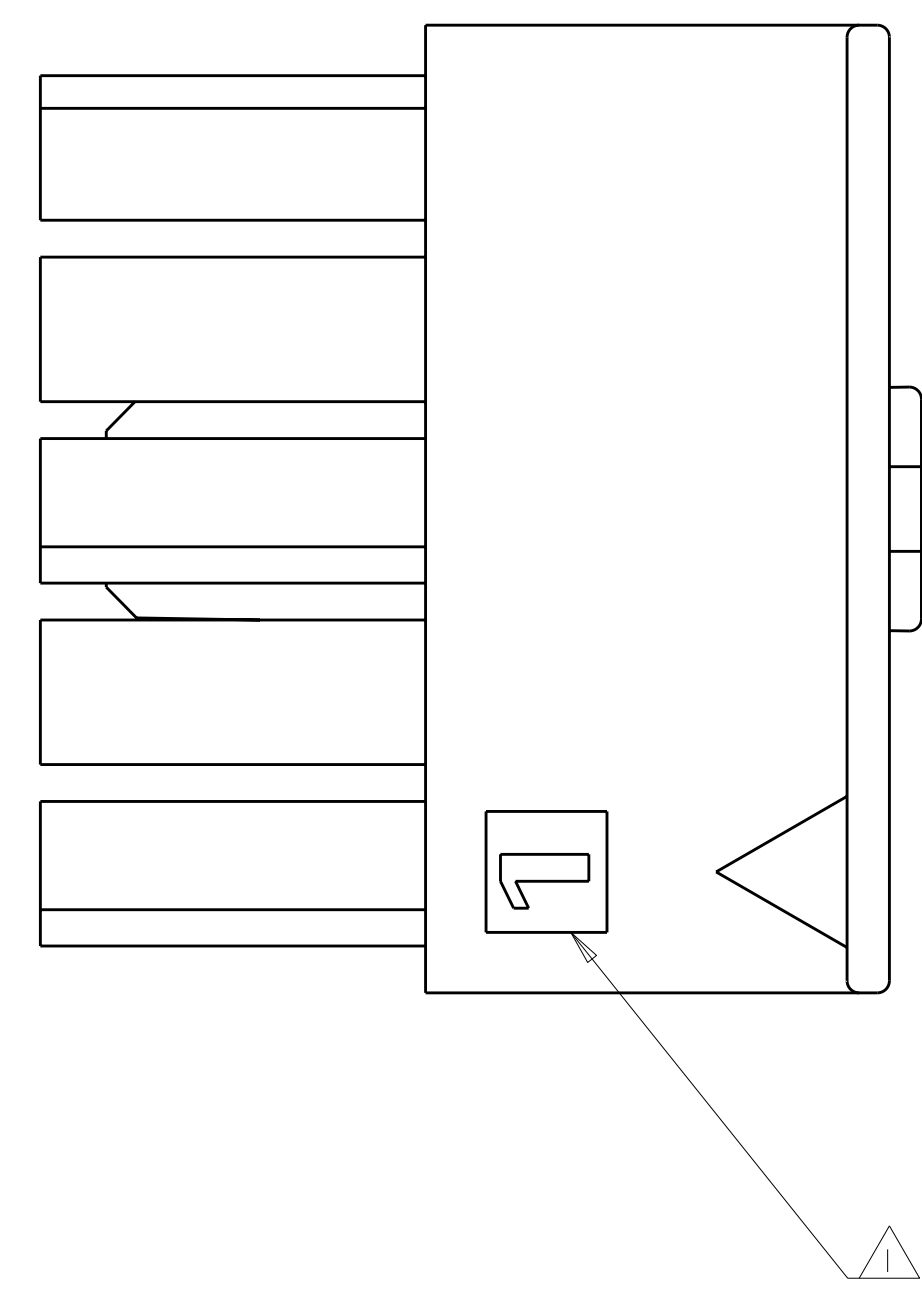
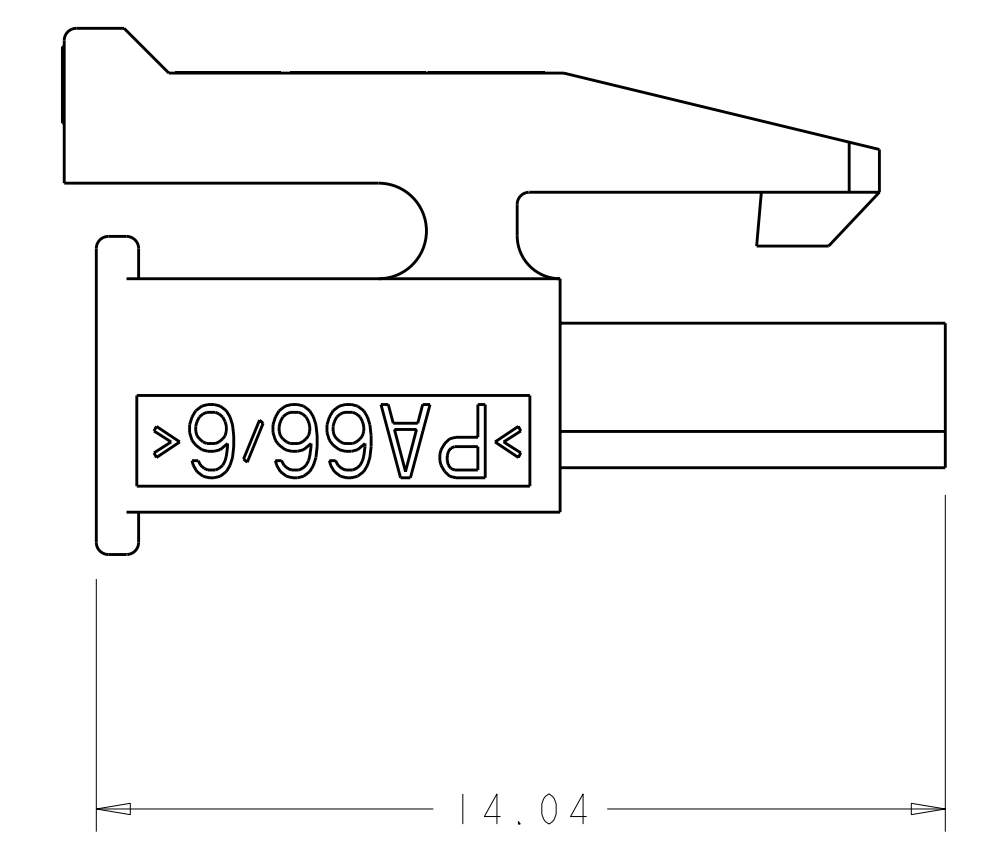
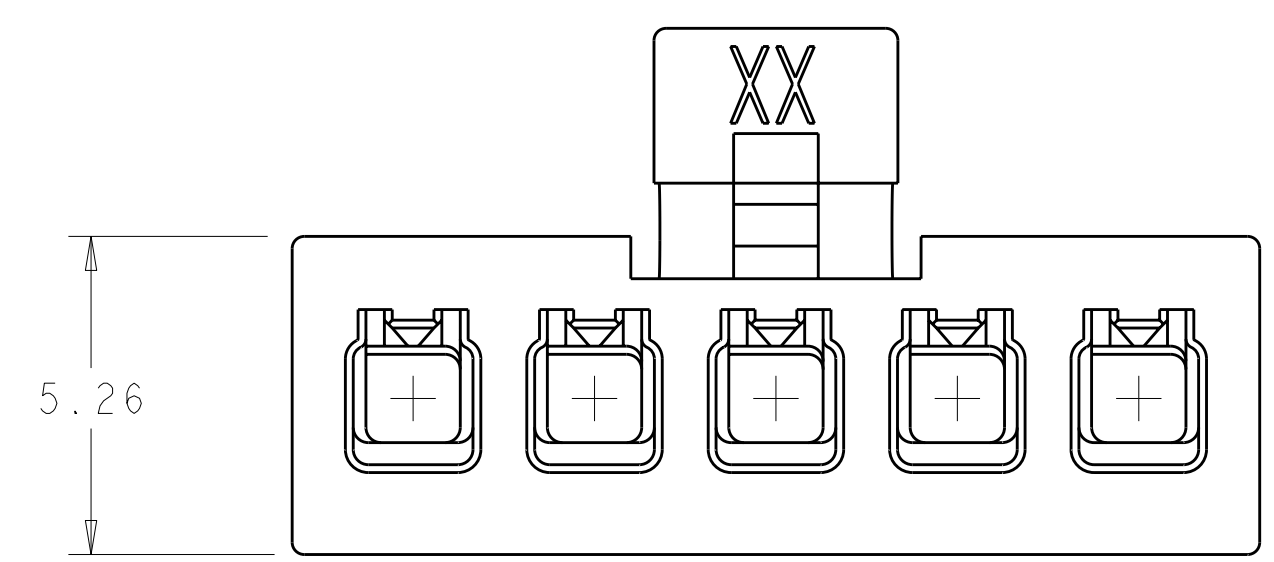
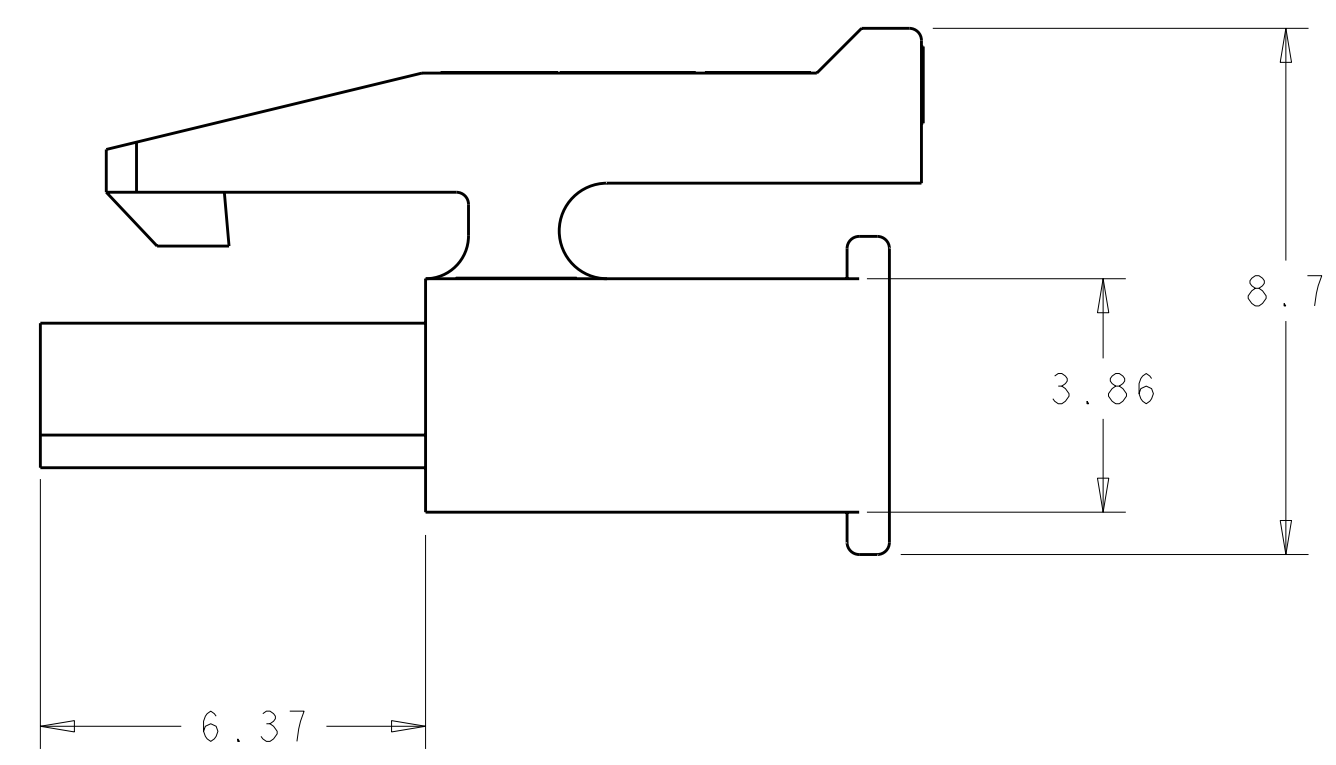
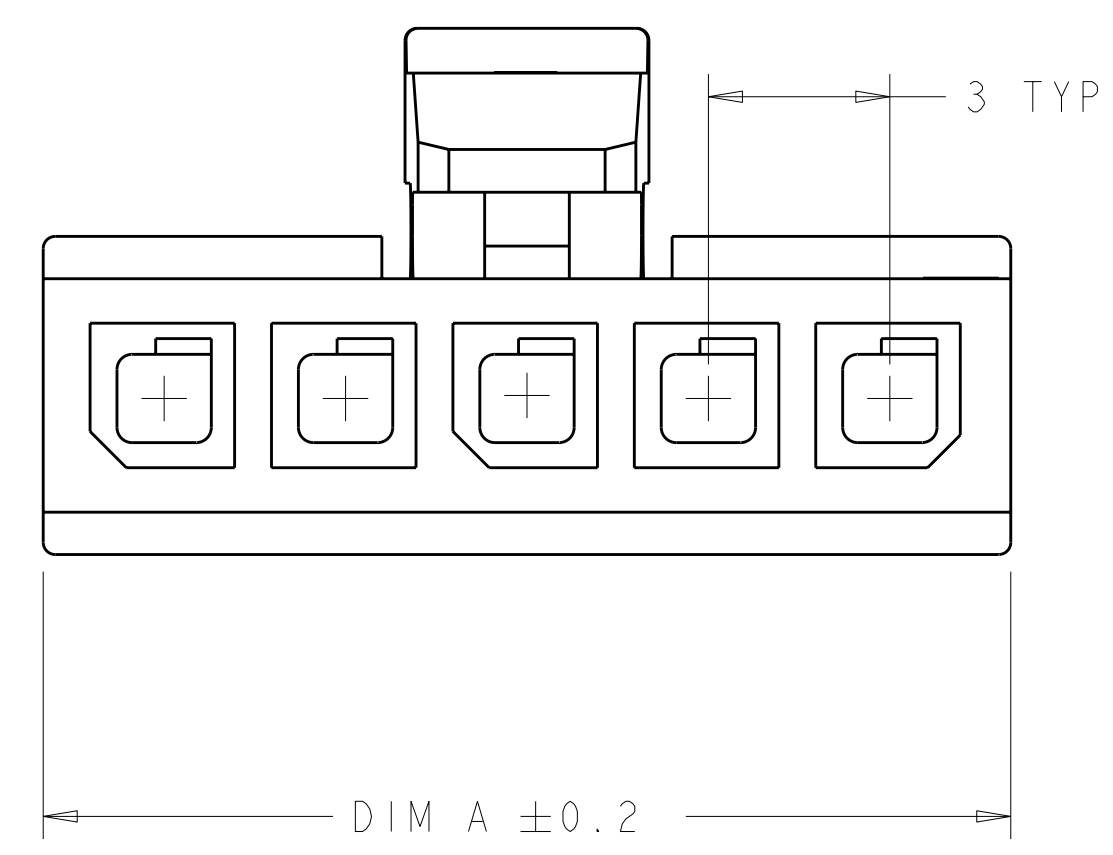
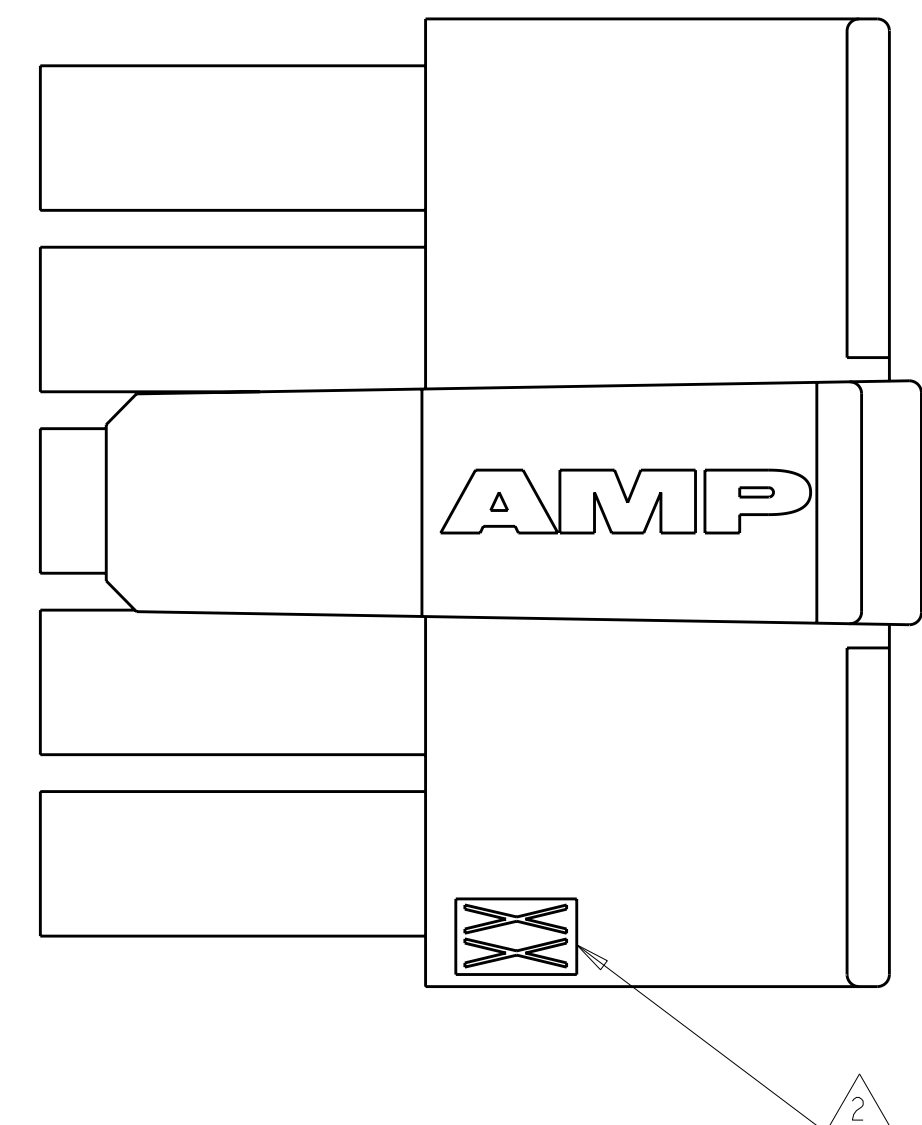


LOC	DIST	REVISIONS			
CM	00	REV	DATE	DWN	APVD
		C2	REVIS PER ECO-11-005027	14MAR2011	RK HMR

① CIRCUIT 1 IDENTIFIER, LOCATED APPROXIMATELY AS SHOWN.  
 ② LAST CIRCUIT IDENTIFIER, LOCATED APPROXIMATELY AS SHOWN.



VOLUME mm <sup>3</sup>	DIM A	NO OF POS.	PART NO.
1091.66	37	12	1-1445022-2
1011.3	34	11	1-1445022-1
929.64	31	10	1-1445022-0
847.19	28	9	1445022-9
768.32	25	8	1445022-8
686.23	22	7	1445022-7
605.73	19	6	1445022-6
525.93	16	5	1445022-5
444.06	13	4	1445022-4
363.34	10	3	1445022-3
282.61	7	2	1445022-2

THIS DRAWING IS A CONTROLLED DOCUMENT.

DIMENSIONS:	TOLERANCES UNLESS OTHERWISE SPECIFIED:	DWN	R. WHITAKER	14AUG2001
mm	0 PLC ±	CHK	C. JONES	14AUG2001
	1 PLC ±	APVD	C. JONES	14AUG2001
	2 PLC ±0.13	NAME		
	3 PLC ±	RECEPTACLE HOUSING,		
	4 PLC ±	2 TO 12 POSITION, SINGLE ROW,		
	ANGLES ±	MICRO MATE-L-LOK(TM)		
	FINISH ±1°	SIZE CAGE CODE DRAWING NO RESTRICTED TO		
MATERIAL	NYLON, UL 94V-0 BLACK	A100779C=1445022		
CUSTOMER DRAWING		SCALE 1:1 SHEET 1 OF 1 REV C2		

