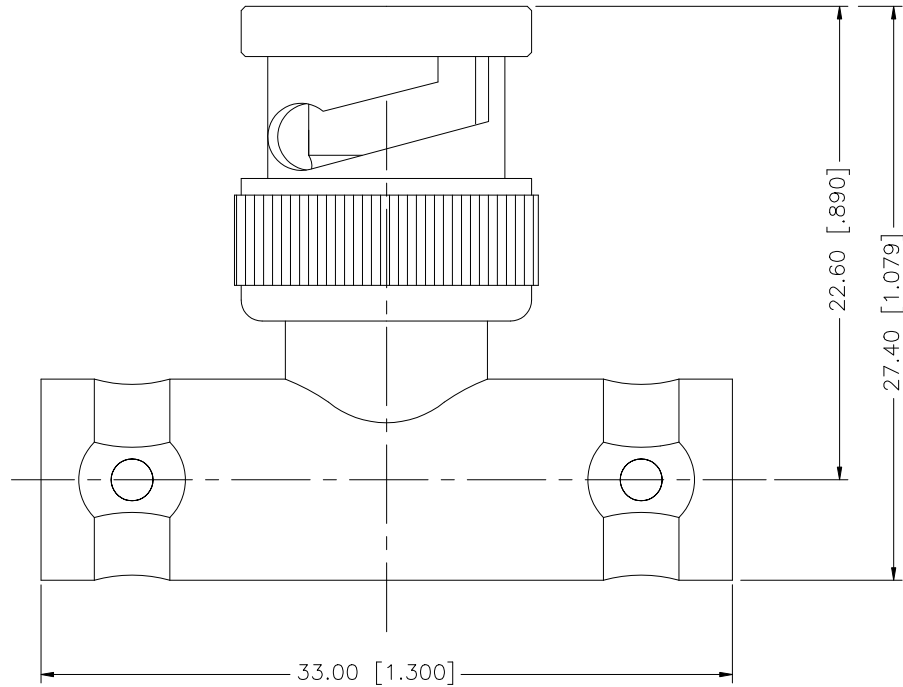


REV.	DATE	DESCRIPTION
NC	05/22/00	INITIAL RELEASE
A	07/16/07	UPDATE DRAWING FORMAT
B	01/09/08	REVISE BODY MATERIAL TO DIECAST, PLATING TO NICKEL



8				<small>UNLESS OTHERWISE SPECIFIED DIMENSIONS ARE IN MILLIMETERS. DIMENSIONS IN [] ARE IN INCHES AND FOR CUSTOMER REFERENCE ONLY.</small> <small>UNLESS OTHERWISE SPECIFIED TOLERANCES FOR MILLIMETERS ARE:</small> 0.5 - 8mm ± 0.20mm 8 - 30mm ± 0.40mm 30 - 120mm ± 0.50mm <small>UNLESS OTHERWISE SPECIFIED TOLERANCES FOR INCHES ARE:</small> .020 - .315 = ± 0.007" .315 - 1.180 = ± 0.015" 1.180 - 4.724 = ± 0.020" DO NOT SCALE DRAWING	APPROVALS	DATE	<h1 style="color: blue;">Amphenol Connex</h1>	
7			DRAWN		G.R.S.	01/09/08		<small>PART DESCRIPTION</small> BNC "T" ADAPTER / JACK-PLUG-JACK 50ohm
6			CHECKED					
5			ISSUED					
4			SHEET		1 OF 1			
3	CONTACT PIN	BRASS	GOLD	1			<small>PART NO.</small>	112461
2	INSULATOR	DELRIN	NATURAL	1			<small>DWG. NO.</small>	112461.DWG
1	BODY	DIECAST	NICKEL	1			<small>REV.</small>	B
	DESCRIPTION	MATERIAL	FINISH	QTY		<small>CAD FILE</small>		A
						C:/112/112461.DWG		NA