

RoHS
Compliant



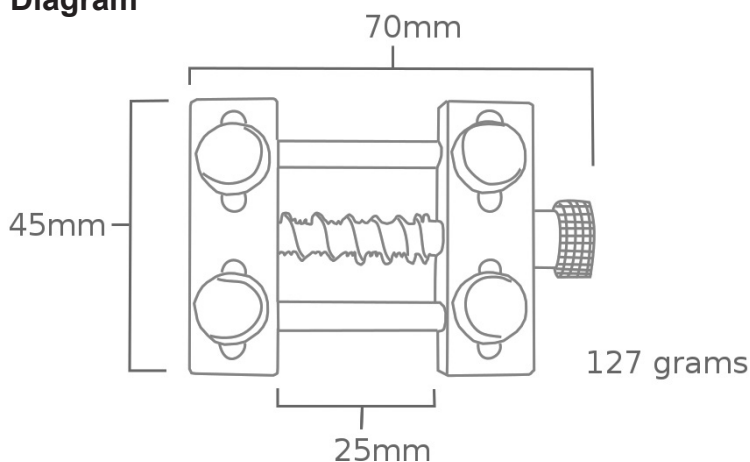
Description

The Non-marking nylon grips can be mounted on the top of the vice jaws in 12 different locations to hold curved, convex or concave objects. Ideal for modelling, repairing, painting or gluing applications. Alternatively, remove pins to use as a smooth jaw vice. This versatile mini vice is perfect for a wide range of precise hobby uses.

Features

- For holding smaller parts in place and working in detail
- Four non-marking nylon grips, easily repositioned to hold various shapes
- The recessed base is designed for use in larger bench vice
- Vice Jaw capacity: 30mm

Diagram



Dimensions : Millimetres

Part Number Table

Description	Part Number
Mini Vice, 30mm	MP002090

Important Notice : This data sheet and its contents (the "Information") belong to the members of the AVNET group of companies (the "Group") or are licensed to it. No licence is granted for the use of it other than for information purposes in connection with the products to which it relates. No licence of any intellectual property rights is granted. The Information is subject to change without notice and replaces all data sheets previously supplied. The Information supplied is believed to be accurate but the Group assumes no responsibility for its accuracy or completeness, any error in or omission from it or for any use made of it. Users of this data sheet should check for themselves the Information and the suitability of the products for their purpose and not make any assumptions based on information included or omitted. Liability for loss or damage resulting from any reliance on the Information or use of it (including liability resulting from negligence or where the Group was aware of the possibility of such loss or damage arising) is excluded. This will not operate to limit or restrict the Group's liability for death or personal injury resulting from its negligence. Multicomp Pro is the registered trademark of Premier Farnell Limited 2019.