

**Features**

- 1-channel isolated barrier
- 24 V DC supply (Power Rail)
- Dry contact or NAMUR inputs
- Input frequency 1 mHz ... 5 kHz
- Current output 0/4 mA ... 20 mA
- Relay and transistor output
- Start-up override
- Configurable by **PACTware™** or keypad
- Line fault detection (LFD)
- Up to SIL2 acc. to IEC 61508

**Function**

This isolated barrier is used for intrinsic safety applications. It is a universal frequency converter that changes a digital input (NAMUR sensor/mechanical contact) into a proportional free adjustable 0/4 mA ... 20 mA analog output and functions as a switch amplifier and a trip alarm.

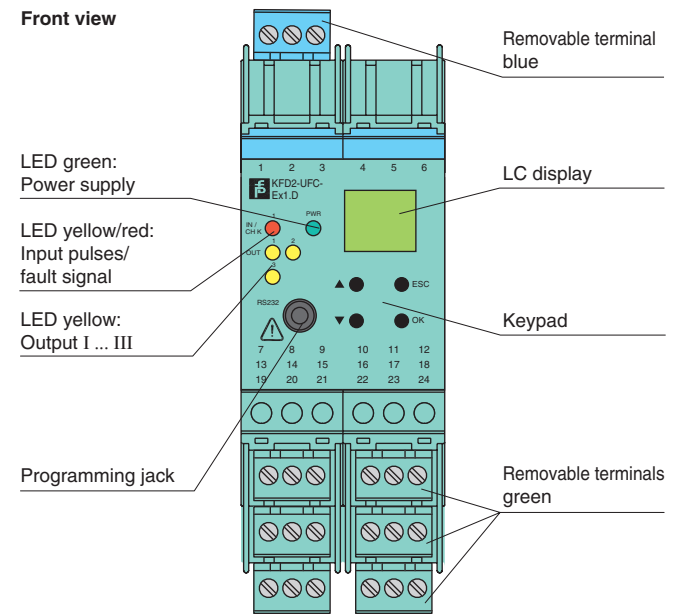
Also the functions of the switch outputs (2 relay outputs and 1 potential free transistor output) are easily adjustable [trip value display (min/max alarm), serially switched output, pulse divider output, error signal output].

The unit is easily programmed by the use of a keypad located on the front of the unit or with the **PACTware™** configuration software.

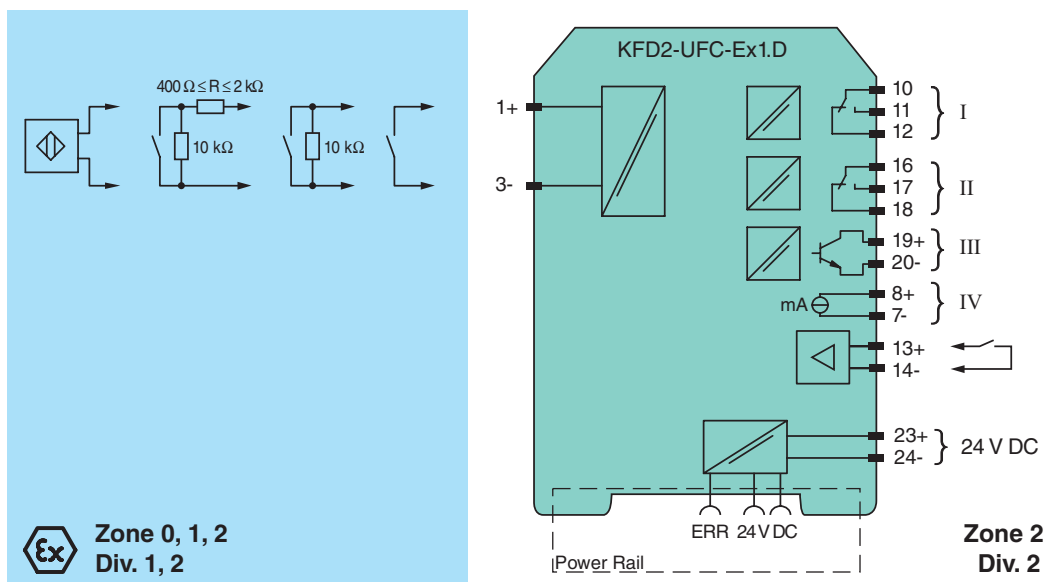
Line fault detection of the field circuit is indicated by a red LED and through the collective error output via Power Rail.

For additional information, refer to the manual and [www.pepperl-fuchs.com](http://www.pepperl-fuchs.com).

**Assembly**



**Connection**



Release date 2010-02-02 18:21 Date of issue 2010-03-19 188370\_ENG.xml

<b>General specifications</b>	
Signal type	Digital input
<b>Supply</b>	
Connection	terminals 23+, 24- or power feed module/Power Rail
Rated voltage	20 ... 30 V DC
Rated current	approx. 100 mA
Power loss/power consumption	≤ 2 W / 2.2 W
<b>Input</b>	
Connection	Input I: intrinsically safe: terminals 1+, 3- Input II: non-intrinsically safe: terminals 13+, 14-
Input I	acc. to EN 60947-5-6 (NAMUR), see system description for electrical data
Pulse duration	> 50 µs
Input frequency	0.001 ... 5000 Hz
Lead monitoring	breakage I ≤ 0.15 mA; short-circuit I > 6.5 mA
Input II	startup override: 1 ... 1000 s, adjustable in steps of 1 s
Active/Passive	I > 4 mA (for min. 100 ms) / I < 1.5 mA
Open circuit voltage/short-circuit current	18 V / 5 mA
<b>Output</b>	
Connection	output I: terminals 10, 11, 12 output II: terminals 16, 17, 18 output III: terminals 19+, 20- output IV: terminals 8+, 7-
Collective error message	Power Rail
Output I, II	signal, relay
Contact loading	250 V AC / 2 A / $\cos \phi \geq 0.7$ ; 40 V DC / 2 A
Mechanical life	5 x 10 <sup>7</sup> switching cycles
Energized/De-energized delay	approx. 20 ms / approx. 20 ms
Output III	electronic output, passive
Contact loading	40 V DC
Signal level	1-signal: (L+) - 2.5 V (50 mA, short-circuit/overload proof) 0-signal: switched off (off-state current ≤ 10 µA)
Output IV	analog
Current range	0 ... 20 mA or 4 ... 20 mA
Open loop voltage	≤ 24 V DC
Load	≤ 650 Ω
Fault signal	downscale I ≤ 3.6 mA , upscale ≥ 21.5 mA (acc. NAMUR NE43)
<b>Transfer characteristics</b>	
Input I	
Measurement range	0.001 ... 5000 Hz
Resolution	0.1 % of the measurement value , ≥ 0.001 Hz
Accuracy	0.1 % of the measurement value , > 0.001 Hz
Measuring time	< 100 ms
Influence of ambient temperature	0.003 %/°C (30 ppm)
Output I, II	
Response delay	≤ 200 ms
Output IV	
Resolution	< 10 µA
Accuracy	< 20 µA
Influence of ambient temperature	0.005 %/°C (50 ppm)
<b>Electrical isolation</b>	
Output I, II/other circuits	reinforced insulation according to IEC 61140, rated insulation voltage 300 V <sub>eff</sub>
Mutual output I, II, III	reinforced insulation according to IEC 61140, rated insulation voltage 300 V <sub>eff</sub>
Output III/power supply and collective error	basic insulation according to IEC 62103, rated insulation voltage 50 V <sub>eff</sub>
Output III/start-up override	Basic insulation according to IEC 61140, rated insulation voltage 50 V <sub>eff</sub>
Output III/IV	basic insulation according to IEC 62103, rated insulation voltage 50 V <sub>eff</sub>
Output IV/power supply and collective error	functional insulation acc. to IEC 62103, rated insulation voltage 50 V <sub>eff</sub>
Start-up override/power supply and collective error	functional insulation acc. to IEC 62103, rated insulation voltage 50 V <sub>eff</sub>
Interface/power supply and collective error	functional insulation acc. to IEC 62103, rated insulation voltage 50 V <sub>eff</sub>
Interface/Output III	basic insulation according to IEC 62103, rated insulation voltage 50 V <sub>eff</sub>
<b>Directive conformity</b>	
Electromagnetic compatibility	

Release date 2010-02-02 18:21 Date of issue 2010-03-19 188370\_ENG.xml

Directive 2004/108/EC	EN 61326-1:2006
Low voltage	
Directive 2006/95/EC	EN 50178:1997
<b>Conformity</b>	
Insulation coordination	IEC 62103
Electrical isolation	IEC 62103
Electromagnetic compatibility	NE 21
Protection degree	IEC 60529
Protection against electric shock	IEC 61140
Input	EN 60947-5-6
<b>Ambient conditions</b>	
Ambient temperature	-20 ... 60 °C (-4 ... 140 °F)
<b>Mechanical specifications</b>	
Protection degree	IP20
Mass	300 g
Dimensions	40 x 119 x 115 mm (1.6 x 4.7 x 4.5 in) , C3 housing type
<b>Data for application in connection with Ex-areas</b>	
EC-Type Examination Certificate	TÜV 99 ATEX 1471 , for additional certificates see <a href="http://www.pepperl-fuchs.com">www.pepperl-fuchs.com</a>
Group, category, type of protection	⊕ II (1)GD, I (M1) [Ex ia] IIC, [Ex iaD], [Ex ia] I (-20 °C ≤ T <sub>amb</sub> ≤ 60 °C)
Supply	
Maximum safe voltage U <sub>m</sub>	40 V DC (Attention! U <sub>m</sub> is no rated voltage.)
Input I	terminals 1+, 3- Ex ia IIC, Ex iaD
Voltage U <sub>o</sub>	10.1 V
Current I <sub>o</sub>	13.5 mA
Power P <sub>o</sub>	34 mW (linear characteristic)
Input II	terminals 13+, 14- non-intrinsically safe
Maximum safe voltage U <sub>m</sub>	40 V (Attention! The rated voltage can be lower.)
Output I, II	terminals 10, 11, 12; 16, 17, 18 non-intrinsically safe
Maximum safe voltage U <sub>m</sub>	253 V (Attention! The rated voltage can be lower.)
Contact loading	253 V AC/2 A/cos φ > 0.7; 40 V DC/2 A resistive load (TÜV 99 ATEX 1471)
Output III	terminals 19+, 20- non-intrinsically safe
Maximum safe voltage U <sub>m</sub> U <sub>m</sub>	40 V (Attention! U <sub>m</sub> is no rated voltage.)
Output IV	terminals 8+, 7- non-intrinsically safe
Maximum safe voltage U <sub>m</sub>	40 V DC (Attention! U <sub>m</sub> is no rated voltage.)
Interface	RS 232
Maximum safe voltage U <sub>m</sub>	40 V (Attention! U <sub>m</sub> is no rated voltage.)
Statement of conformity	TÜV 02 ATEX 1885 X , observe statement of conformity
Group, category, type of protection, temperature classification	⊕ II 3G Ex nA nC IIC T4
Output I, II	
Contact loading	50 V AC/2 A/cos φ > 0.7; 40 V DC/1 A resistive load
Electrical isolation	
Input I/other circuits	safe electrical isolation acc. to IEC/EN 60079-11, voltage peak value 375 V
Directive conformity	
Directive 94/9/EC	EN 60079-0:2006, EN 60079-11:2007, EN 60079-15:2005, EN 60079-26:2007, EN 61241-0:2006, EN 61241-11:2006
<b>International approvals</b>	
FM approval	
Control drawing	16-538FM-12
<b>General information</b>	
Supplementary information	EC-Type Examination Certificate, Statement of Conformity, Declaration of Conformity, Attestation of Conformity and instructions have to be observed where applicable. For information see <a href="http://www.pepperl-fuchs.com">www.pepperl-fuchs.com</a> .

Release date 2010-02-02 18:21 Date of issue 2010-03-19 188370\_ENG.xml

## Accessories

### Power feed modules KFD2-EB2...

The power feed module is used to supply the devices with 24 V DC via the Power Rail. The fuse-protected power feed module can supply up to 100 individual devices depending on the power consumption of the devices. A galvanically isolated mechanical contact uses the Power Rail to transmit collective error messages.

### Power Rail UPR-03

The Power Rail UPR-03 is a complete unit consisting of the electrical inset and an aluminium profile rail 35 mm x 15 mm. To make electrical contact, the devices are simply engaged.

**The Power Rail must not be fed via the device terminals of the individual devices!**

### PACT<sub>ware</sub>™

Device-specific drivers (DTM)

### Adapter K-ADP1

Programming adapter for parameterisation via the serial RS 232 interface of a PC/Notebook

For programming, please use the new version of adapter K-ADP1 (part no. 181953, connector length 14mm). When using the previous version K-ADP1 (connector length 18 mm) the plug is exposed by approx. 3 mm. The function is not affected.

### Adapter K-ADP-USB

Programming adapter for parameterisation via the serial USB interface of a PC/Notebook