

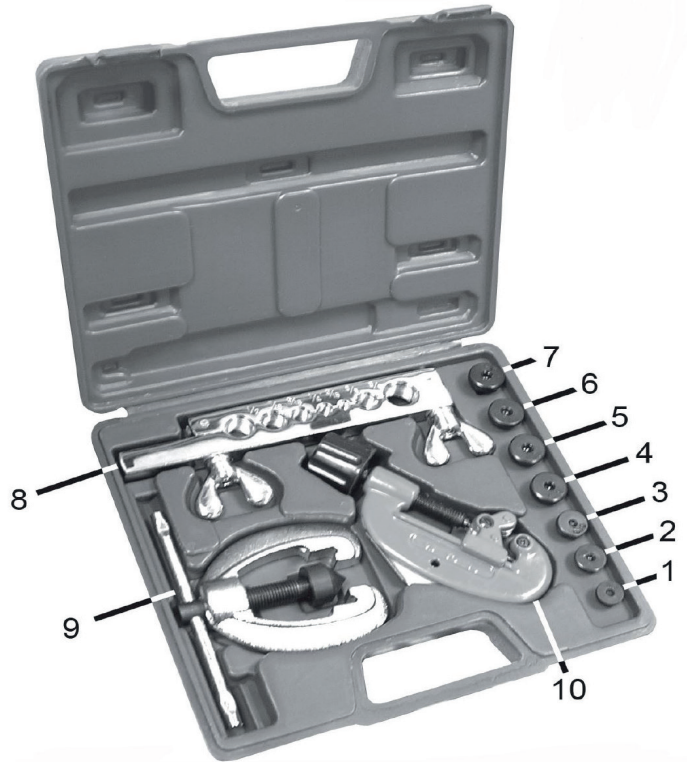


Parts Information:
Pipe Flaring & Cutting Kit
Model No: AK505 & AK506.V2

AK505



AK506.V2



Item	Part No.	Description
1	AK506.V2-03	Adaptor 3/16"
2	AK506.V2-04	Adaptor 1/4"
3	AK506.V2-05	Adaptor 5/16"
4	AK506.V2-06	Adaptor 3/8"
5	AK506.V2-07	Adaptor 7/16"

Item	Part No.	Description
6	AK506.V2-08	Adaptor 1/2"
7	AK506.V2-09	Adaptor 5/8"
8	AK506.V2-02	Retaining Bracket
9	AK506.V2-10	Flare Press
10	AK506.V2-01	Tube Cutter (AK506.V2 only)

NOTE: It is our policy to continually improve products and as such we reserve the right to alter data, specifications and component parts without prior notice.

IMPORTANT: No liability is accepted for incorrect use of product. Spare parts must be fitted by a competent person

WARRANTY: Guarantee is 12 months from purchase date, proof of which will be required for any claim.

Sealey Group, Kempson Way, Suffolk Business Park, Bury St Edmunds, Suffolk. IP32 7AR



01284 757500



01284 703534



sales@sealey.co.uk



www.sealey.co.uk