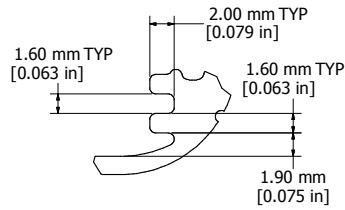
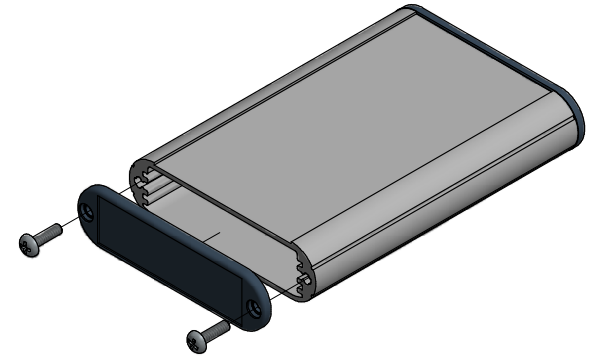


EXTRUSION

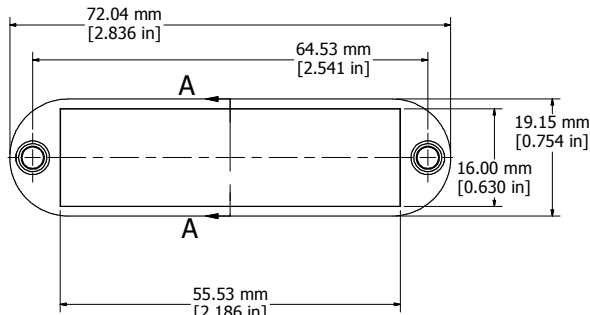
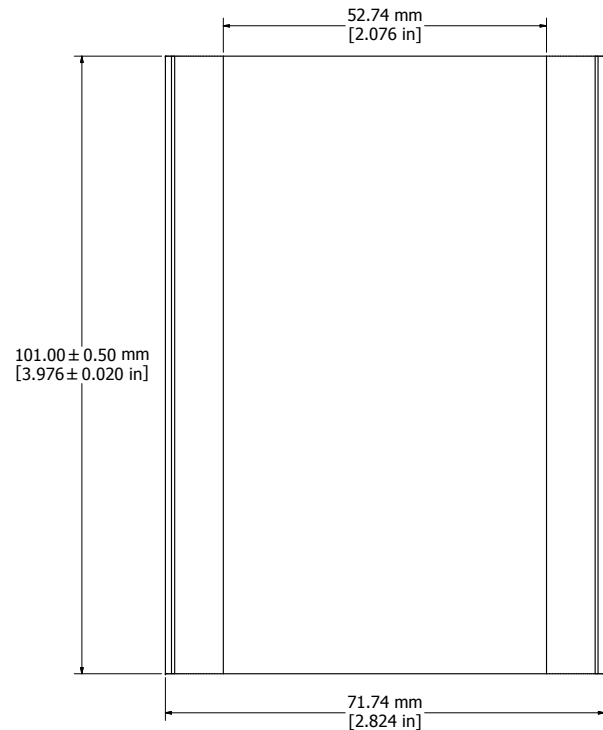


DETAIL A

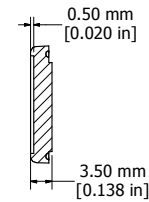


EXPLODED ISOMETRIC VIEW

\*\*DESIGNED FOR 60MM WIDE PC BOARD\*\*



BEZEL



SECTION A-A

Enclosures can be Factory Modified ( Milling, Drilling, Printing etc. )  
Solid models of this enclosure available in STEP or IGES.  
Contact Factory [mjm@hammondmfg.com](mailto:mjm@hammondmfg.com)

NOTE	
Purchased assembly includes box, plastic bezels, #6 Taptight screws and self adhesive rubber feet.	
Box made from Extruded Aluminum 6063.	
Bezels made from polycarbonate.	

1455B1002	
PART NUMBERS	
Clear Anodized	1455B1002
Black Anodized	1455B1002BK
Blue Anodized	1455B1002BU
ACCESSORIES	
See website for accessories.	

**1455B1002**  
[www.hammondmfg.com](http://www.hammondmfg.com)