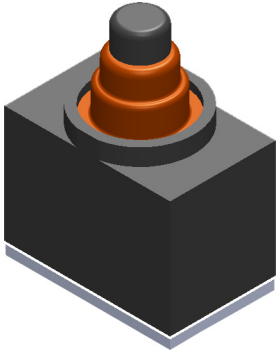


Detector Switch Lead Terminal Type

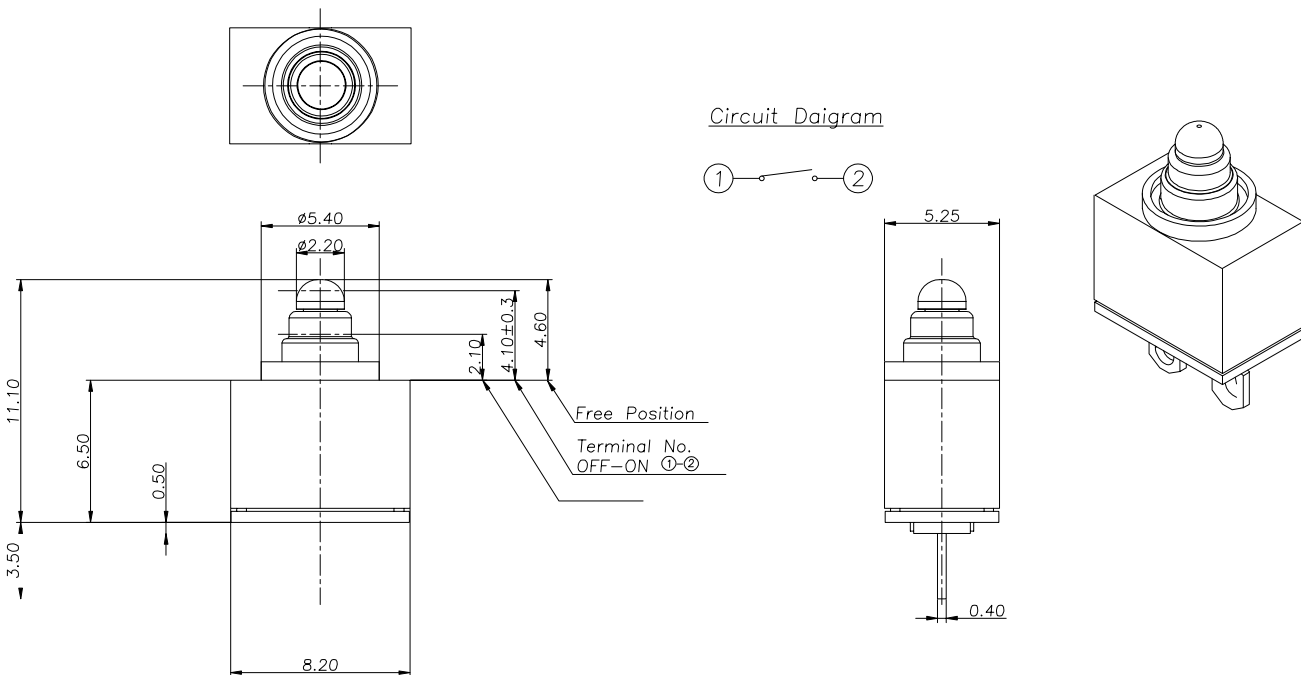
multicomp PRO



Specification

Rating	: 0.1A, 12V DC / 50 μ A, 5V DC
Initial Contact Resistance	: 500 Ω max.
Insulation Resistance	: 100M Ω min. 500V DC
Dielectric Strength.	: 500V AC / 1 minute
Operating Force	: 1 \pm 0.5N
Operating Life	: 300,000 cycles Min.
General Tolarances	: \pm 0.2mm
Operating Temp.	: -40°C to +85°C
Storage Temp.	: -40°C to +85°C
Ambient Temperature	: 5°C to 35°C
Air Pressure	: 86 to 106 kpa

Diagram



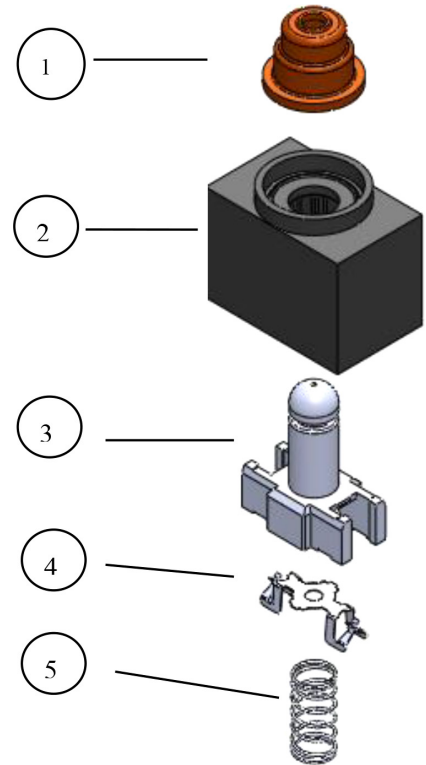
Dimensions : Millimetres

Newark.com/multicomp-pro
Farnell.com/multicomp-pro
sg.element14.com/b/multicomp-pro

multicomp PRO

Detector Switch Lead Terminal Type

Item	Description.	Materials	Treatment
1.	Silicone Rubber	Silicone	Orange/Green
2.	Cover	High Temp Thermoplastic	Black
3.	Stem	High Temp Thermoplastic	Black
4.	Contact	Copper Alloy	With Ag Plating
5.	Spring	Stainless Steel	--
6.	Terminal	High Temp Thermoplastic	White



Part Number Table

Description	Part Number
Detector Switch, Normally Open, NON, 0.1A, 12V DC	MPTE-11N2V1

Important Notice : This data sheet and its contents (the "Information") belong to the members of the AVNET group of companies (the "Group") or are licensed to it. No licence is granted for the use of it other than for information purposes in connection with the products to which it relates. No licence of any intellectual property rights is granted. The Information is subject to change without notice and replaces all data sheets previously supplied. The Information supplied is believed to be accurate but the Group assumes no responsibility for its accuracy or completeness, any error in or omission from it or for any use made of it. Users of this data sheet should check for themselves the Information and the suitability of the products for their purpose and not make any assumptions based on information included or omitted. Liability for loss or damage resulting from any reliance on the Information or use of it (including liability resulting from negligence or where the Group was aware of the possibility of such loss or damage arising) is excluded. This will not operate to limit or restrict the Group's liability for death or personal injury resulting from its negligence. Multicomp Pro is the registered trademark of Premier Farnell Limited 2019.