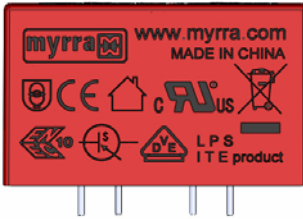


MAIN FEATURES:



- 7.5W Small Compact Size - PCB Mount
- Single Output - Regulated
- Output Range : 3.3VDC - 24VDC
- Input Range : 85VAC - 265VAC/47 - 63Hz Or 120VDC - 370VDC
- Very Low Standby Power Consumption < 0.15W
- Better Energetic Efficiency : Meet Requirements Of Energy Star And EC Code Of Conduct
- Encapsulated Design And Same Footprint As EI38 Transformer: Upgrade Your Application Without Redesign Of PCB
- Safety : EN61558-2-16,EN60950,EN60335,UL/CUL60950,CE, VDE,ENEC
- Materials : Uses UL 94-V0 Plastic And Resin
- EMC : Conducted And Radiated Emissions Conform To EN55014 CLASS B , EN55022 CLASS B And FCC Part 15
- Immunity Conform To EN61000-3-3,EN61000-4-2, EN61000-4-3,EN61000-4-4,EN61000-4-5, EN61000-4-6, EN61000-4-8, EN61000-4-11

Part No	Power Rating Watts	Output Voltage (VDC)	Output Current (mA)	Ambient Temp. (°C)	Efficiency Typical	Input Range
47206	7.5	3.3	2270	50	>74%@230VAC	85VAC-265VAC (120VDC-370VDC)
47200	7.5	5	1500	70	>77%@230VAC	
47201	7.5	9	830	70	>80%@230VAC	
47202	7.5	12	625	70	>82%@230VAC	
47203	7.5	15	500	70		
47204	7.5	18	420	70		
47205	7.5	24	310	70		

Note: Other Output Voltages Are Available Upon Request



7.5 Watt AC-DC Switch Power Supply

Model: 7.5 Watt		Specification
AC Input Characteristics	Rated AC input Voltage	100~240Vac Or 140VDC-340VDC
	AC Input Voltage Range	85~265Vac Or 120VDC-370VDC
	AC Input Frequency Range	47Hz~63Hz
	Rated AC Input Frequency	50/60Hz
	Input Current	0.3A Max@85Vac~265Vac, at full load
	Input Inrush Current	40A Max @85Vac~265Vac input, cold start, full load
	Standby Power	0.15W Max((Meet Requirements Of Energy Star And EC Code Of Conduct)
DC Output Characteristics	Output Voltage Accuracy	± 2% (5V,9V,12V,15V,18V,24V Types) ± 3%(3.3V Type)
	Output Voltage Line Regulation	± 0.5%
	Output Voltage Load Regulation	± 1%(5V,9V,12V,15V,18V,24V Types) ± 3%(3.3V Type)
	Ripple & Noise	Max 180mVp-p@ Rated AC input, at nominal line (The measuring will be terminated with a 47uF AL E-Cap and a 0.1uF Cer-Cap. An oscilloscope set at 20MHz bandwidth)
	Dynamic Response	The output voltage shall not exceed +10% rated output voltage @ 10%←→90% Load change, 1A/uS , 1KHz 50% duty cycle
	Overshoot	The output voltage shall not exceed +10% rated output voltage @ Power on and 85Vac~265Vac input, and DC with full load
	Undershoot	The output voltage shall not exceed -10% rated output voltage @ Power off and 85Vac~265Vac input and DC output with full load
	Hold Up Time	5mS Min@ 100Vac ~240Vac, DC output with full load



7.5 Watt AC-DC Switch Power Supply

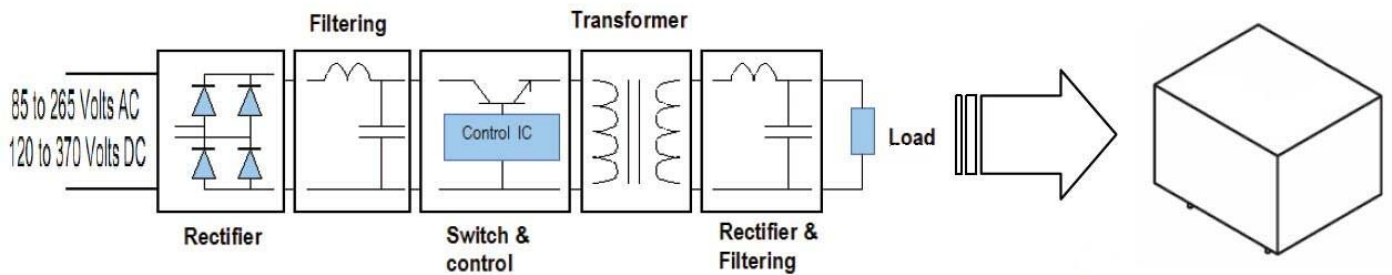
	Turn On Delay	3S max @ 85Vac~265Vac input and DC output with full load
	Rise Time	50ms Max @ 85Vac~265Vac input and DC output with full load
	Efficiency	Average efficiency meet Energy Star level VI and COC level V stage I
Protection Characteristics	Over Current Protection	The power supply shall automatic protection. The power supply shall auto-recovery normal operation after the deformation is removed. No excessive heat, odor, or plastic deformation shall occur, no safety hazard
	Output Short Circuit Protection	The power supply shall withstand a continuous output short without damage in 24 hours; The short may be applied before power on, or after power on; The power supply shall resume normal operation after the short is removed, no excessive heat, odor, or plastic deformation shall occur, no safety hazard
Environmental	Operation Temperature	-20°C ~ +Ta (see table)
	Operation Humidity	10~ 90% RH(No Condensing) @ full load
	Storage Temperature	-40°C~ +85°C
	Storage Humidity	5%~95%
	Cooling Method	Ordinary or thermostat
Safety & EMC Requirement	Dielectric Strength	Primary to Secondary: 4000Vac 5mA, 3 sec .
	Radiation	Meet EN55022,EN55014,FCC, part 15, Class B. under 3dB margin
	Conduction	Meet EN55022,EN55014, FCC, part 15,Class B. under 3dB margin
	Power Clamp Radiation	Meet EN 55014-1: 2006+A1: 2009+A2:2011
	Lightning Surge	EN61000-4-5:2006, Level II. 1KV



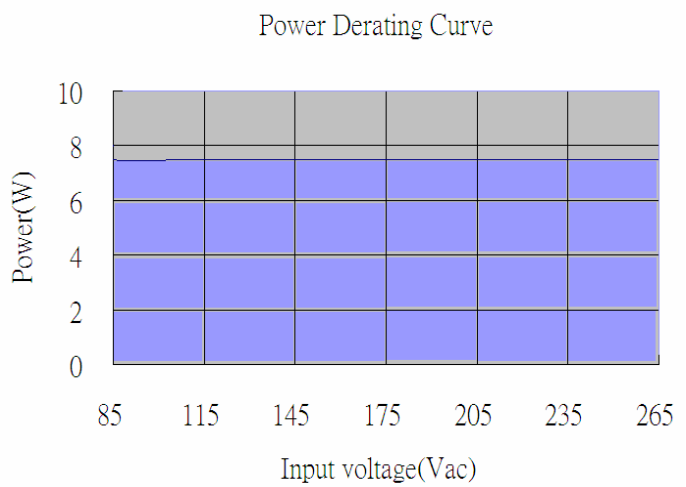
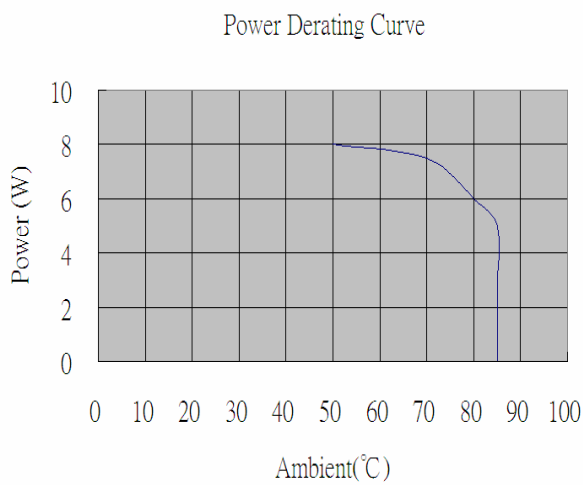
7.5 Watt AC-DC Switch Power Supply

	Electric Fast Transient	Meeting EN61000-4-4:2012, 1KV
	Voltage Dips And Interruptions	Meeting EN61000-4-11:2004
	Voltage Fluctuation And Flicker	Meeting EN61000-3-3:2013
	Electrostatic Discharge	Meeting EN61000-4-2:2009 Contact Discharge $\pm 4KV$, Air Discharge $\pm 8KV$
	RF Field Strength Susceptibility	Meeting EN61000-4-3:2006+A1:2008+A2:2010
	Conducted Susceptibility	Meeting EN61000-4-6:2014
	Power Frequency Magnetic Field Susceptibility	Meeting EN61000-4-8:2010
	Safety Standards	Meet all requirements of UL/CUL60950 EN60950 EN60335 EN61558-2-16 CE,VDE,And ENEC Mark
Reliability Requirement	MTBF	Calculated by MIL-HDBK-217-F2 5V,9V,12V,15V,18V,24V Types: 200K Hours Min. @230VAC input, 70deg.C 3.3V type: 200K Hours Min. @230VAC input, 50deg.C
	Burn-In Test	The unit shall be burned in for 2~ 5hours under 230Vac input and DC with full load at an ambient temperature of 30~45 degrees C
Mechanical	Physical Size	The units do not including PINs of input and output, and dimension is (L)41.0*(W)35.0*(H)24.5 \pm 0.5mm (see appearance drawing)
	Net Weight	About 56 grams per product unit
Guarantee	This product meet to RoHS standard	

SCHEMATIC



DERATING GRAPH



DIMENSIONS And PINOUT

4 PINS

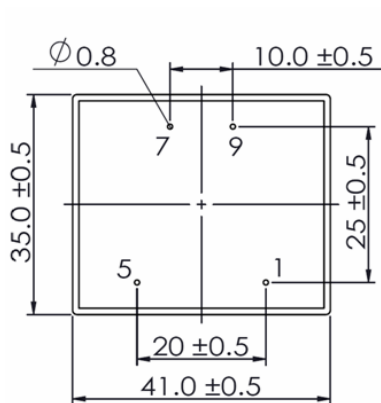
PRI:

Pins 1 – 5: AC Or DC Input

SEC:

Pin 7 : DC Output +V

Pin 9 : DC Output 0V



(View From Pins Side)

