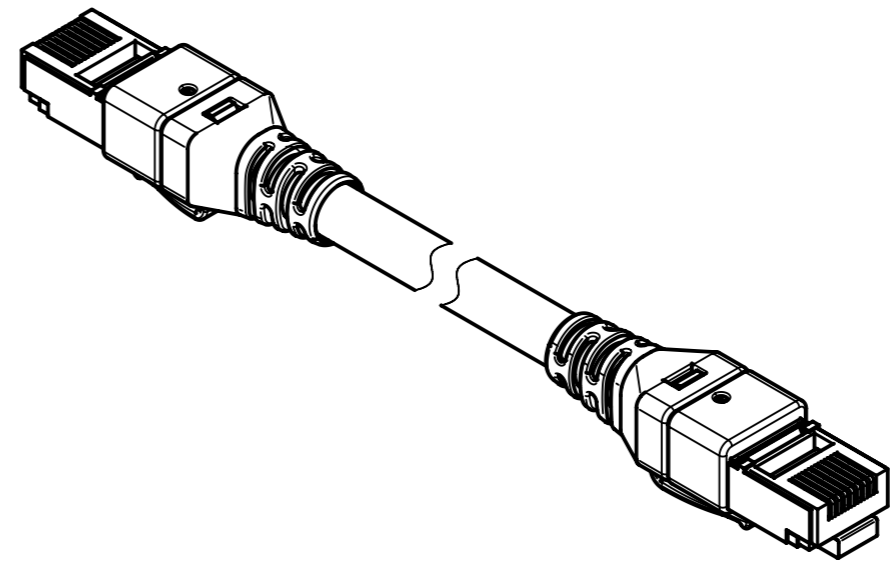
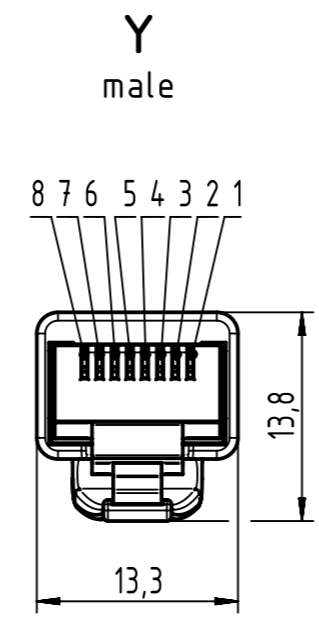
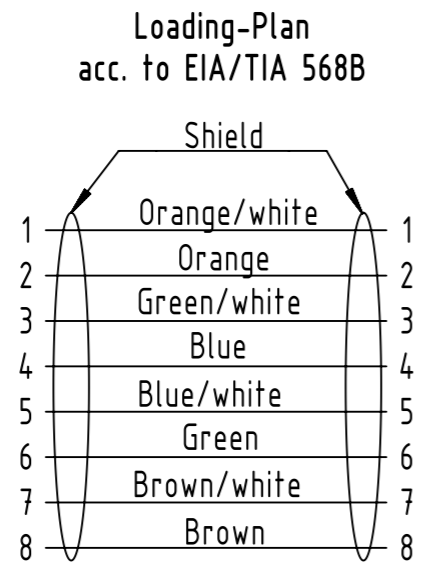
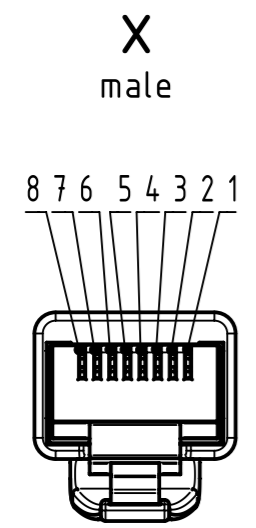
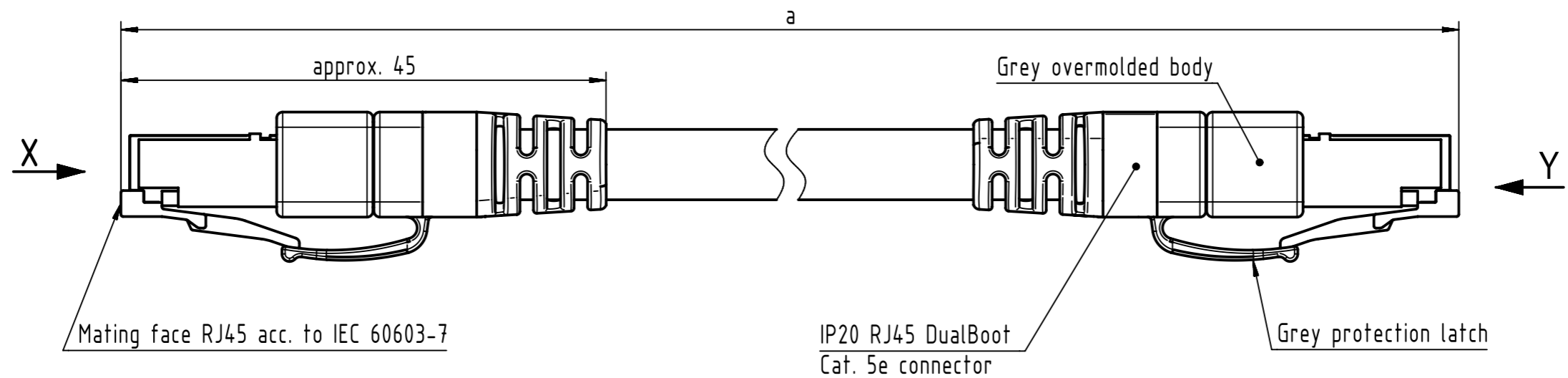


Connector Location A

Connector Location B



length in "1m" step	100	XXX=000
	99	XXX=990
	.	.
	12	XXX=120
length in "0.1m" step	11	XXX=110
	10	XXX=100
	9.9	XXX=099
	9.8	XXX=098
	.	.
	0.5	XXX=005
	0.4	XXX=004
	0.3	XXX=003
0.2	XXX=002	
Step	a [m]	XXX

6.0 to 100	±1%
0.6 to 5.9	+0.04
0.2 to 0.5	+0.02
a [m]	Tolerance

Cat.5e FRNC Ethernet Cable, AWG26/7, F/UTP, grey	09488686569XXX
Type of cable	Part no.

NOTE:
 * For lengths < 1.0m:
 - relative positioning of the connectors to each other will be as presented in the drawing, however with an admissible angular deviation around cable axis of ± 30°
 * For lengths ≥ 1.0m:
 -relative positioning of the connectors to each other not obligatory
 * Ethernet transmission possible for lengths up to 45m

	All rights reserved	Created by COSTEA	Inspected by MUNTEANV	Standardisation AVRAM	Date 2017-07-17	State Final Release
	Department HCS - RO	Title RJ Industrial Cable Assembly		Doc-Key / ECM-Nr. 100577971/UGD/001/B 500000122261		
HARTING Customised Solutions D-32427 Minden	Type TB	Number 09488686569XXX		Rev. B	Page 1/1	