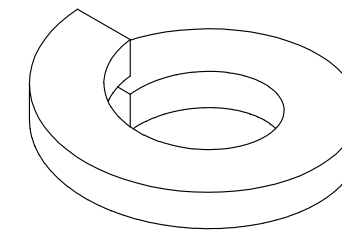
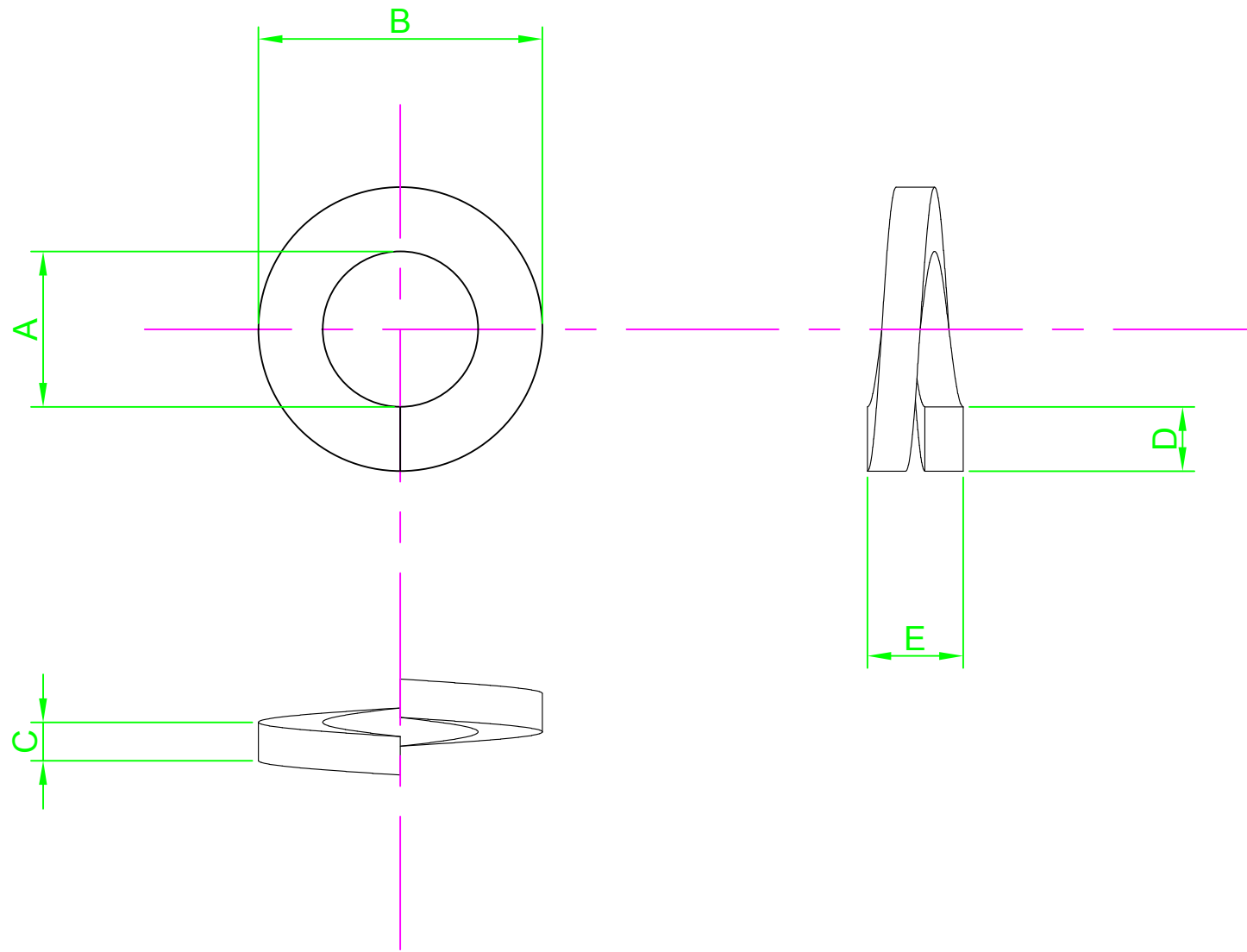


DO NOT SCALE DRAWING



REVISION

A INITIAL DRAWING 01.10.15

Part Number	ØA Max	ØB Max	C Nom	D Nom	E Max
DM2 - SRA2WA S100	2.4	4.4	0.5	0.9	1.2
DM2.5 - SRA2WA S100	2.9	5.1	0.6	1.0	1.4

NOTES:



DESIGN RIGHT. TR FASTENINGS LTD, 2003
 UNDER NO CIRCUMSTANCES MUST THIS
 DRAWING BE COPIED OR DISCLOSED
 WITHOUT FIRST OBTAINING WRITTEN
 AUTHORITY.

UNLESS OTHERWISE SPECIFIED:
 DIMENSIONS ARE IN MM (MILLIMETERS).
 SURFACE FINISH:
 TOLERANCES: DIN127

	NAME	DATE
DRAWN	Darryl Wilson	01.10.15
CHK'D		
APPVD		

MATERIAL:
 STAINLESS STEEL A2

HEAT TREATMENT:

TITLE:
 Rectangular Section Spring Washer DIN127B

CUSTOMER PART NUMBER:
 N/A

FINISH:
 Self Finish

DRAWING NUMBER:
 DSRA2WAS100

A4

PROJECTION

