

Power Rocker Switches

DESCRIPTION

Issued 09/02

1654196

- Full line of single or double-pole power rocker switches for three different industry compatible panel cut-out sizes



Photo 112300-1

Series PRA
.51 [13.0] x .76 [19.2]
Panel Cut-out



Photo 112301-1

Series PRB
.54 [13.8] x 1.09 [27.6]
Panel Cut-out



Photo 112302

Series PRD
1 [25.4] x 1.09 [27.6]
Panel Cut-out

APPLICATIONS

- | | | | |
|--|--|---|--|
| <ul style="list-style-type: none"> • Vacuums • Power Tools • Floor Care Equipment • Small Appliances • Lighting | <ul style="list-style-type: none"> • Saunas • Instrumentation • Medical Equipment • Lawn Equipment • Power Strips | <ul style="list-style-type: none"> • Ranges • Vent Hoods • Office Equipment • Welding Equipment | <ul style="list-style-type: none"> • Industrial Control Panels • Industrial Machinery • Industrial HVAC |
|--|--|---|--|

ELECTRICAL

- | | |
|--|---|
| <ul style="list-style-type: none"> • Current: 16A@125 VAC 1/3 HP
10A@250 VAC 1/2 HP
PRA Series Double Pole:
7A@125 VAC
6A@250 VAC • Inrush Current: 50A/3msec (capacitive load) | <ul style="list-style-type: none"> • Contact Resistance (initial): <50m Ohms • Dielectric Strength (initial): >1500 VAC, 1 min. • Insulation Resistance (initial): >100Mohms min. • Electrical Life Endurance: >6000 operations • Voltage drop: <100 mV |
|--|---|

MECHANICAL

- | | |
|--|---|
| <ul style="list-style-type: none"> • Operating Life Endurance: up to >100,000 operations | <ul style="list-style-type: none"> • Actuating Force:
Series PRA 150g min., 650g max.
Series PRB 300g min., 700g max.
Series PRD 850g min., 1250g max. |
|--|---|

MATERIALS

- | | |
|--|--|
| <ul style="list-style-type: none"> • Housing: Nylon 6/6 UL 94V-2 • Rocker: Nylon 6/6 UL 94V-2 or Polycarbonate UL 94V-2 • Contact: Silver-tin Oxide | <ul style="list-style-type: none"> • Terminals, Active contactor: Silver plated copper alloy • Plunger: Nickel plated copper alloy • Spring: Steel Wire |
|--|--|

STANDARDS & SPECS

- UL Approved - File No. E46765

FOR MORE INFORMATION

Technical Support

Phone: 1-800-522-6752

Internet: www.tycoelectronics.com

E-mail: newproducts@tycoelectronics.com

new product

Series PRA

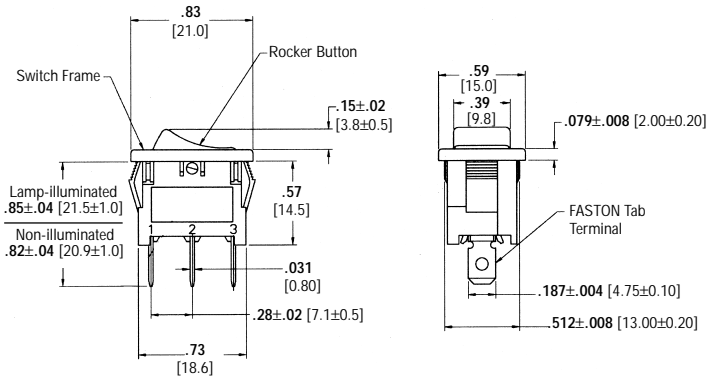
.51 [13.0] x .76 [19.2] Panel Cutout

FEATURES & BENEFITS

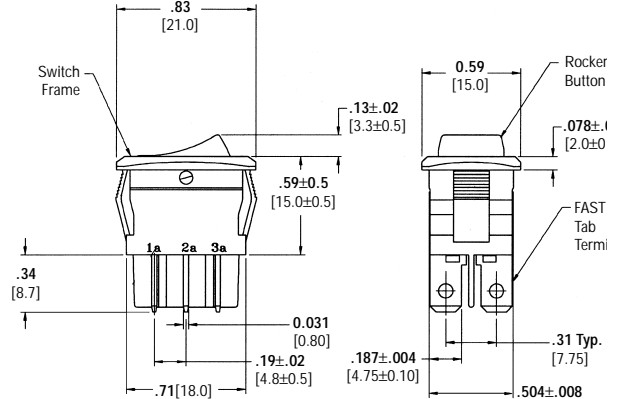
- Easy to install snap-in mounting
- Dust resistant
- Dual color rocker option
- Full-illuminated rocker option
- LED or incandescent window illuminated option
- Wide range of marking options and functions available
- Solder lugs or .187 FASTON Tab terminals
- Cost competitive

PRODUCT DIMENSIONS

Single-Pole, Lamp Illuminated or Non-Illuminated



Double-Pole, Non-Illuminated



ALCOSWITCH PART NUMBER

<p>Switch Type PR Power Rockers</p> <p>Panel Cut-out Size A .51 [13.0] x .76 [19.2]</p> <p>Number of Poles S Single Pole D Double Pole</p> <p>Switch Functions A1 ON-OFF; opaque, single-color rocker button A2 ON-OFF; opaque, dual-color rocker button A3 (ON)-OFF; opaque, single-color rocker button B1 ON-OFF; transparent, lamp-illuminated rocker button B2 ON-OFF; opaque, with lamp window, lamp-illuminated rocker button C1 ON-OFF; opaque, with LED window, LED-illuminated rocker button D1 ON-ON; opaque, single-color rocker button D2 ON-(ON); opaque, single-color rocker button D3 ON-OFF-ON; opaque, single-color rocker button D4 ON-OFF-(ON); opaque, single-color rocker button</p> <p>Power Rating 07 7A @ 125 VAC; 6A @ 250 VAC (Double-pole only) 16 16A, 1/3 Hp @ 125 VAC (Single-pole only) 10A, 1/2 Hp @ 250 VAC</p>	<p>Legend Text Color 0 Not Applicable R Red B Black W White G Green</p> <p>Legend Text Pattern 0 Not Applicable E --= A Dot F o B o-- G --o= C o H ON OFF D </p> <p>Secondary Rocker Color, Window Color, or LED Color 0 Not Applicable G Green A Amber R Red C Clear W White</p> <p>Rocker Color A Amber G Green B Black R Red C Clear W White</p> <p>Frame Color B Black W White</p> <p>Terminal Type F FASTON Tab L Solder Lug</p>
---	--

PRODUCT OFFERING

Part Numbers	
Alcoswitch	Tyco Electronics
PRASA1-16F-BB000	1571076-9
PRASA1-16F-BB0BW	1-1571076-0
PRASA1-16F-BB0CW	1-1571076-1
PRASA1-16L-BB000	1-1571076-2
PRASA1-16L-BB0BW	1-1571076-3
PRASA1-16L-BB0CW	1-1571076-4
PRASA1-16F-BR000	1-1571076-5
PRASA1-16L-BR000	1-1571076-6
PRASA1-16F-BBRBR	1-1571076-7
PRASB2-16F-BR000	1571078-2
PRASB2-16F-BBR00	1571078-4
PRASDA-16F-BB000	1571079-4
PRASD1-16F-BB0DW	1571079-5
PRASD1-16F-BB0EW	1571079-6

Part Numbers	
Alcoswitch	Tyco Electronics
PRASD3-16F-BB000	1571079-7
PRASD3-16F-BB0FW	1571079-8
PRASD3-16F-BB0GW	1571079-9
PRASD2-16F-BB000	1-1571079-0
PRASD2-16F-BB0DW	1-1571079-1
PRASD2-16F-BB0EW	1-1571079-2
PRASD4-16F-BB000	1-1571079-3
PRASD4-16F-BB0FW	1-1571079-4
PRASD4-16F-BB0GW	1-1571079-5
PRASC1-16F-BBR00	1571083-2
PRADA1-07F-BB000	1571084-1
PRADA1-07F-BB0BW	1571084-2
PRADA1-07F-BB0CW	1571084-3
PRADA1-07F-BR000	1571084-4

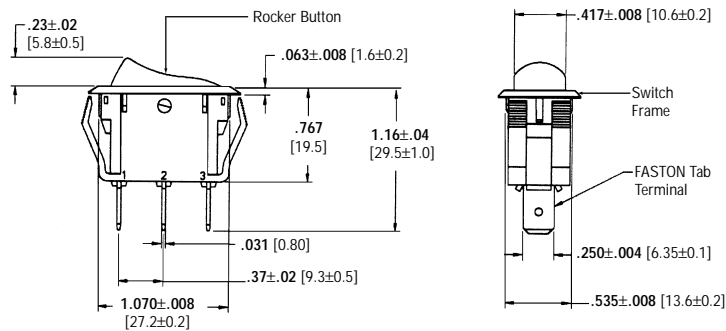
Part Numbers	
Alcoswitch	Tyco Electronics
PRADA1-07F-BR0BW	1571084-5
PRADD1-07F-BB000	1571086-1
PRADD1-07F-BB0DW	1571086-2
PRADD1-07F-BB0EW	1571086-3
PRADD3-07F-BB000	1571086-4
PRADD3-07F-BB0FW	1571086-5
PRADD3-07F-BB0GW	1571086-6
PRADD2-07F-BB000	1571086-7
PRADD2-07F-BB0DW	1571086-8
PRADD2-07F-BB0EW	1571086-9
PRADD4-07F-BB000	1-1571086-0
PRADD4-07F-BB0FW	1-1571086-1
PRADD4-07F-BB0GW	1-1571086-2

Series PRB .54 [13.8] x 1.09 [27.6] Panel Cutout

FEATURES & BENEFITS

- Easy to install snap-in mounting
- Dual color rocker option
- Full-illuminated rocker option
- LED window illuminated option
- Wide range of marking options and functions available
- Solder lugs or .250 FASTON Tab terminals
- Cost competitive

PRODUCT DIMENSIONS



ALCOSWITCH PART NUMBER

<p>Switch Type PR Power Rockers</p> <p>Panel Cut-out Size B .54 [13.8] x 1.09 [27.6]</p> <p>Number of Poles S Single Pole</p> <p>Switch Functions A1 ON-OFF; opaque, single-color rocker button A2 ON-OFF; opaque, dual-color rocker button B1 ON-OFF; transparent, lamp-illuminated rocker button C1 ON-OFF; opaque, with LED window, LED-illuminated rocker button D1 ON-ON; opaque, single-color rocker button D3 ON-OFF-ON; opaque, single-color rocker button</p> <p>Power Rating 16 16A, 1/3 Hp @ 125 VAC 10A, 1/2 Hp @ 250 VAC</p> <p>Terminal Type F FASTON Tab L Solder Lug</p>	<p>PR B S XX — XX X — X X X X X X</p>	<p>Legend Text Color 0 Not Applicable R Red B Black W White G Green</p> <p>Legend Text Pattern 0 Not Applicable E -- = A Dot F o B o -- G -- o = C o H ON OFF D </p> <p>Secondary Rocker Color or LED Color 0 Not Applicable G Green A Amber R Red B Black W White C Clear</p> <p>Rocker Color A Amber G Green B Black R Red C Clear W White</p> <p>Frame Color B Black W White</p>
--	---------------------------------------	---

PRODUCT OFFERING

Part Numbers	
Alcoswitch	Tyco Electronics
PRBSC1-16F-BBR00	1571087-1
PRBSC1-16L-BBR00	1571087-2
PRBSA1-16F-BB000	1571091-1
PRBSA1-16F-BB0BW	1571091-2
PRBSA1-16F-BB0CW	1571091-3
PRBSA1-16L-BB000	1571094-4
PRBSA1-16L-BB0BW	1571091-5
PRBSA1-16L-BB0CW	1571091-6
PRBSA1-16F-BR000	1571091-7
PRBSA1-16L-BR000	1571091-8
PRBSA1-16F-BB0HW	1571091-9
PRBSA1-16F-BR0HW	1-1571091-0
PRBSA1-16F-BW000	1-1571091-1
PRBSA1-16F-BW0HB	1-1571091-2

Part Numbers	
Alcoswitch	Tyco Electronics
PRBSB1-16F-BR000	1571092-1
PRBSB1-16F-BA000	1571092-3
PRBSB1-16F-BC000	1571092-4
PRBSD1-16F-BB000	1571094-1
PRBSD1-16F-BB0DW	1571094-2
PRBSD1-16F-BB0EW	1571094-3
PRBSD3-16F-BB000	1571094-4
PRBSD3-16F-BB0FW	1571094-5
PRBSD3-16F-BB0GW	1571094-6
PRBSD3-16F-BW000	1571094-7

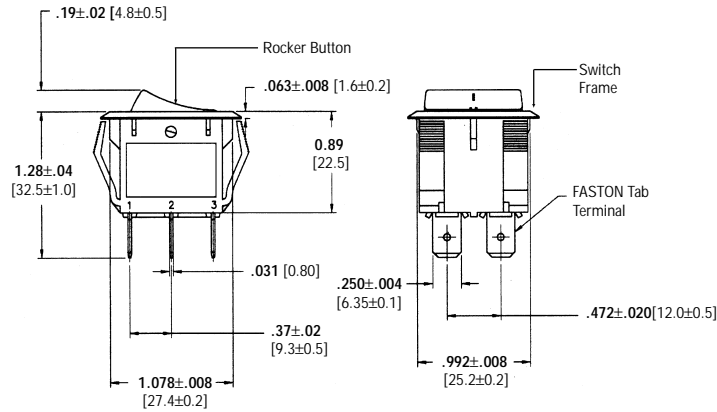
Series PRD

1.00 [25.4] x 1.09 [27.6] Panel Cutout

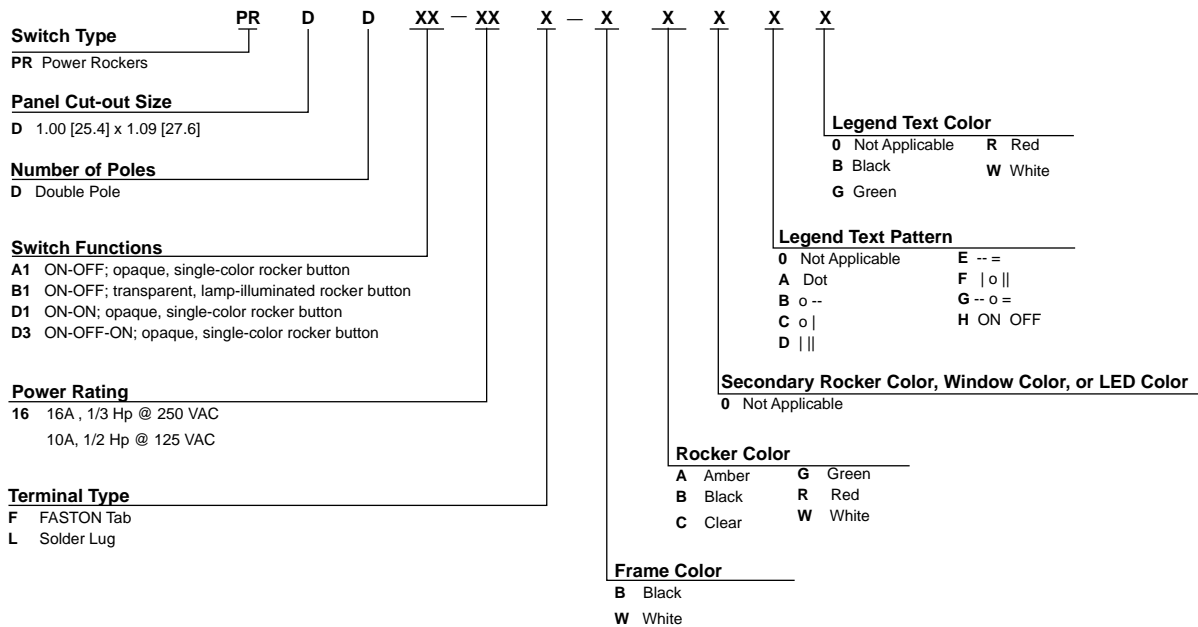
FEATURES & BENEFITS

- Easy to install snap-in mounting
- Full illuminated rocker option
- Wide range of marking options and functions available
- Solder lug or FASTON .250 Tab terminals
- Cost competitive

PRODUCT DIMENSIONS



ALCOSWITCH PART NUMBER



PRODUCT OFFERING

Part Numbers	
Alcoswitch	Tyco Electronics
PRDDA1-16F-BB000	1571103-1
PRDDA1-16F-BB0BW	1571103-2
PRDDA1-16F-BB0CW	1571103-3
PRDDA1-16F-BR000	1571103-4
PRDDA1-16F-BB0HW	1571103-5
PRDDA1-16F-BR0HW	1571103-6
PRDDD3-16F-BR000	1571113-7

Part Numbers	
Alcoswitch	Tyco Electronics
PRDDB1-16F-BR000	1571112-1
PRDDD1-16F-BB000	1571113-1
PRDDD1-16F-BB0DW	1571113-2
PRDDD1-16F-BB0EW	1571113-3
PRDDD3-16F-BB000	1571113-4
PRDDD3-16F-BB0FW	1571113-5
PRDDD3-16F-BB0GW	1571113-6

tyco
Electronics