

Kauschen DIN 65457

Galv. verzinkt

Ehemals DIN 6899 Form A

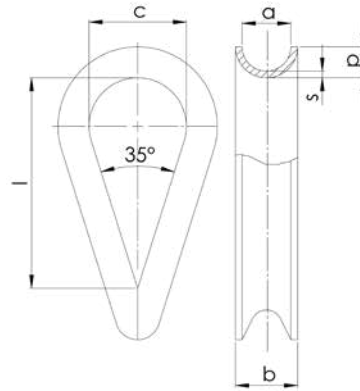
Werkstoff: Stahlblech
 Anwendungsbereich: In Verbindung mit Drahtseilen anzuwenden

Thimbles DIN 65457

Galvanized

Formerly DIN 6899 Form A

Material: Steel sheet
 Application range: To use in combination with wire ropes



Artikel-Nr.	Seil-Ø	a	b	c	l	p	s	Gewicht per 100 Stk.	Stück pro VPE
Article-No.	Rope-Ø							Weight per 100 pcs.	Units per bag
	[mm]	[mm]	[mm]	[mm]	[mm]	[mm]	[mm]	[kg]	
19000300	2,5	3	4,0	10	21,5	2,0	0,5	0,13	100
19000350*	3,0	4	5,5	11	23,5	2,8	1,0	0,35	100
19000400	3,5	4	5,5	12	26,5	3,0	1,0	0,43	100
19000500	4,0	5	6,5	13	28,5	3,5	1,0	0,69	100
19000600	5,0	6	8,0	14	30,0	4,0	1,0	0,80	100
19000700	6,0	7	9,0	15	33,0	4,5	1,0	1,01	100
19000800	7,0	8	10,0	16	35,0	5,2	1,2	1,01	100
19000900	8,0	9	11,5	18	39,0	5,7	1,2	1,60	100
19001000	9,0	10	12,5	20	43,0	6,5	1,5	1,98	100
19001100	10,0	11	14,0	22	47,5	7,0	1,5	2,95	100
19001200*	11,0	12	15,0	24	51,0	7,5	1,5	3,70	50
19001300*	12,0	13	16,6	26	56,0	8,3	1,8	5,25	50
19001400*	13,0	14	19,0	28	61,0	9,8	2,5	7,25	50
19001600*	15,0	16	22,0	32	69,0	11,2	3,0	8,33	50
19001800*	16,0	19	25,0	35	78,0	12,9	3,0	17,90	25
19002000*	18,0	20	28,0	40	86,0	14,0	4,0	27,00	25
19002200*	20,0	22	32,0	44	95,0	16,2	5,0	35,50	25
19002600*	24,0	26	38,0	48	105,0	19,3	6,0	52,00	25

) * Sonderabmessung: entspricht nicht der DIN

) * Special dimension: not conform to DIN standard