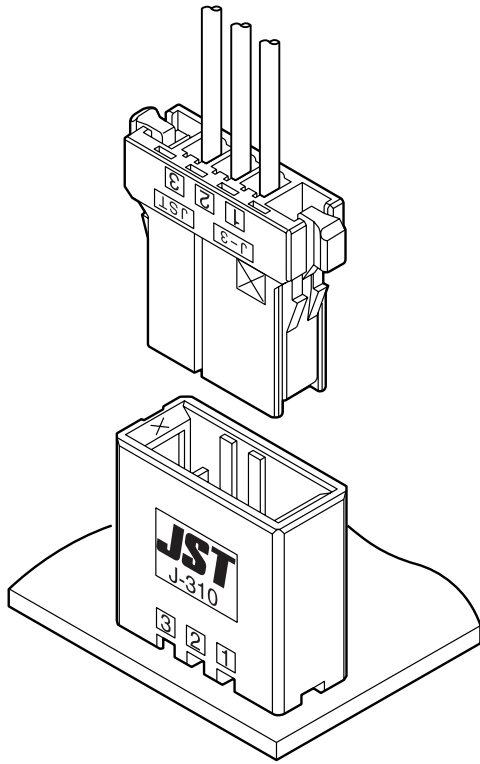


JFA CONNECTOR J300 SERIES

3.81, 5.08mm pitch/Disconnectable Crimp style connectors(Wire-to-board/Wire-to-wire)



Connectors for signal circuit or power supply circuit, applicable to the factory automation, heavy electric machinery, and other industrial equipment in general. In spite of the various kinds of housings available, their contacts are designed to be common. The applicable tooling can be standardized.

- Double-spring construction
- Housing lances
- Secure locking method
- Recognition mark

Specifications

- Current rating: 15A AC, DC (Single circuit/AWG #14)
- Voltage rating: 310, 340 series [3.81mm pitch] 250V AC, DC
320, 350 series, 360T [5.08mm pitch] 600V AC, DC
- Temperature range: -55°C to +105°C
(including temperature rise in applying electrical current)
- Contact resistance: Initial value/5mΩ max.
After environmental testing/10mΩ max.
- Insulation resistance: 1,000MΩ min.
- Withstanding voltage:
310, 340 series [3.81mm pitch] 1,500V AC/minute
320, 350 series, 360T [5.08mm pitch] 2,200V AC/minute
- Applicable wire: AWG #28 to #14 (0.08 to 2.0mm²)
- Applicable PC board thickness: 1.6 to 2.4mm

*Contact JST for details.

*RoHS compliant products are published.

Current rating

Unit: A

Circuits	Wire size (AWG)							
	#14	#16	#18	#20	#22	#24	#26	#28
1	15.0	14.0	11.5	9.5	8.0	6.5	5.75	4.75
2	13.5	13.5	11.25	9.25	7.5	6.25	5.5	4.5
3	12.25	12.25	10.5	8.5	7.0	5.75	5.0	4.1
4	11.25	11.25	10.0	8.0	6.5	5.5	4.75	4.0
5	10.5	10.5	9.5	7.5	6.25	5.25	4.5	4.0
6	9.75	9.75	9.0	7.0	6.0	5.0	4.25	3.75
8	9.0	9.0	8.25	6.5	5.5	4.5	3.75	3.25
9	8.5	8.5	8.0	6.25	5.25	4.5	3.75	3.25
10	8.5	8.5	8.0	6.25	5.25	4.5	3.75	3.25
12	8.25	8.25	7.75	6.0	5.0	4.0	3.5	3.0
16	8.0	8.0	7.5	6.0	4.75	4.0	3.5	3.0
20	8.0	8.0	7.25	6.0	4.5	4.0	3.5	2.75

Standards

Recognized E60389

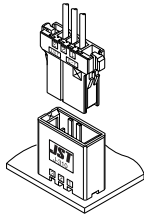
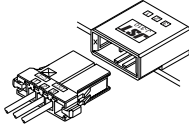
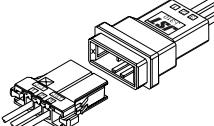
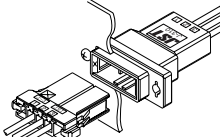
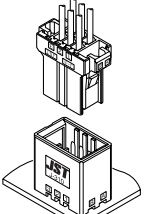
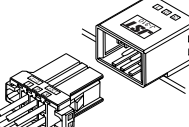
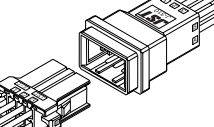
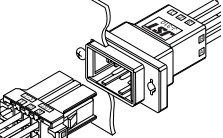
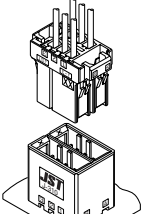
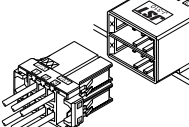
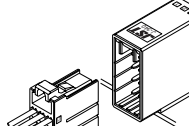
Certified LR20812

J-50015641

JFA CONNECTOR/J300 SERIES

List of J300 series products

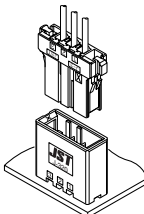
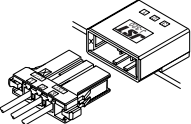
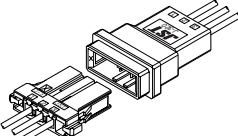
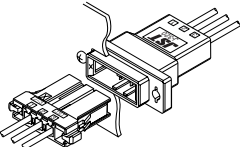
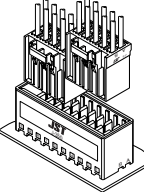
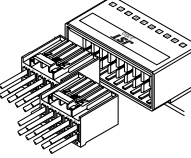
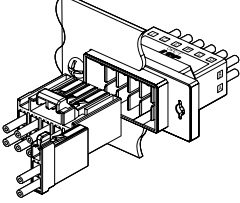
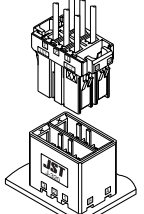
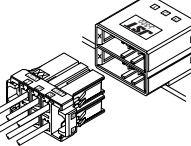
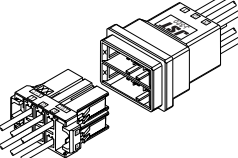
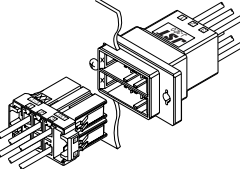
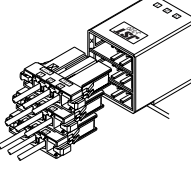
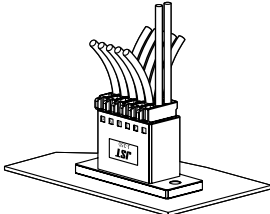
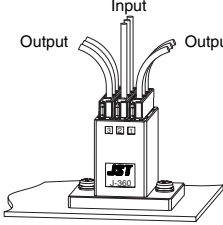
3.81mm pitch / Voltage rating 250V AC, DC

Type	Wire-to-board		Wire-to-wire	
	Top entry type	Side entry type	Free hanging type	Panel mounting type
J310S Single-row type				
Circuits	3, 4, 5, 6, 8, 10	3, 4, 5, 6, 8, 10	3, 5, 8, 10	3, 5, 8, 10
J310D Double-row type [line pitch 5.08mm]				
Circuits	6, 8, 10, 12, 16, 20	6, 8, 10, 12, 16, 20	6, 8, 10, 12, 16, 20	6, 8, 10, 12, 16, 20
J310M Double-row module type [line pitch 7.62mm]				
Circuits	6	6		
J340F Four-row type [line pitch 5.08mm]				
Circuits		12, 20		
—				
Circuits				

JFA CONNECTOR/J300 SERIES

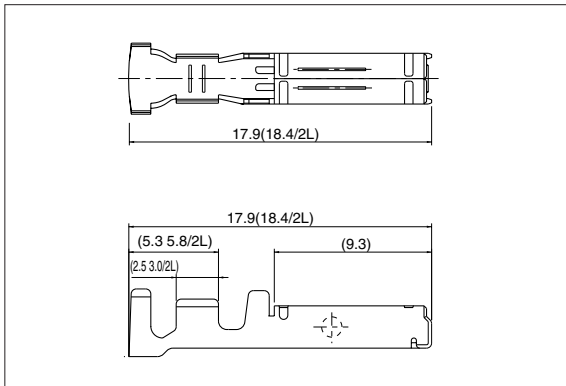
List of J300 series products

5.08mm pitch / Voltage rating 600V AC, DC

Wire-to-board		Wire-to-wire		Type
Top entry type	Side entry type	Free hanging type	Panel mounting type	
				J320S Single-row type
2, 3, 4, 5, 6	2, 3, 4, 5, 6	1, 2, 3, 4	1, 2, 3, 4	
				J350D Double-row type [line pitch 5.08mm]
12, 20	12, 20		12	
				J320M Double-row module type [line pitch 7.62mm]
6,10,12	6, 8,10,12	6,12	6,12, 20	
				J320T Triple-row module type [line pitch 7.62mm]
	9			
Double-row common type (J350DC)		Triple-row common type (J360T)		J350DC J360T Common type
 (line pitch 5.08mm)		 Input Output Output (line pitch 6.5mm)		
12		9,18, 24		Circuits

JFA CONNECTOR/J300 SERIES

Receptacle contact



Model No.		Applicable wire			Insulation O.D.	Q'ty	
Strip contact	Loose piece	Nominal	mm ²	AWG#	(mm)	reel	Box/Loose piece
SF3F-002 (*) -P2.0	BF3F-002 (*) -P2.0	S	0.08 ~ 0.20	28 ~ 24	0.8 ~ 1.4	3,700	1,000
SF3F-01 (*) -P2.0	BF3F-01 (*) -P2.0	M	0.20 ~ 0.50	24 ~ 20	1.2 ~ 2.6	3,700	1,000
SF3F-41 (*) -P2.0	LF3F-41 (*) -P2.0	L	0.50 ~ 1.25	20 ~ 16	1.8 ~ 2.8	3,200	1,000
SF3F-71 () -P2.0	*BF3F-71 (*) -P2.0	2L	1.25 ~ 2.0	16 ~ 14	2.4 ~ 3.4	3,200	1,000

Material and Finish

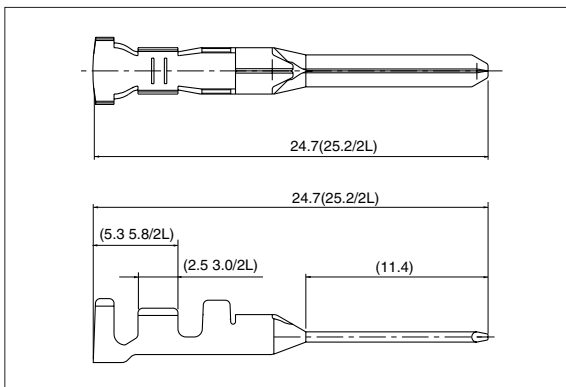
Copper alloy (superior conductivity), nickel-underplated, selective gold-plated tin-plated (reflow treatment)

RoHS compliance

Note: 1. Finish (*): GF...Nickel-undercoated, 0.38 μm selective gold-plated
 GI...Nickel-undercoated, 0.76 μm selective gold-plated
 T.....Tin-plated

2. *Marked products are not CSA/TÜV approved.

Tab contact



Model No.		Applicable wire			Insulation O.D.	Q'ty	
Strip contact	Loose piece	Nominal	mm ²	AWG#	(mm)	reel	Box/Loose piece
Under planning	Under planning	S	0.08 ~ 0.20	28 ~ 24	0.8 ~ 1.4	—	—
SF3M-01 (*) -M2.0N	BF3M-01 (*) -M2.0N	M	0.20 ~ 0.50	24 ~ 20	1.2 ~ 2.6	3,500	1,000
SF3M-41 (*) -M2.0N	LF3M-41 (*) -M2.0N	L	0.50 ~ 1.25	20 ~ 16	1.8 ~ 2.8	3,300	1,000
SF3M-71 () -M2.0N	*BF3M-71 (*) -M2.0N	2L	1.25 ~ 2.0	16 ~ 14	2.4 ~ 3.4	3,200	1,000

Material and Finish

Copper alloy (superior conductivity), nickel-underplated, selective gold-plated tin-plated (reflow treatment)

RoHS compliance

Note: 1. Finish (*): GF...Nickel-undercoated, 0.38 μm selective gold-plated
 GI...Nickel-undercoated, 0.76 μm selective gold-plated
 T.....Tin-plated

2. *Marked products are not CSA/TÜV approved.

Crimping machine, Applicator

Strip contact Model No.	Crimping machine	Crimp applicator	Dies	Crimp applicator with dies	Hand crimp tools	
SF3F-002 (*) -P2.0	AP-K2N	MKS-L	MK/SF3F-002-20	APLMK SF3F/M002-20	YRK-8821	
SF3F-01 (*) -P2.0			MK/SF3F/M-01-20	APLMK SF3F/M01-20	YRK-8811	
SF3M-01 (*) -M2.0N			MK/SF3F/M-41-20	APLMK SF3F/M41-20	YRK-8801	
SF3F-41 (*) -P2.0				MK/SF3F/M-71-20	APLMK SF3F/M71-20	YRK-1071
SF3M-41 (*) -M2.0N					YRK-1071	
SF3F-71 (*) -P2.0						
SF3M-71 (*) -M2.0N						

Note: Finish (*): GF...Nickel-undercoated, 0.38 μm selective gold-plated
 GI...Nickel-undercoated, 0.76 μm selective gold-plated
 T.....Tin-plated

Loose piece	Hand crimp tools
BF3F-002 (*) -P2.0	YRF-882
BF3F-01 (*) -P2.0	YRF-881
BF3M-01 (*) -M2.0N	
LF3F-41 (*) -P2.0	YRF-880
LF3M-41 (*) -M2.0N	
BF3F-71 (*) -P2.0	YRF-1070
BF3M-71 (*) -M2.0N	YRF-1071

Note: Finish (*): GF...Nickel-undercoated, 0.38 μm selective gold-plated
 GI...Nickel-undercoated, 0.76 μm selective gold-plated
 T.....Tin-plated

• Extraction tool for J300 series: EJ-JFAJ3
 • Refer to page 576, 577 for details of YRK series hand crimping tool that uses a strip contact.

Recognition mark

• Plating of the contact

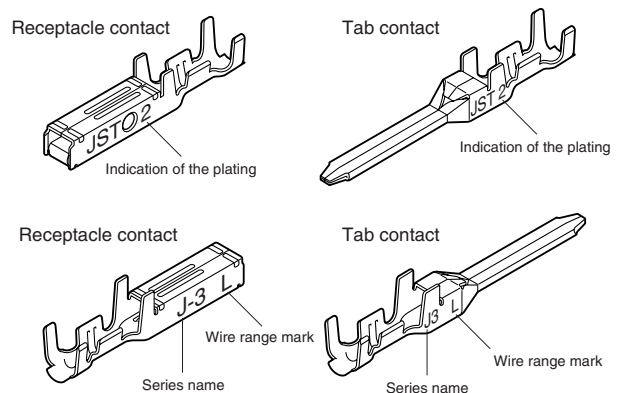
Each contact has a marking on its side so that the type or thickness of the plating is recognized.

ex. 2 ... gold-plated 0.38 μm thickness
 3 ... gold-plated 0.76 μm thickness
 5 ... tin-plated

• Common marking on the contact and its application tools

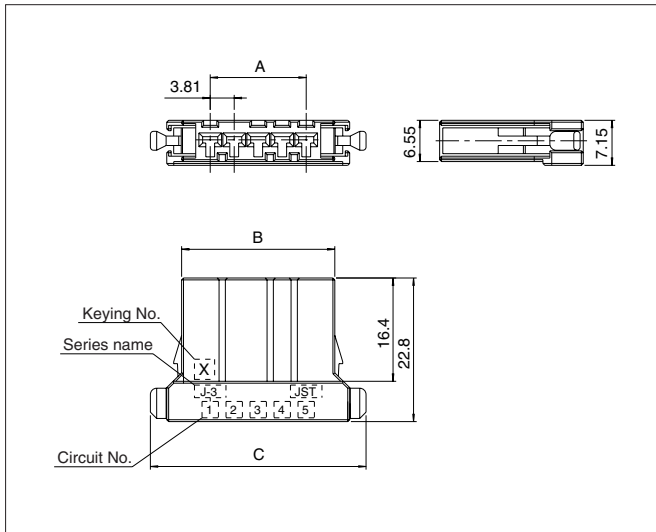
In order to avoid incorrect combination of the hand crimp tools or extraction tools and the contacts, the series name (for example J-3) and wire range mark (S, M, L, 2L) are shown on both the tools and the contacts.

For example J-3 S..... AWG #28 ~ #24
 M.... AWG #24 ~ #20
 L.... AWG #20 ~ #16
 2L... AWG #16 ~ #14



J300 SERIES/J310S

Receptacle housing



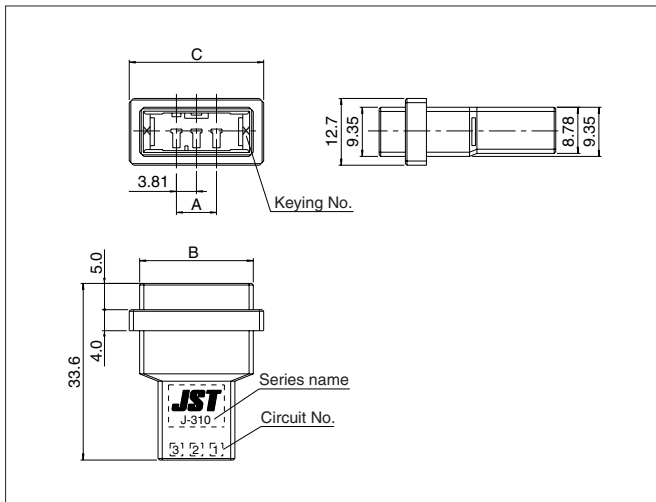
Circuits	Keying	Model No.	Dimensions (mm)			Q'ty / bag
			A	B	C	
3	X	F31FSS-03V-KX	7.62	16.70	26.62	200
	Y	F31FSS-03V-KY	7.62	16.70	26.62	200
4	X	F31FSS-04V-KX	11.43	20.51	30.43	200
	Y	F31FSS-04V-KY	11.43	20.51	30.43	200
5	X	F31FSS-05V-KX	15.24	24.32	34.24	200
	Y	F31FSS-05V-KY	15.24	24.32	34.24	200
6	X	F31FSS-06V-KX	19.05	28.13	38.05	200
	Y	F31FSS-06V-KY	19.05	28.13	38.05	200
8	X	F31FSS-08V-KX	26.67	35.75	45.67	100
	Y	F31FSS-08V-KY	26.67	35.75	45.67	100
10	X	F31FSS-10V-KX	34.29	43.37	53.29	100
	Y	F31FSS-10V-KY	34.29	43.37	53.29	100

Material

Glass-filled PBT, UL94V-0, black

RoHS compliance

Tab housing (Free hanging type)



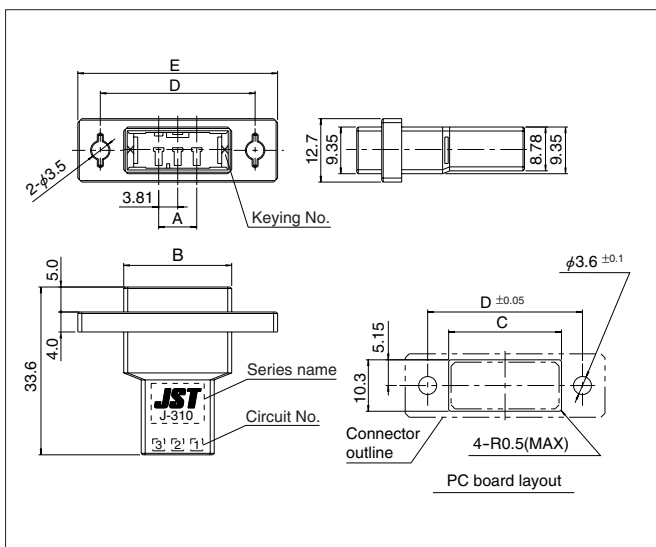
Circuits	Keying	Model No.	Dimensions (mm)			Q'ty / bag
			A	B	C	
3	X	F31MSF-03V-KX	7.62	21.62	25.57	200
	Y	F31MSF-03V-KY	7.62	21.62	25.57	200
5	X	F31MSF-05V-KX	15.24	29.24	33.19	200
	Y	F31MSF-05V-KY	15.24	29.24	33.19	200
8	X	F31MSF-08V-KX	26.67	40.67	44.62	100
	Y	F31MSF-08V-KY	26.67	40.67	44.62	100
10	X	F31MSF-10V-KX	34.29	48.29	52.24	100
	Y	F31MSF-10V-KY	34.29	48.29	52.24	100

Material

Glass-filled PBT, UL94V-0, black

RoHS compliance

Tab housing (Panel mounting type)



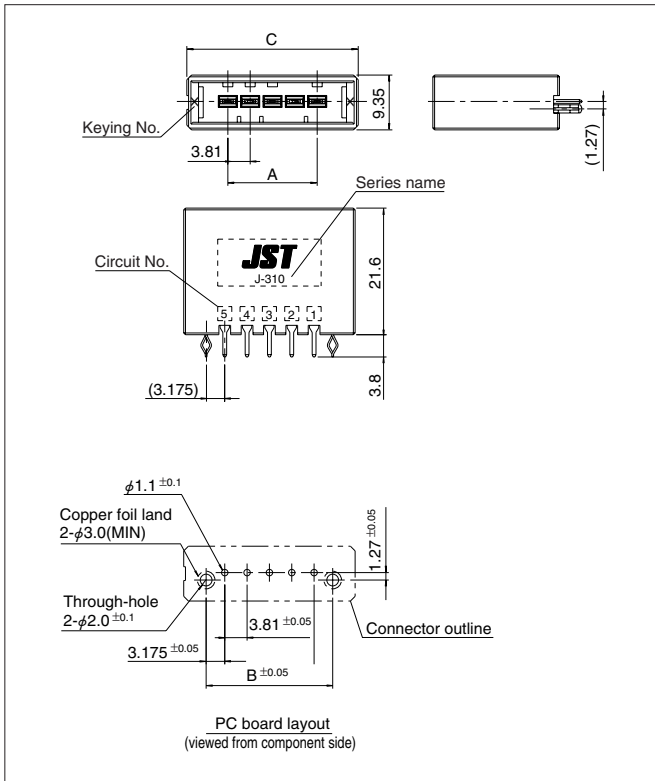
Circuits	Keying	Model No.	Dimensions (mm)					Q'ty / bag
			A	B	C	D	E	
3	X	F31MSP-03V-KX	7.62	21.62	22.60	31.00	40.00	200
	Y	F31MSP-03V-KY	7.62	21.62	22.60	31.00	40.00	200
5	X	F31MSP-05V-KX	15.24	29.24	30.20	38.00	47.00	200
	Y	F31MSP-05V-KY	15.24	29.24	30.20	38.00	47.00	200
8	X	F31MSP-08V-KX	26.67	40.67	41.60	50.00	59.00	100
	Y	F31MSP-08V-KY	26.67	40.67	41.60	50.00	59.00	100
10	X	F31MSP-10V-KX	34.29	48.29	49.20	58.00	67.00	100
	Y	F31MSP-10V-KY	34.29	48.29	49.20	58.00	67.00	100

Material

Glass-filled PBT, UL94V-0, black

RoHS compliance

Header (Top entry type)



Circuits	Keying	Model No.	Dimensions (mm)			Q'ty / box
			A	B	C	
3	X	B03B-F31SK-GGXR	7.62	13.97	21.62	220
	Y	B03B-F31SK-GGYR	7.62	13.97	21.62	220
4	X	B04B-F31SK-GGXR	11.43	17.78	25.43	180
	Y	B04B-F31SK-GGYR	11.43	17.78	25.43	180
5	X	B05B-F31SK-GGXR	15.24	21.59	29.24	160
	Y	B05B-F31SK-GGYR	15.24	21.59	29.24	160
6	X	B06B-F31SK-GGXR	19.05	25.40	33.05	140
	Y	B06B-F31SK-GGYR	19.05	25.40	33.05	140
8	X	B08B-F31SK-GGXR	26.67	33.02	40.67	120
	Y	B08B-F31SK-GGYR	26.67	33.02	40.67	120
10	X	B10B-F31SK-GGXR	34.29	40.64	48.29	100
	Y	B10B-F31SK-GGYR	34.29	40.64	48.29	100

Material and Finish

Tab contact: Copper alloy, nickel-undercoated, selective gold-plated

Housing: Glass-filled PBT, UL94V-0, black

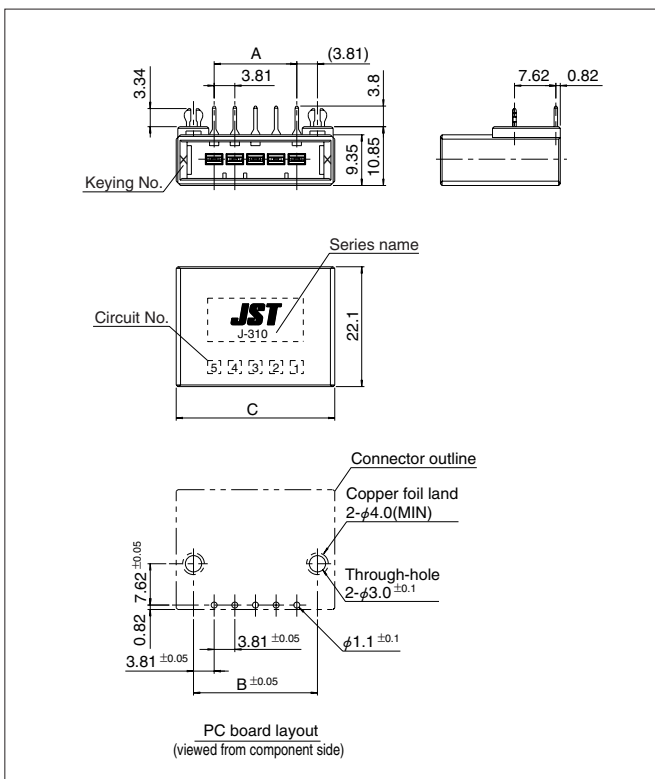
Reinforcing metal fixture: Copper alloy, nickel-undercoated, selective gold-plated

RoHS compliance This product displays (LF)(AU) on a label.

Note: 1. Contact JST for the headers supplied in magazine stick.

2. Contact JST for 0.76 μm gold-plated product and tin-plated product.

Header (Side entry type)



Circuits	Keying	Model No.	Dimensions (mm)			Q'ty / box
			A	B	C	
3	X	S03B-F31SK-GGXR	7.62	15.24	21.62	165
	Y	S03B-F31SK-GGYR	7.62	15.24	21.62	165
4	X	S04B-F31SK-GGXR	11.43	19.05	25.43	135
	Y	S04B-F31SK-GGYR	11.43	19.05	25.43	135
5	X	S05B-F31SK-GGXR	15.24	22.86	29.24	120
	Y	S05B-F31SK-GGYR	15.24	22.86	29.24	120
6	X	S06B-F31SK-GGXR	19.05	26.67	33.05	105
	Y	S06B-F31SK-GGYR	19.05	26.67	33.05	105
8	X	S08B-F31SK-GGXR	26.67	34.29	40.67	90
	Y	S08B-F31SK-GGYR	26.67	34.29	40.67	90
10	X	S10B-F31SK-GGXR	34.29	41.91	48.29	75
	Y	S10B-F31SK-GGYR	34.29	41.91	48.29	75

Material and Finish

Tab contact: Copper alloy, nickel-undercoated, selective gold-plated

Housing: Glass-filled PBT, UL94V-0, black

Reinforcing metal fixture: Copper alloy, nickel-undercoated, selective gold-plated

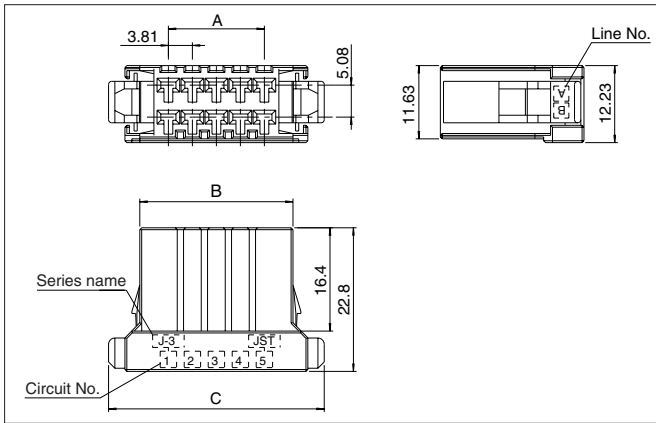
RoHS compliance This product displays (LF)(AU) on a label.

Note: 1. Contact JST for the headers supplied in magazine stick.

2. Contact JST for 0.76 μm gold-plated product and tin-plated product.

J300 SERIES/J310D

Receptacle housing



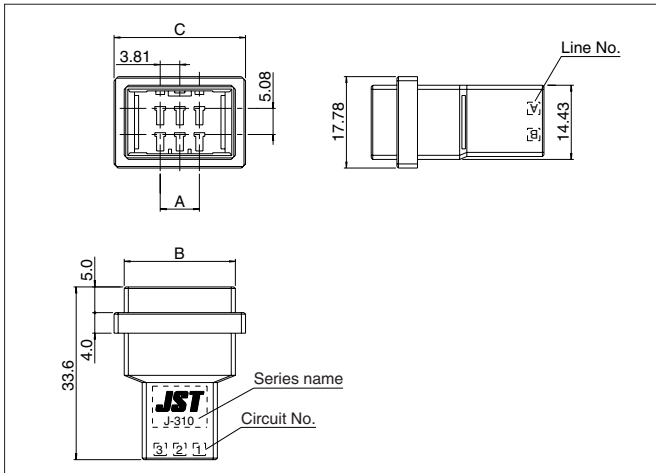
Circuits	Keying	Model No.	Dimensions (mm)			Q'ty /bag
			A	B	C	
6	—	F31FDS-06V-K	7.62	16.70	26.62	200
8	—	F31FDS-08V-K	11.43	20.51	30.43	100
10	—	F31FDS-10V-K	15.24	24.32	34.24	100
12	—	F31FDS-12V-K	19.05	28.13	38.05	100
16	—	F31FDS-16V-K	26.67	35.75	45.67	100
20	—	F31FDS-20V-K	34.29	43.37	53.29	100

Material

Glass-filled PBT, UL94V-0, black

RoHS compliance

Tab housing (Free hanging type)



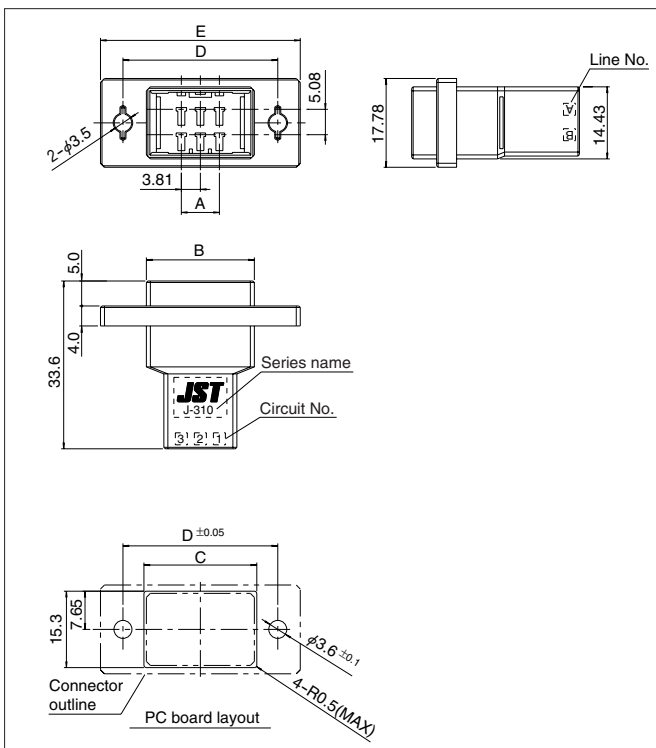
Circuits	Keying	Model No.	Dimensions (mm)			Q'ty /bag
			A	B	C	
6	—	F31MDF-06V-K	7.62	21.62	25.57	200
8	—	F31MDF-08V-K	11.43	25.43	29.38	100
10	—	F31MDF-10V-K	15.24	29.24	33.19	100
12	—	F31MDF-12V-K	19.05	33.05	37.00	100
16	—	F31MDF-16V-K	26.67	40.67	44.62	100
20	—	F31MDF-20V-K	34.29	48.29	52.24	100

Material

Glass-filled PBT, UL94V-0, black

RoHS compliance

Tab housing (Panel mounting type)



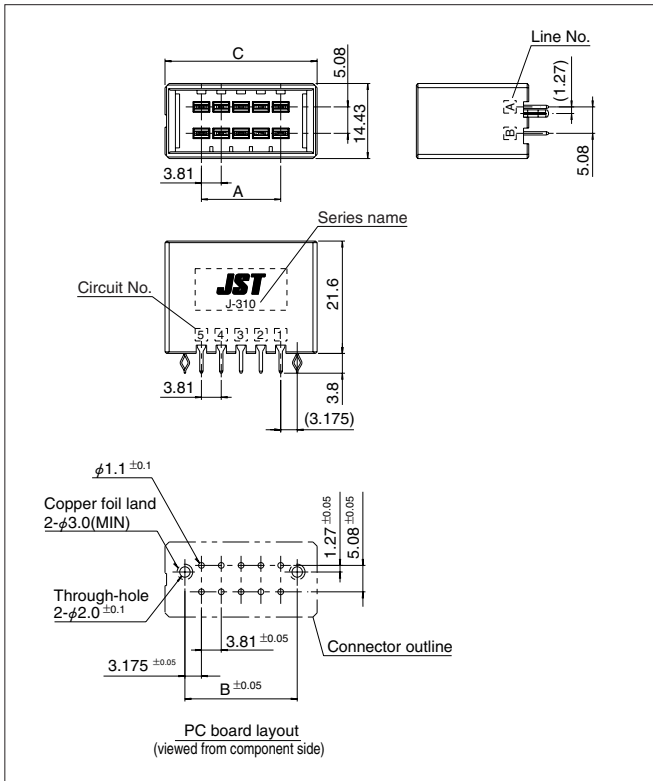
Circuits	Keying	Model No.	Dimensions (mm)					Q'ty /bag
			A	B	C	D	E	
6	—	F31MDP-06V-K	7.62	21.62	22.60	31.00	40.00	200
8	—	F31MDP-08V-K	11.43	25.43	26.40	34.50	43.50	100
10	—	F31MDP-10V-K	15.24	29.24	30.20	38.00	47.00	100
12	—	F31MDP-12V-K	19.05	33.05	34.00	42.00	51.00	100
16	—	F31MDP-16V-K	26.67	40.67	41.60	50.00	59.00	100
20	—	F31MDP-20V-K	34.29	48.29	49.20	58.00	67.00	100

Material

Glass-filled PBT, UL94V-0, black

RoHS compliance

Header (Top entry type)



Circuits	Keying	Model No.	Dimensions (mm)			Q'ty / box
			A	B	C	
6	—	B06B-F31DK-GGR	7.62	13.97	21.62	132
8	—	B08B-F31DK-GGR	11.43	17.78	25.43	108
10	—	B10B-F31DK-GGR	15.24	21.59	29.24	96
12	—	B12B-F31DK-GGR	19.05	25.40	33.05	84
16	—	B16B-F31DK-GGR	26.67	33.02	40.67	72
20	—	B20B-F31DK-GGR	34.29	40.64	48.29	60

Material and Finish

Tab contact: Copper alloy, nickel-undercoated, selective gold-plated

Housing: Glass-filled PBT, UL94V-0, black

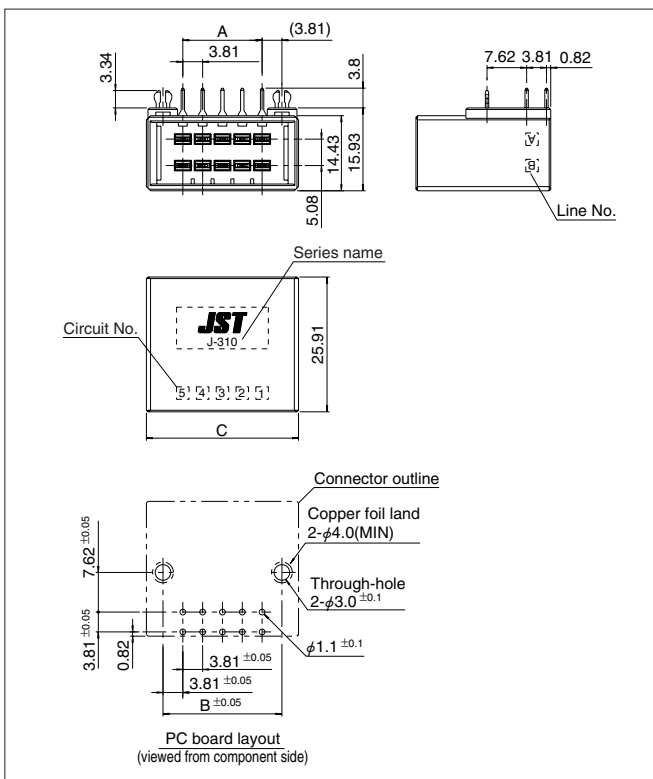
Reinforcing metal fixture: Copper alloy, nickel-undercoated, selective gold-plated

RoHS compliance This product displays (LF) (AU) on a label.

Note: 1. Contact JST for the headers supplied in magazine stick.

2. Contact JST for 0.76 μm gold-plated product and tin-plated product.

Header (Side entry type)



Circuits	Keying	Model No.	Dimensions (mm)			Q'ty / box
			A	B	C	
6	—	S06B-F31DK-GGR	7.62	15.24	21.62	88
8	—	S08B-F31DK-GGR	11.43	19.05	25.43	72
10	—	S10B-F31DK-GGR	15.24	22.86	29.24	64
12	—	S12B-F31DK-GGR	19.05	26.67	33.05	56
16	—	S16B-F31DK-GGR	26.67	34.29	40.67	48
20	—	S20B-F31DK-GGR	34.29	41.91	48.29	40

Material and Finish

Tab contact: Copper alloy, nickel-undercoated, selective gold-plated

Housing: Glass-filled PBT, UL94V-0, black

Reinforcing metal fixture: Copper alloy, nickel-undercoated, selective gold-plated

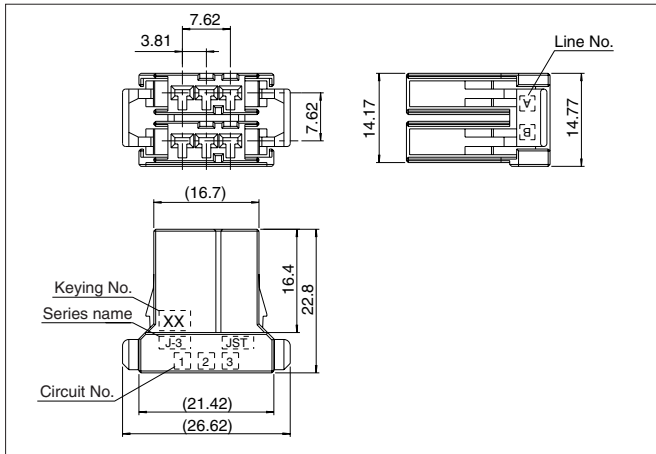
RoHS compliance This product displays (LF) (AU) on a label.

Note: 1. Contact JST for the headers supplied in magazine stick.

2. Contact JST for 0.76 μm gold-plated product and tin-plated product.

J300 SERIES/J310M

Receptacle housing



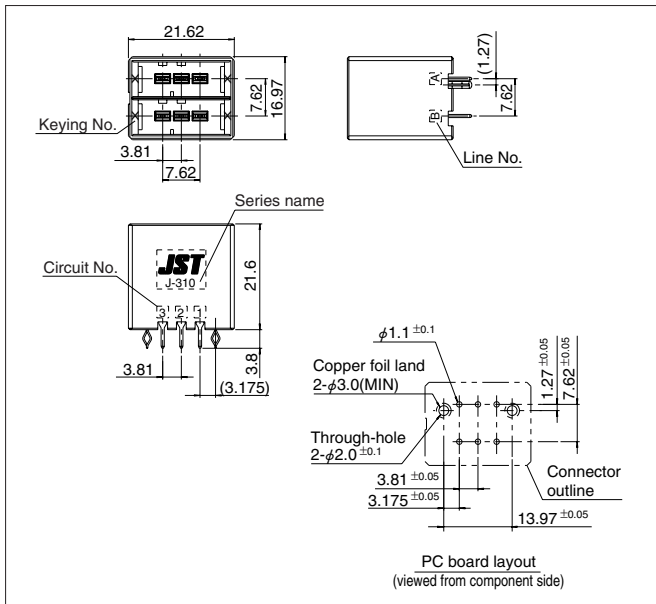
Circuits	Keying	Model No.	Q'ty / box
6	XX	F31FMS-06V-KXX	100
	YY	F31FMS-06V-KYY	100
	XY	F31FMS-06V-KXY	100

Material

Glass-filled PBT, UL94V-0, black

RoHS compliance

Header (Top entry type)



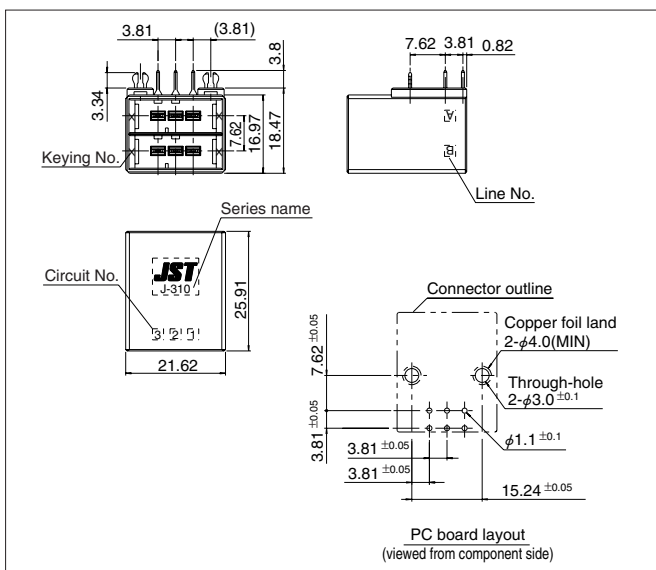
Circuits	Keying	Model No.	Q'ty / box
6	XX	B06B-F31MK-GGXXR	132
	YY	B06B-F31MK-GGYR	132
	XY	B06B-F31MK-GGXYR	132

Material and Finish

Tab contact: Copper alloy, nickel-undercoated, selective gold-plated
 Housing: Glass-filled PBT, UL94V-0, black
 Reinforcing metal fixture: Copper alloy, nickel-undercoated, selective gold-plated

RoHS compliance This product displays (LF)(AU) on a label.
 Note: 1. Contact JST for the headers supplied in magazine stick.
 2. Contact JST for 0.76 μm gold-plated product and tin-plated product.

Header (Side entry type)



Circuits	Keying	Model No.	Q'ty / box
6	XX	S06B-F31MK-GGXXR	88
	YY	S06B-F31MK-GGYR	88
	XY	S06B-F31MK-GGXYR	88

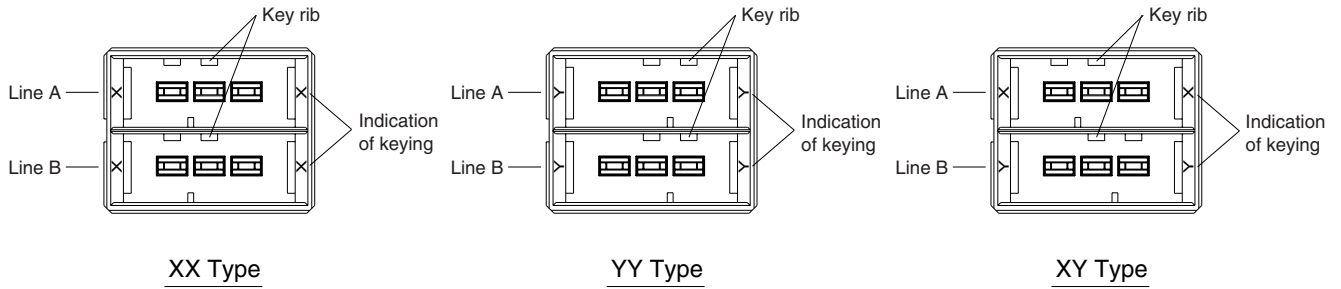
Material and Finish

Tab contact: Copper alloy, nickel-undercoated, selective gold-plated
 Housing: Glass-filled PBT, UL94V-0, black
 Reinforcing metal fixture: Copper alloy, nickel-undercoated, selective gold-plated

RoHS compliance This product displays (LF)(AU) on a label.
 Note: 1. Contact JST for the headers supplied in magazine stick.
 2. Contact JST for 0.76 μm gold-plated product and tin-plated product.

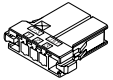
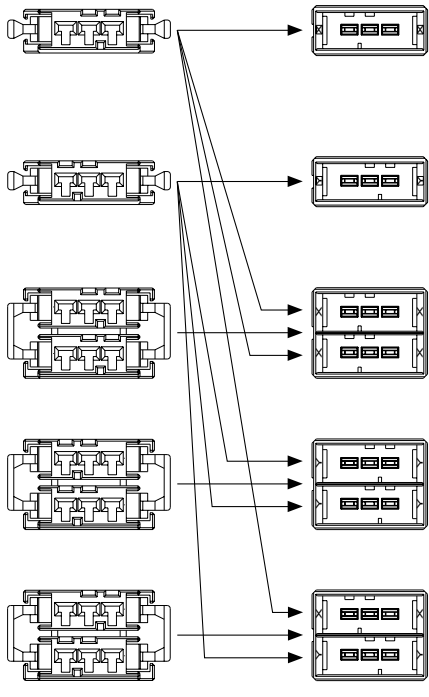
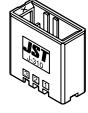

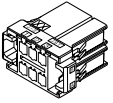
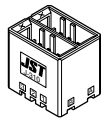
Keying

J310M series have mis-insertion preventive keying.
Available in 3 types — XX type, YY type and XY type.
(Headers viewed from the mating side are shown below.)



List of combinations

With the combination of the J310M headers and the J310M/J310S (3 circuits) receptacle housings, the following modular combinations are possible.

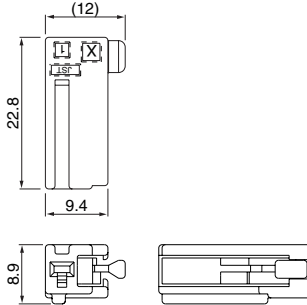
Receptacle housing		Header				
		Top entry type		Side entry type		
Single-row 3 circuits (J310S) 	X Type F31FSS-03V-KX		Single-row 3 circuits (J310S) 	X Type B03B-F31SK-GGX ■	Single-row 3 circuits (J310S) 	X Type S03B-F31SK-GGX ■
	Y Type F31FSS-03V-KY		Y Type B03B-F31SK-GGY ■	Y Type S03B-F31SK-GGY ■		
Double-row 6 circuits (J310M) 	XX Type F31FMS-06V-KXX		XX Type B06B-F31MK-GGXX ■	Double-row 6 circuits (J310M) 	XX Type S06B-F31MK-GGXX ■	
	YY Type F31FMS-06V-KYY		YY Type B06B-F31MK-GGY ■	YY Type S06B-F31MK-GGY ■		
	XY Type F31FMS-06V-KXY		XY Type B06B-F31MK-GGXY ■	XY Type S06B-F31MK-GGXY ■		

Note: Packaging method is indicated in ■. (R=Tray)

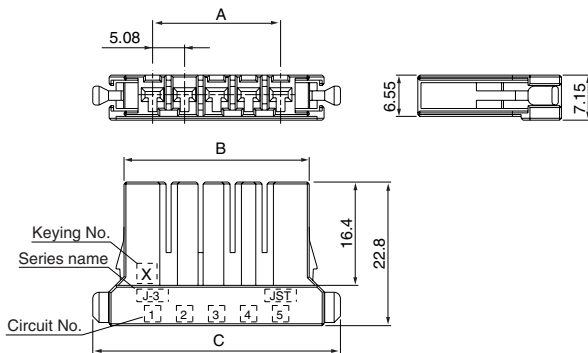
J300 SERIES/J320S

Receptacle housing

- Single circuit



- 2 to 6 circuits



Circuits	Keying	Model No.	Dimensions (mm)			Q'ty / bag
			A	B	C	
1	X	F32FSS-01V-KX	—	—	—	200
	Y	F32FSS-01V-KY	—	—	—	200
2	X	F32FSS-02V-KX	5.08	14.16	24.08	200
	Y	F32FSS-02V-KY	5.08	14.16	24.08	200
3	X	F32FSS-03V-KX	10.16	19.24	29.16	200
	Y	F32FSS-03V-KY	10.16	19.24	29.16	200
4	X	F32FSS-04V-KX	15.24	24.32	34.24	200
	Y	F32FSS-04V-KY	15.24	24.32	34.24	200
5	X	F32FSS-05V-KX	20.32	29.40	39.32	200
	Y	F32FSS-05V-KY	20.32	29.40	39.32	200
6	X	F32FSS-06V-KX	25.40	34.48	44.40	100
	Y	F32FSS-06V-KY	25.40	34.48	44.40	100

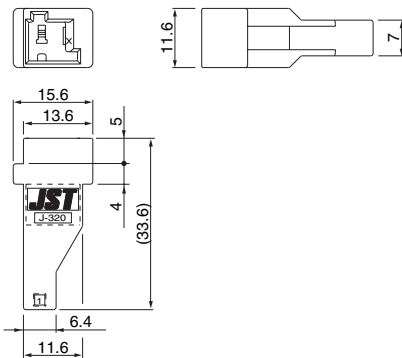
Material

Glass-filled PBT, UL94V-0, black

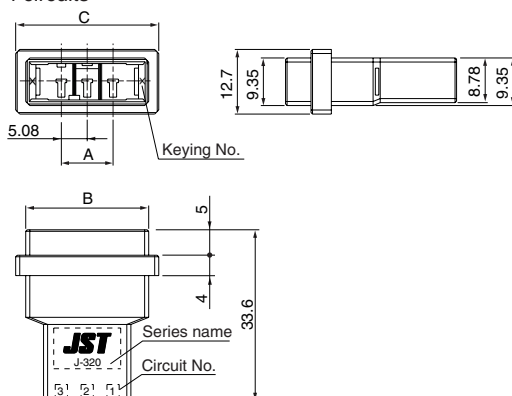
RoHS compliance

Tab housing (Free hanging type)

- Single circuit



- 2 to 4 circuits



Circuits	Keying	Model No.	Dimensions (mm)			Q'ty / bag
			A	B	C	
1	X	F32MSF-01V-KX	—	—	—	150
	Y	F32MSF-01V-KY	—	—	—	150
2	X	F32MSF-02V-KX	5.08	19.08	23.03	200
	Y	F32MSF-02V-KY	5.08	19.08	23.03	200
3	X	F32MSF-03V-KX	10.16	24.16	28.11	200
	Y	F32MSF-03V-KY	10.16	24.16	28.11	200
4	X	F32MSF-04V-KX	15.24	29.24	33.19	200
	Y	F32MSF-04V-KY	15.24	29.24	33.19	200

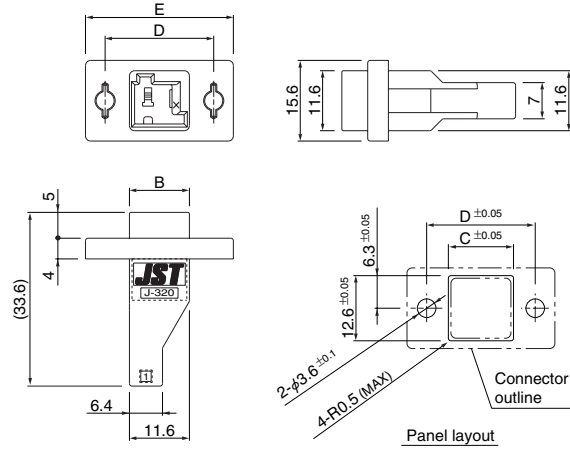
Material

Glass-filled PBT, UL94V-0, black

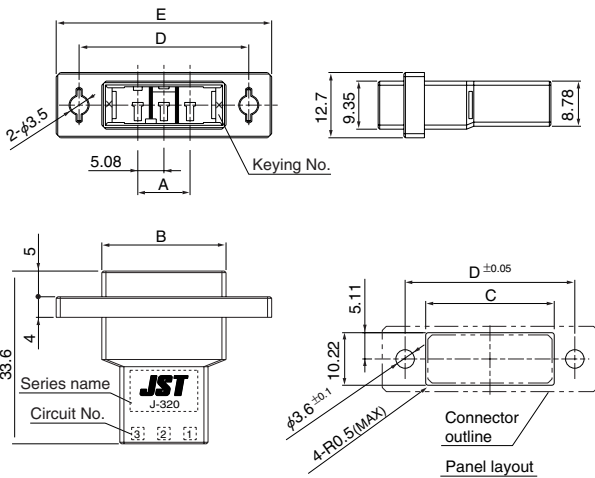
RoHS compliance

Tab housing (Panel mounting type)

• Single circuit



• 2 to 4 circuits



Circuits	Keying	Model No.	Dimensions (mm)					Q'ty / bag
			A	B	C	D	E	
1	X	F32MSP-01V-KX	—	11.60	12.60	21.00	28.60	150
	Y	F32MSP-01V-KY	—	11.60	12.60	21.00	28.60	150
2	X	F32MSP-02V-KX	5.08	19.08	20.00	28.00	36.83	200
	Y	F32MSP-02V-KY	5.08	19.08	20.00	28.00	36.83	200
3	X	F32MSP-03V-KX	10.16	24.16	25.00	33.00	41.91	200
	Y	F32MSP-03V-KY	10.16	24.16	25.00	33.00	41.91	200
4	X	F32MSP-04V-KX	15.24	29.24	30.00	38.00	46.99	200
	Y	F32MSP-04V-KY	15.24	29.24	30.00	38.00	46.99	200

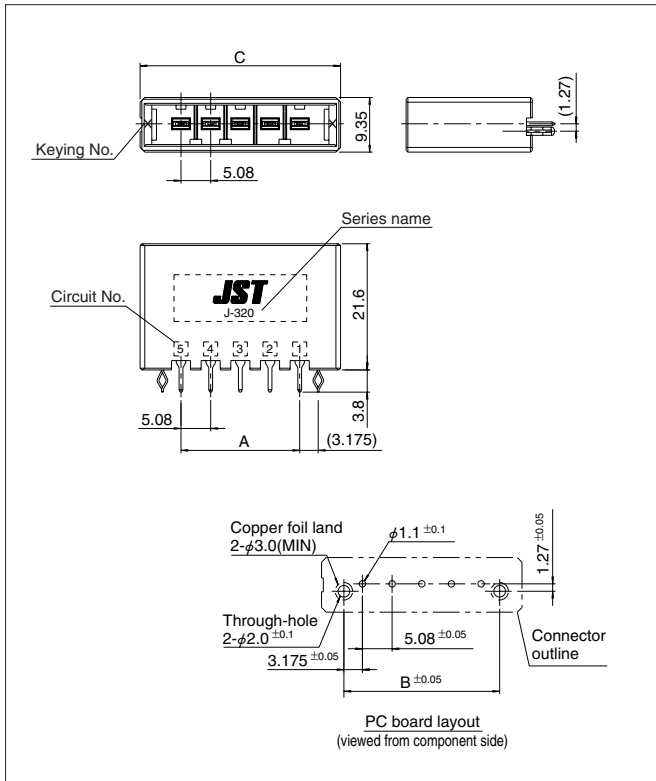
Material

Glass-filled PBT, UL94V-0, black

RoHS compliance

J300 SERIES/J320S

Header (Top entry type)



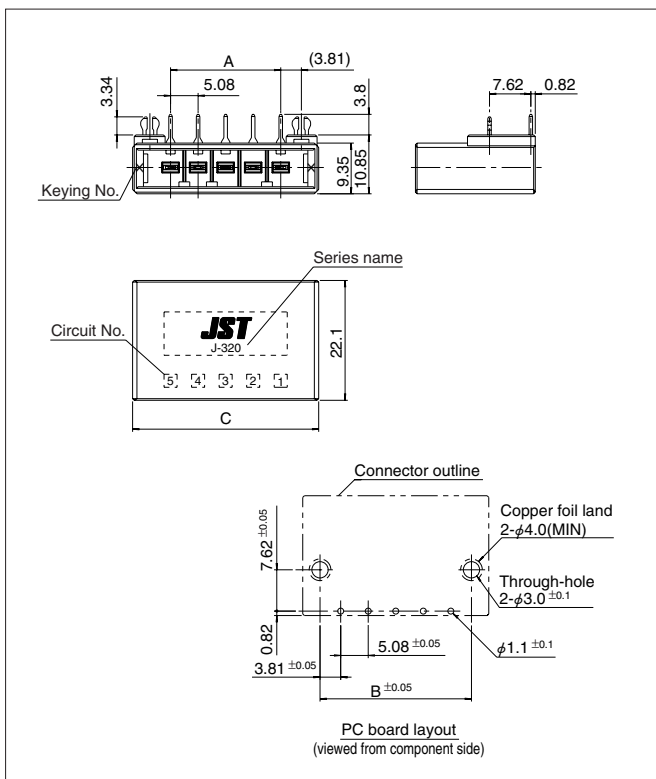
Circuits	Keying	Model No.	Dimensions (mm)			Q'ty / box
			A	B	C	
2	X	B02B-F32SK-GGXR	5.08	11.43	19.08	240
	Y	B02B-F32SK-GGYR	5.08	11.43	19.08	240
3	X	B03B-F32SK-GGXR	10.16	16.51	24.16	200
	Y	B03B-F32SK-GGYR	10.16	16.51	24.16	200
4	X	B04B-F32SK-GGXR	15.24	21.59	29.24	160
	Y	B04B-F32SK-GGYR	15.24	21.59	29.24	160
5	X	B05B-F32SK-GGXR	20.32	26.67	34.32	140
	Y	B05B-F32SK-GGYR	20.32	26.67	34.32	140
6	X	B06B-F32SK-GGXR	25.40	31.75	39.40	120
	Y	B06B-F32SK-GGYR	25.40	31.75	39.40	120

Material and Finish

Tab contact: Copper alloy, nickel-undercoated, selective gold-plated
Housing: Glass-filled PBT, UL94V-0, black
Reinforcing metal fixture: Copper alloy, nickel-undercoated, selective gold-plated

RoHS compliance This product displays (LF)(AU) on a label.
Note: 1. Contact JST for the headers supplied in magazine stick.
2. Contact JST for 0.76 μm gold-plated product and tin-plated product.

Header (Side entry type)



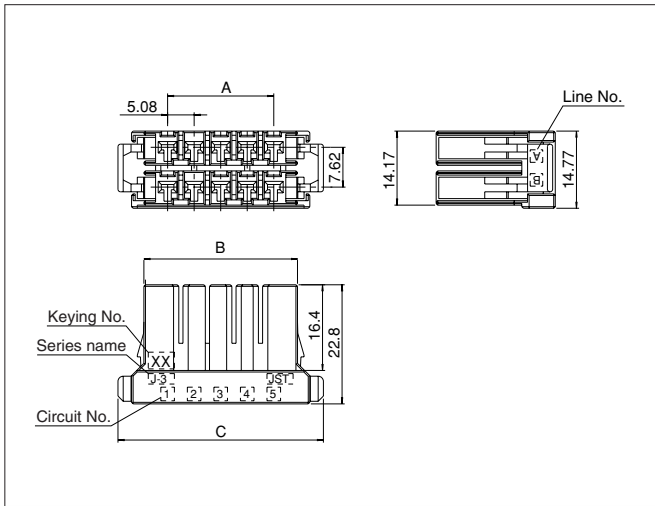
Circuits	Keying	Model No.	Dimensions (mm)			Q'ty / box
			A	B	C	
2	X	S02B-F32SK-GGXR	5.08	12.70	19.08	180
	Y	S02B-F32SK-GGYR	5.08	12.70	19.08	180
3	X	S03B-F32SK-GGXR	10.16	17.78	24.16	150
	Y	S03B-F32SK-GGYR	10.16	17.78	24.16	150
4	X	S04B-F32SK-GGXR	15.24	22.86	29.24	120
	Y	S04B-F32SK-GGYR	15.24	22.86	29.24	120
5	X	S05B-F32SK-GGXR	20.32	27.94	34.32	105
	Y	S05B-F32SK-GGYR	20.32	27.94	34.32	105
6	X	S06B-F32SK-GGXR	25.40	33.02	39.40	90
	Y	S06B-F32SK-GGYR	25.40	33.02	39.40	90

Material and Finish

Tab contact: Copper alloy, nickel-undercoated, selective gold-plated
Housing: Glass-filled PBT, UL94V-0, black
Reinforcing metal fixture: Copper alloy, nickel-undercoated, selective gold-plated

RoHS compliance This product displays (LF)(AU) on a label.
Note: 1. Contact JST for the headers supplied in magazine stick.
2. Contact JST for 0.76 μm gold-plated product and tin-plated product.

Receptacle housing



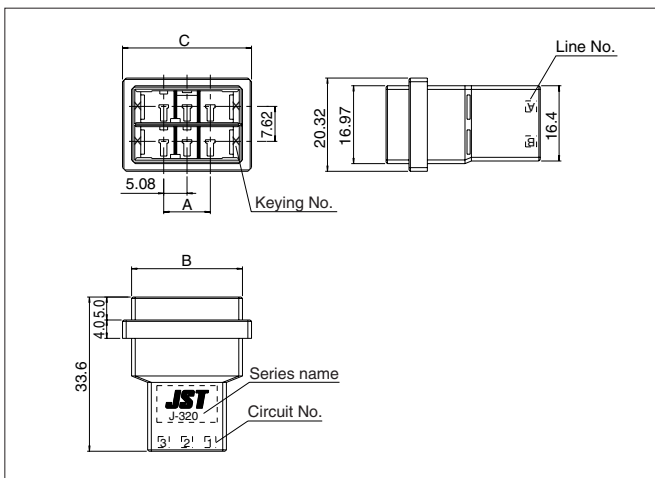
Circuits	Keying	Model No.	Dimensions (mm)			Qty / bag
			A	B	C	
6	XX	F32FMS-06V-KXX	10.16	19.24	29.16	100
	YY	F32FMS-06V-KYY	10.16	19.24	29.16	100
	XY	F32FMS-06V-KXY	10.16	19.24	29.16	100
10	XX	F32FMS-10V-KXX	20.32	29.40	39.32	100
	YY	F32FMS-10V-KYY	20.32	29.40	39.32	100
	XY	F32FMS-10V-KXY	20.32	29.40	39.32	100
12	XX	F32FMS-12V-KXX	25.40	34.48	44.40	100
	YY	F32FMS-12V-KYY	25.40	34.48	44.40	100
	XY	F32FMS-12V-KXY	25.40	34.48	44.40	100
20	XX	F32FMS-20V-KXX	45.72	54.80	64.72	96(box)
	YY	Under planning	—	—	—	—
	XY	Under planning	—	—	—	—

Material

Glass-filled PBT, UL94V-0, black

RoHS compliance

Tab housing (Free hanging type)



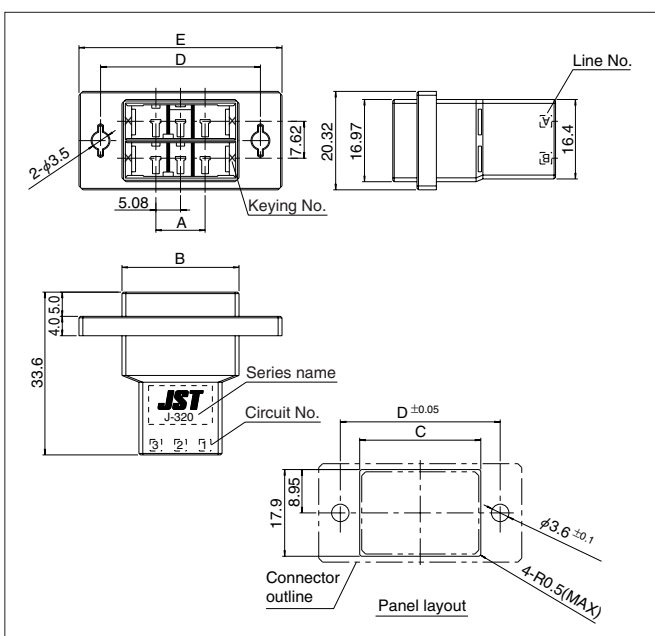
Circuits	Keying	Model No.	Dimensions (mm)			Qty / bag
			A	B	C	
6	XX	F32MDF-06V-KXX	10.16	24.16	28.11	100
	YY	F32MDF-06V-KYY	10.16	24.16	28.11	100
	XY	F32MDF-06V-KXY	10.16	24.16	28.11	100
12	XX	F32MDF-12V-KXX	25.40	39.40	43.35	100
	YY	F32MDF-12V-KYY	25.40	39.40	43.35	100
	XY	F32MDF-12V-KXY	25.40	39.40	43.35	100

Material

Glass-filled PBT, UL94V-0, black

RoHS compliance

Tab housing (Panel mounting type)



Circuits	Keying	Model No.	Dimensions (mm)					Qty / bag
			A	B	C	D	E	
6	XX	F32MDP-06V-KXX	10.16	24.16	25.00	33.00	41.91	100
	YY	F32MDP-06V-KYY	10.16	24.16	25.00	33.00	41.91	100
	XY	F32MDP-06V-KXY	10.16	24.16	25.00	33.00	41.91	100
12	XX	F32MDP-12V-KXX	25.40	39.40	41.00	49.00	57.91	100
	YY	F32MDP-12V-KYY	25.40	39.40	41.00	49.00	57.91	100
	XY	F32MDP-12V-KXY	25.40	39.40	41.00	49.00	57.91	100
20	XX	F32MDP-20V-KXX	45.72	59.72	61.00	70.00	78.23	40(box)
	YY	Under planning	—	—	—	—	—	—
	XY	Under planning	—	—	—	—	—	—

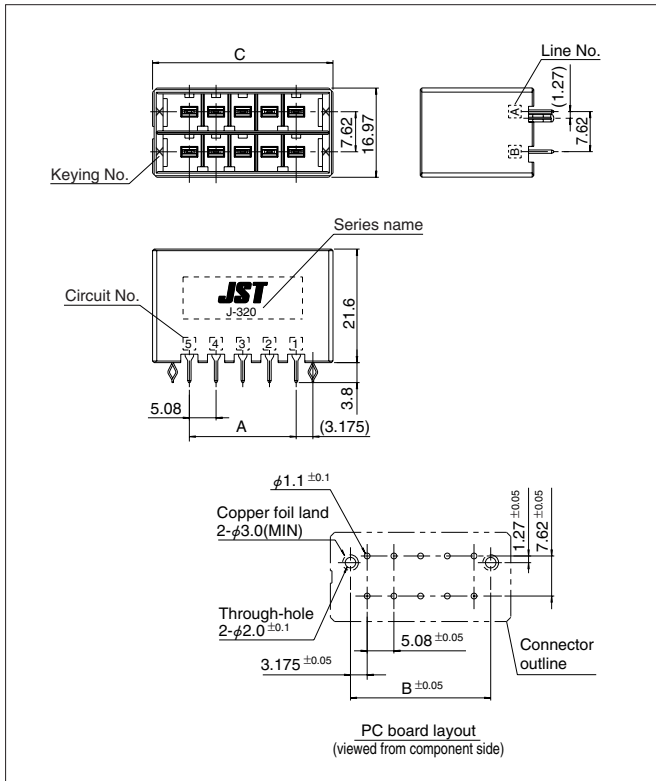
Material

Glass-filled PBT, UL94V-0, black

RoHS compliance

J300 SERIES/J320M

Header (Top entry type)



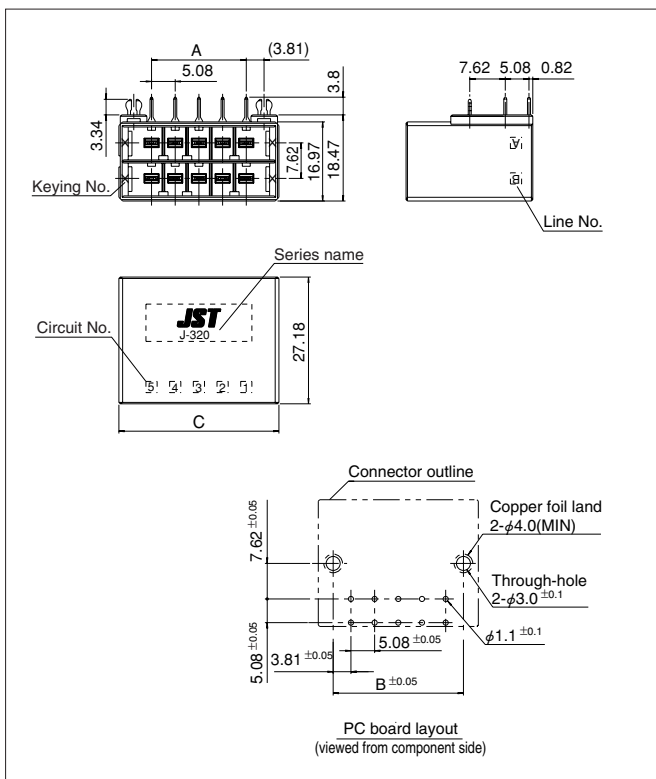
Circuits	Keying	Model No.	Dimensions (mm)			Q'ty / box
			A	B	C	
6	XX	B06B-F32MK-GGXXR	10.16	16.51	24.16	120
	YY	B06B-F32MK-GGYR	10.16	16.51	24.16	120
	XY	B06B-F32MK-GGX	10.16	16.51	24.16	120
10	XX	B10B-F32MK-GGXXR	20.32	26.67	34.32	84
	YY	B10B-F32MK-GGYR	20.32	26.67	34.32	84
12	XX	B12B-F32MK-GGXXR	25.40	31.75	39.40	72
	YY	B12B-F32MK-GGYR	25.40	31.75	39.40	72
	XY	B12B-F32MK-GGX	25.40	31.75	39.40	72

Material and Finish

Tab contact: Copper alloy, nickel-undercoated, selective gold-plated
Housing: Glass-filled PBT, UL94V-0, black
Reinforcing metal fixture: Copper alloy, nickel-undercoated, selective gold-plated

RoHS compliance This product displays (LF)(AU) on a label.
Note: 1. Contact JST for the headers supplied in magazine stick.
2. Contact JST for 0.76 μ m gold-plated product and tin-plated product.

Header (Side entry type)



Circuits	Keying	Model No.	Dimensions (mm)			Q'ty / box
			A	B	C	
6	XX	S06B-F32MK-GGXXR	10.16	17.78	24.16	80
	YY	S06B-F32MK-GGYR	10.16	17.78	24.16	80
	XY	S06B-F32MK-GGX	10.16	17.78	24.16	80
8	XY	S08B-F32MK-GGX	15.24	22.86	29.24	64
10	XX	S10B-F32MK-GGXXR	20.32	27.94	34.32	56
	YY	S10B-F32MK-GGYR	20.32	27.94	34.32	56
12	XX	S12B-F32MK-GGXXR	25.40	33.02	39.40	48
	YY	S12B-F32MK-GGYR	25.40	33.02	39.40	48
	XY	S12B-F32MK-GGX	25.40	33.02	39.40	48

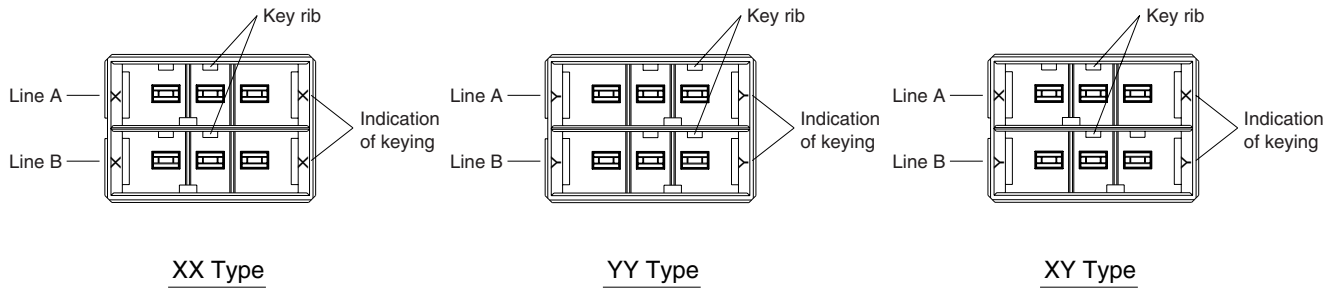
Material and Finish

Tab contact: Copper alloy, nickel-undercoated, selective gold-plated
Housing: Glass-filled PBT, UL94V-0, black
Reinforcing metal fixture: Copper alloy, nickel-undercoated, selective gold-plated

RoHS compliance This product displays (LF)(AU) on a label.
Note: 1. Contact JST for the headers supplied in magazine stick.
2. Contact JST for 0.76 μ m gold-plated product and tin-plated product.

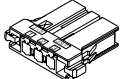
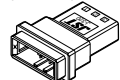



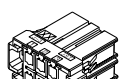
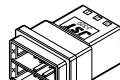



Keying

J320M series have mis-insertion preventive keying.
Available in 3 types – XX type, YY type and XY type.
(Headers viewed from the mating side are shown below.)



List of combinations

With the combination of the J320M headers and the J320M/J320S receptacle housings, the following modular combinations are possible.

Receptacle housing		Tab housing		Header		
Single-row 3, 5, 6 circuits (J320S) 	X type F32FSS-■V-KX	 Free hanging type  Panel mounting type	X type Free hanging type F32MSF-■V-KX Panel mounting type F32MSP-■V-KX	Single-row 3, 5, 6 circuits (J320S)  Top entry type  Side entry type	X type Top entry type B■B-F32SK-GGX■ Side entry type S■B-F32SK-GGX■	
	Y type F32FSS-■V-KY		Y type Free hanging type F32MSF-■V-KY Panel mounting type F32MSP-■V-KY		Y type Free hanging type F32MSF-■V-KY Panel mounting type F32MSP-■V-KY	Y type Top entry type B■B-F32SK-GGY■ Side entry type S■B-F32SK-GGY■
Double-row 6, 10, 12, 20 circuits (J320M) 	XX type F32FMS-■V-KXX	 Free hanging type  Panel mounting type	XX type Free hanging type F32MDF-■V-KXX Panel mounting type F32MDP-■V-KXX	Double-row 6, 10, 12 circuits (J320M)  Top entry type  Side entry type	XX type Top entry type B■B-F32MK-GGXX■ Side entry type S■B-F32MK-GGXX■	
	YY type F32FMS-■V-KYY		YY type Free hanging type F32MDF-■V-KYY Panel mounting type F32MDP-■V-KYY		YY type Free hanging type F32MDF-■V-KYY Panel mounting type F32MDP-■V-KYY	YY type Top entry type B■B-F32MK-GGY■ Side entry type S■B-F32MK-GGY■
	XY type F32FMS-■V-KXY		XY type Free hanging type F32MDF-■V-KXY Panel mounting type F32MDP-■V-KXY		XY type Free hanging type F32MDF-■V-KXY Panel mounting type F32MDP-■V-KXY	XY type Top entry type B■B-F32MK-GGXY■ Side entry type S■B-F32MK-GGXY■

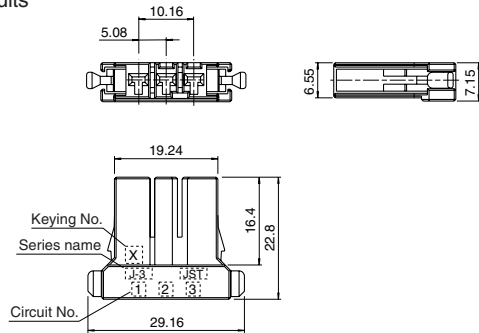
Note: Number of circuits is indicated in ■■.
Packaging method is indicated in ■.

J300 SERIES/J320T

Receptacle housing

Single-row type

- 3 circuits



Circuits	Keying	Model No.	Q'ty / bag
3	X	F32FSS-03V-KX	200
	Y	F32FSS-03V-KY	200

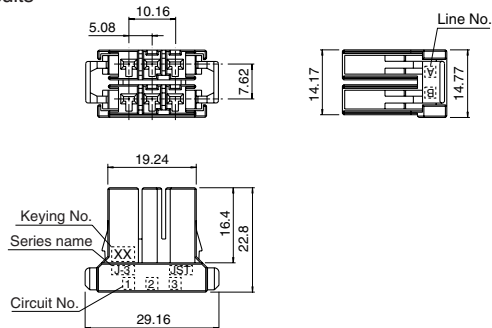
Material

Glass-filled PBT, UL94V-0, black

RoHS compliance

Double-row type

- 6 circuits



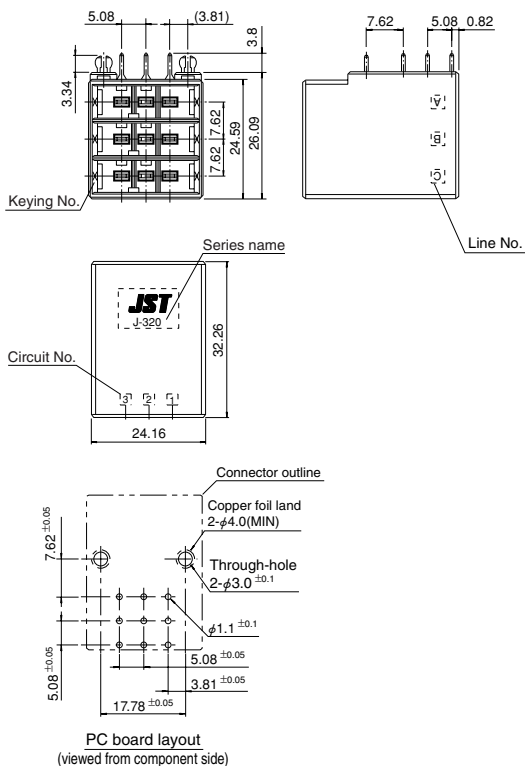
Circuits	Keying	Model No.	Q'ty / bag
6	XX	F32FMS-06V-KXX	100
	YY	F32FMS-06V-KYY	100
	XY	F32FMS-06V-KXY	100

Material

Glass-filled PBT, UL94V-0, black

RoHS compliance

Header (Side entry type)



Circuits	Keying	Model No.	Q'ty / box
9	XXX	S09B-F32TK-GGXAR	42
	XXY	S09B-F32TK-GGXBR	42
	XYX	S09B-F32TK-GGXCR	42
	YYX	S09B-F32TK-GGXDR	42

Material and Finish

Tab contact: Copper alloy, nickel-undercoated, selective gold-plated
Housing: Glass-filled PBT, UL94V-0, black
Reinforcing metal fixture: Copper alloy, nickel-undercoated, selective gold-plated

RoHS compliance

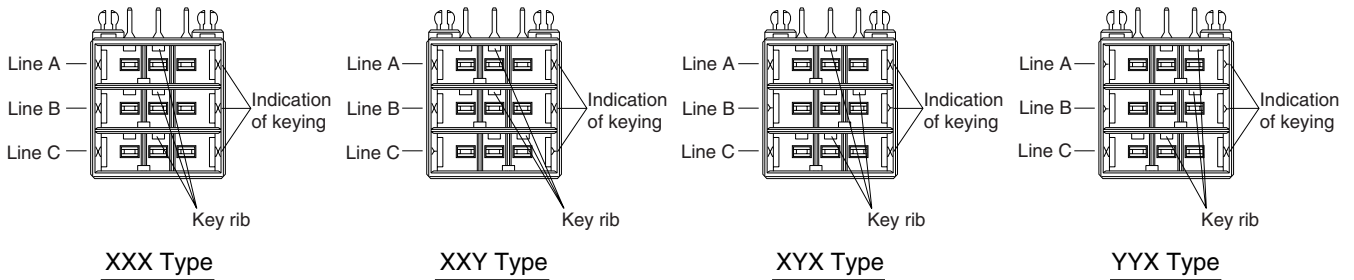
This product displays (LF)(AU) on a label.

Note: 1. Contact JST for tin-plated product.

2. Not CSA/TÜV approved

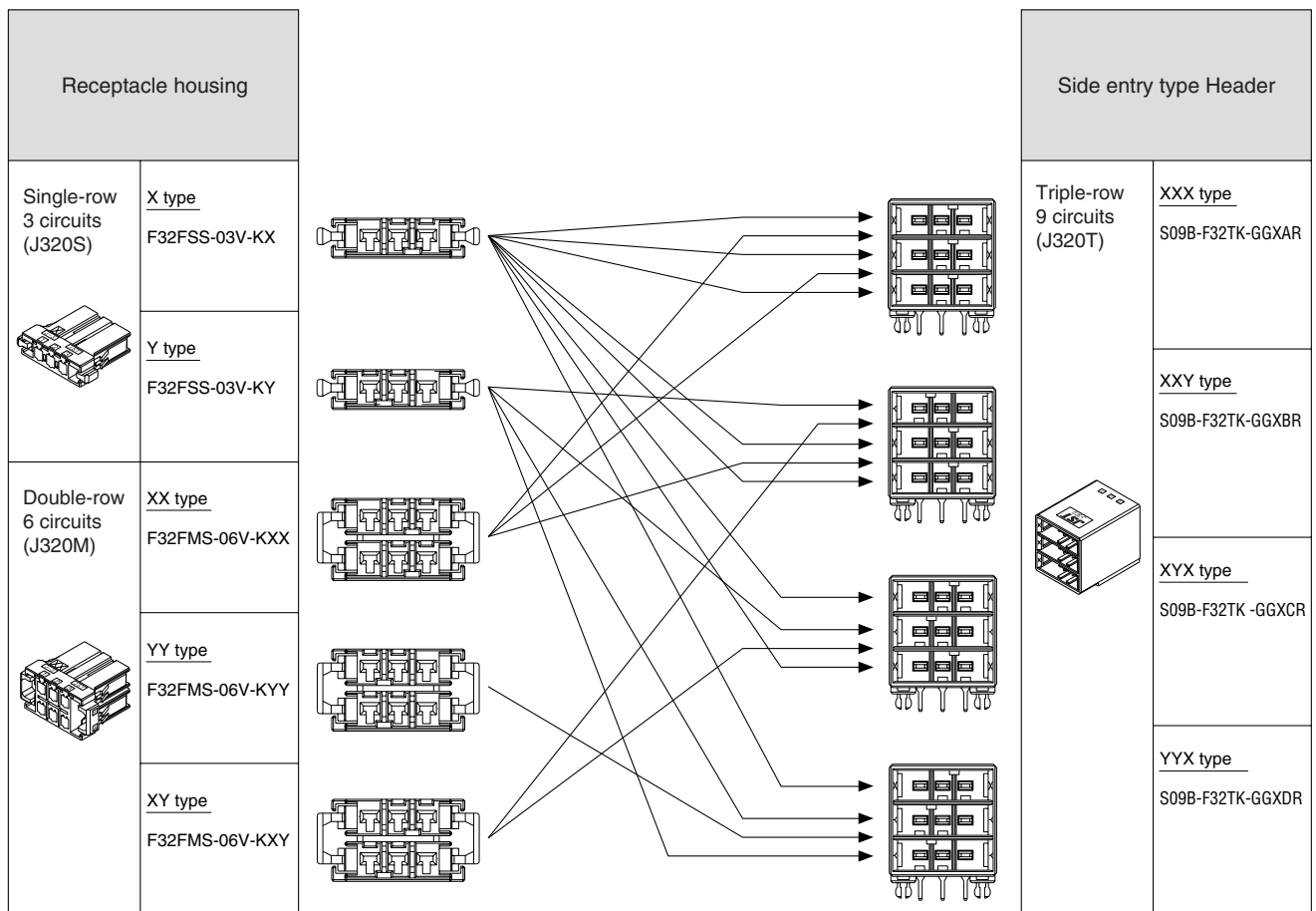
Keying

J320T series have mis-insertion preventive keying.
Available in 4 types – XXX type, XXY type, XYX type and YYX type.
(Headers viewed from the mating side are shown below.)



List of combinations

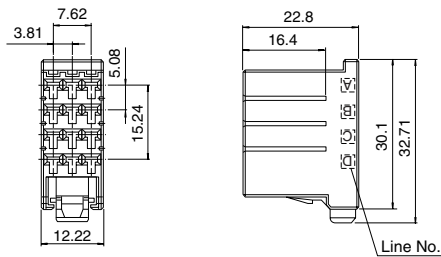
With the combination of the J320T headers and the J320S/J320M receptacle housings, the following modular combinations are possible.



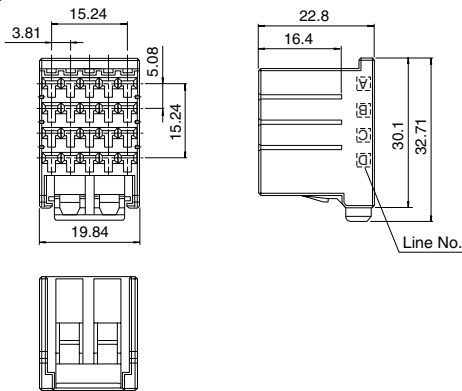
J300 SERIES/J340F

Receptacle housing

• 12 circuits



• 20 circuits



Circuits	Keying	Model No.	Q'ty / bag
12	—	F34FFC-12V-K	100
20	—	F34FFC-20V-K	100

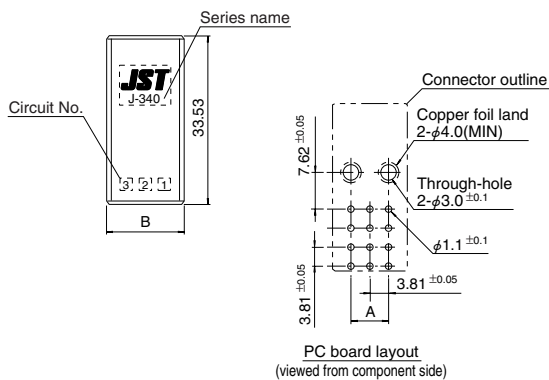
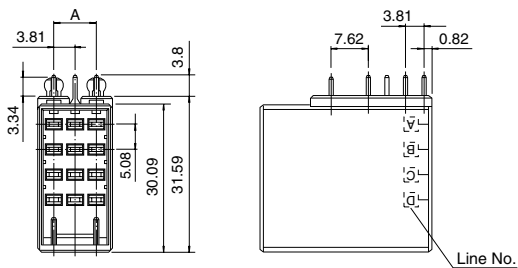
Material

Glass-filled PBT, UL94V-0, black

RoHS compliance

Note: Not CSA/TÜV approved.

Header (Side entry type)



Circuits	Keying	Model No.	Dimensions (mm)		Q'ty / box
			A	B	
12	—	SC12B-F34FK-GGR	7.62	15.02	63
20	—	SC20B-F34FK-GGR	15.24	22.64	42

Material and Finish

Tab contact: Copper alloy, nickel-undercoated, selective gold-plated

Housing: Glass-filled PBT, UL94V-0, black

Reinforcing metal fixture: Copper alloy, nickel-undercoated, selective gold-plated

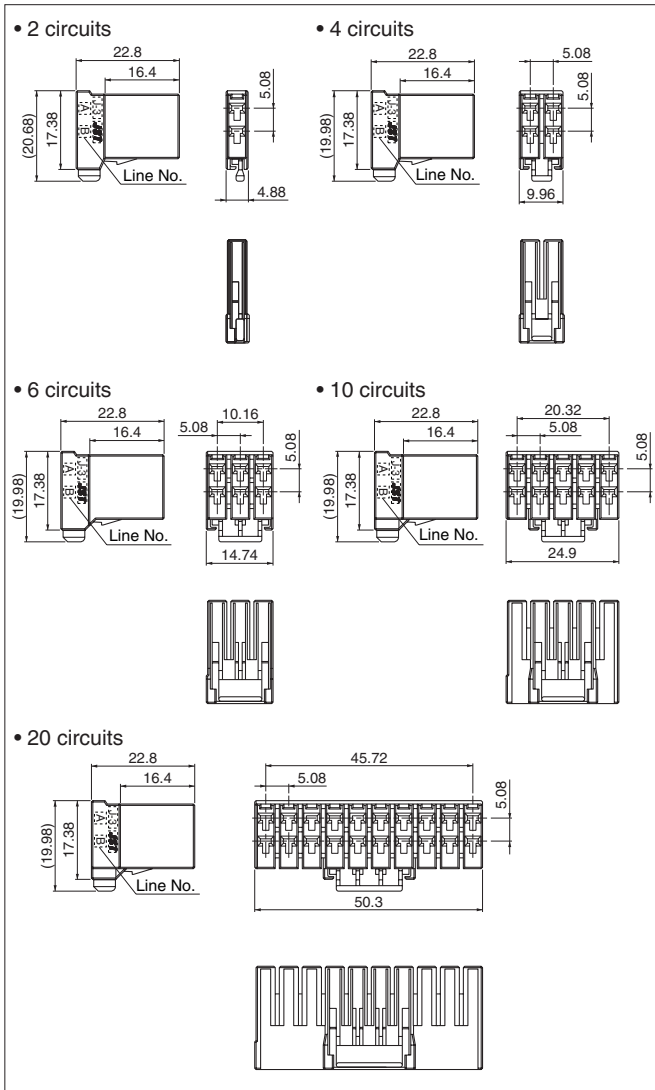
RoHS compliance

This product displays (LF)(AU) on a label.

Note: 1. Contact JST for tin-plated product.

2. Not CSA/TÜV approved

Receptacle housing



Circuits	Keying	Model No.	Q'ty / bag
2	—	F35FDC-02V-K	200
4	—	F35FDC-04V-K	200
6	—	F35FDC-06V-K	200
10	—	F35FDC-10V-K	100
20	—	F35FDC-20V-K	100

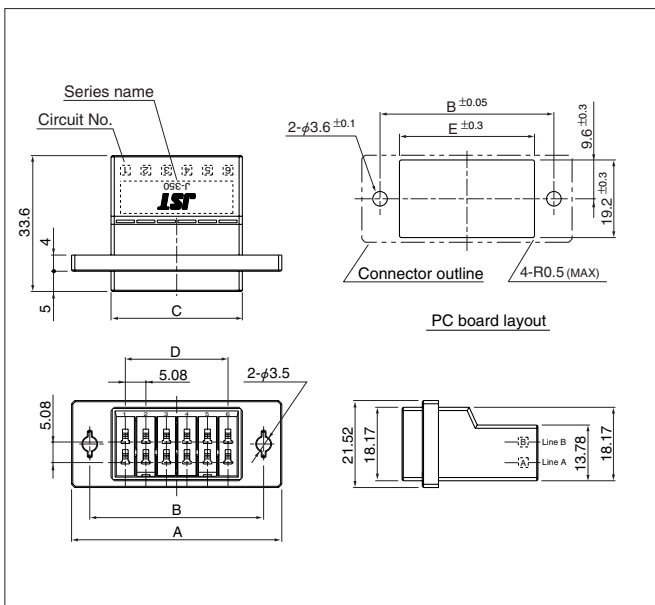
Material

Glass-filled PBT, UL94V-0, black

RoHS compliance

Note: Not CSA/TÜV approved.

Tab housing (Panel mounting type)



Circuits	Keying	Model No.	Dimensions (mm)					Q'ty / box
			A	B	C	D	E	
12	—	F35MDP-12V-K	52.00	43.00	32.48	25.40	33.40	41

Material

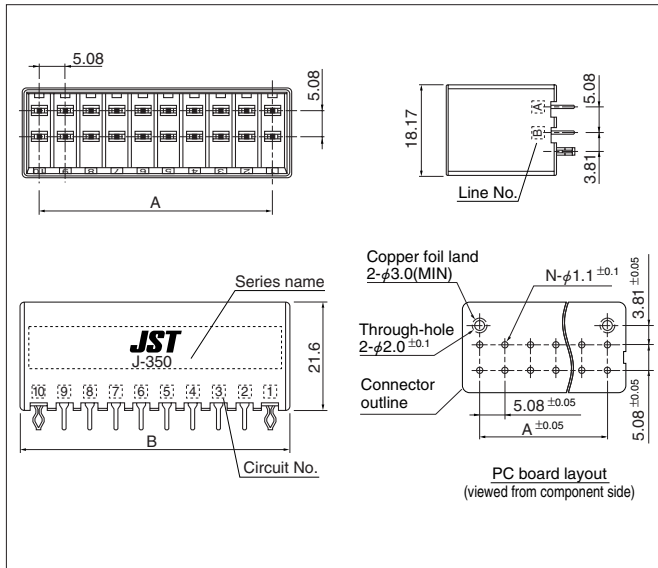
Glass-filled PBT, UL94V-0, black

RoHS compliance

Note: Not CSA/UL/TÜV approved.

J300 SERIES/J350D

Header (Top entry type)



Circuits	Keying	Model No.	Dimensions (mm)		Q'ty / box
			A	B	
12	—	BC12B-F35DK-GGR	25.4	32.48	56
20	—	BC20B-F35DK-GGR	45.72	52.8	32

Material and Finish

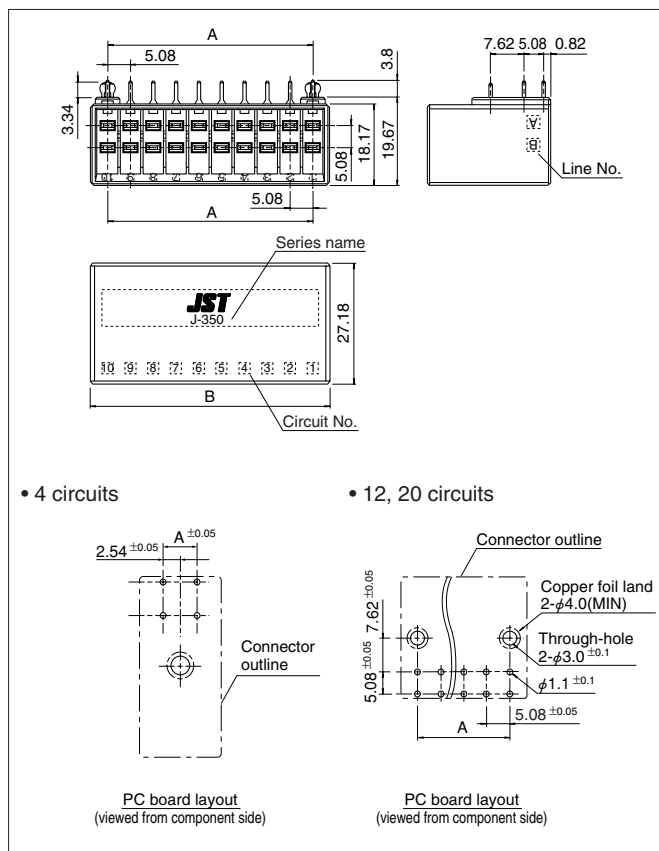
Tab contact: Copper alloy, nickel-undercoated, selective gold-plated
Housing: Glass-filled PBT, UL94V-0, black
Reinforcing metal fixture: Copper alloy, nickel-undercoated, selective gold-plated

RoHS compliance This product displays (LF)(AU) on a label.

Note: 1. Contact JST for tin-plated product.

2. Not CSA/TÜV approved

Header (Side entry type)



Circuits	Keying	Model No.	Dimensions (mm)		Q'ty / box
			A	B	
4	—	SC04B-F35DK-GGR	5.08	12.16	152
12	—	SC12B-F35DK-GGR	25.4	32.48	56
20	—	SC20B-F35DK-GGR	45.72	52.8	32

Material and Finish

Tab contact: Copper alloy, nickel-undercoated, selective gold-plated
Housing: Glass-filled PBT, UL94V-0, black
Reinforcing metal fixture: Copper alloy, nickel-undercoated, selective gold-plated

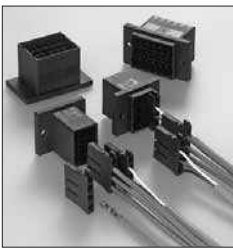
RoHS compliance This product displays (LF)(AU) on a label.

Note: 1. Contact JST for tin-plated product.

2. Not CSA/TÜV approved

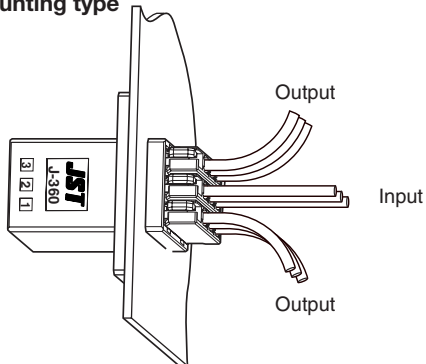
• 4 circuits

• 12, 20 circuits

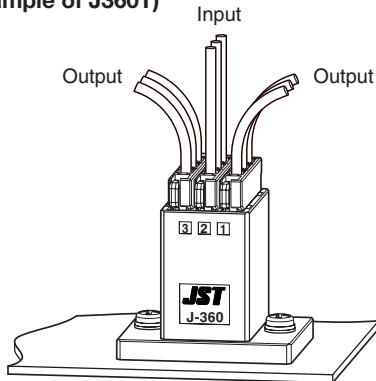


J300 SERIES/COMMON TYPE CONNECTOR

• Panel mounting type



• Direct mounting type (Example of J360T)



- Receptacle terminal of JFA J300 series can be used.
- Between rows are commonly connected.
- Proposing rationalization of wiring.
- Mounting method of connector.

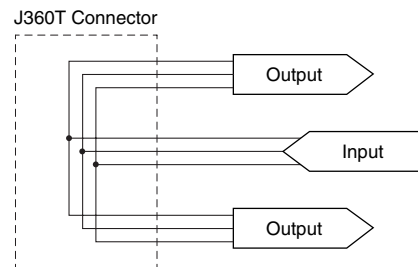
Specifications

- Current rating: 18A AC, DC (18 circuits/AWG #14)
- Voltage rating: 600V AC, DC
- Temperature range: -55°C to $\sim 105^{\circ}\text{C}$
(including temperature rise in applying electrical current)

*Contact JST for details.

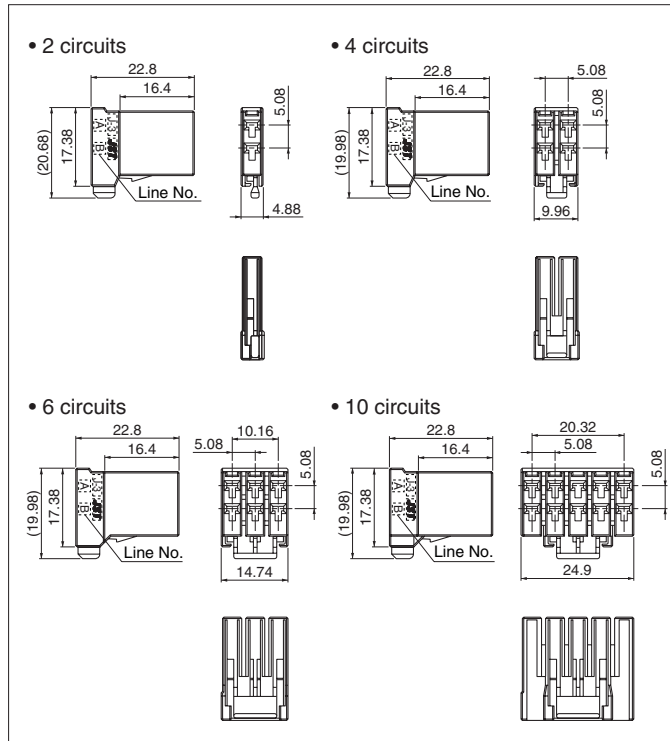
*RoHS compliant products are published.

Circuit figure



COMMON TYPE/J350DC

Receptacle housing



Circuits	Keying	Model No.	Q'ty / bag
2	—	F35FDC-02V-K	200
4	—	F35FDC-04V-K	200
6	—	F35FDC-06V-K	200
10	—	F35FDC-10V-K	100

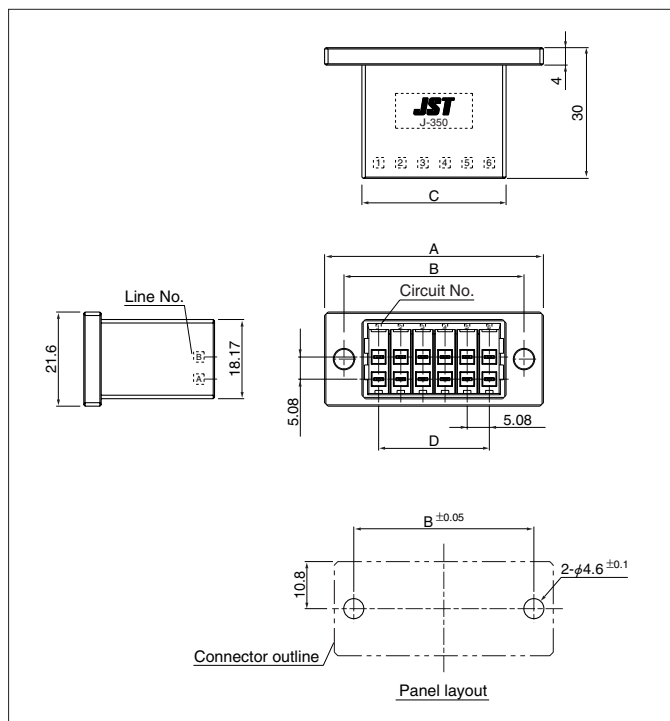
Material

Glass-filled PBT, UL94V-0, black

RoHS compliance

Note: Not CSA/TÜV approved.

Tab housing assembly



Circuits	Keying	Model No.	Dimensions (mm)				Q'ty / box
			A	B	C	D	
12	—	P12B-F35DK-GFAR	57.0	44.6	33.08	25.4	196

Material and Finish

Tab contact: Copper alloy, nickel-undercoated, selective gold-plated
Housing: Glass-filled PBT, UL94V-0, black

RoHS compliance

This product displays (LF)(AU) on a label.
Note: 1. Tightening torque of M3 screw varies depending on screw and material to be tighten as follows.

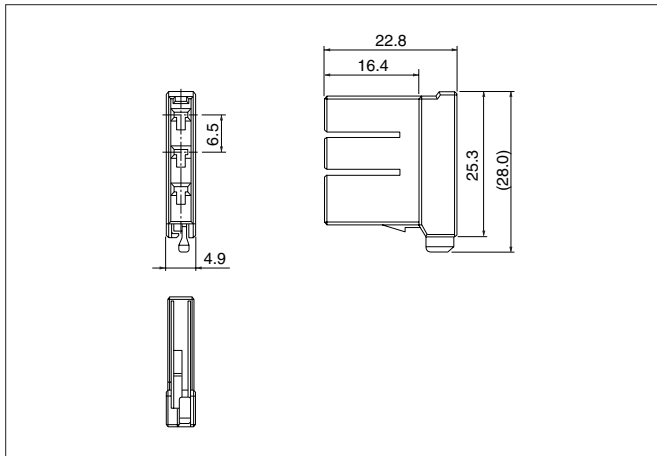
Steel: 50cN • m max.

Copper, aluminum and plastics: 30cN • m (reference target value)

2. Not CSA/TÜV approved.

COMMON TYPE/J360T

Receptacle housing



Circuits	Keying	Model No.	Q'ty / bag
3	—	F36FTC-03V-K	200

Material

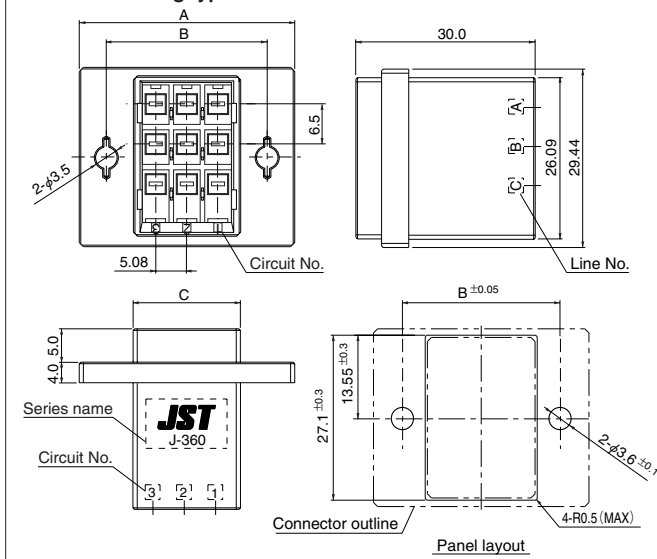
Glass-filled PBT, UL94V-0, black

RoHS compliance

Note: Not CSA/TÜV approved.

Tab housing assembly

• Panel mounting type



Circuits	Keying	Model No.	Dimensions (mm)			Q'ty / box
			A	B	C	
9	—	P09B-F36TK-GFR	35.0	26.1	17.8	364
18	—	P18B-F36TK-GFR	50.2	41.3	33.1	224

Material and Finish

Tab contact: Copper alloy, nickel-undercoated, selective gold-plated
Housing: Glass-filled PBT, UL94V-0, black

RoHS compliance

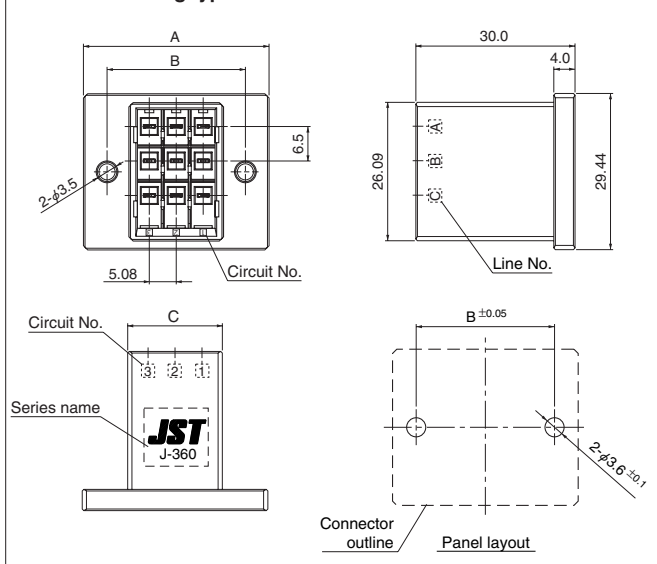
Note: 1. Tightening torque of M3 screw varies depending on screw and material to be tighten as follows.

Steel: 50cN • m max.

Copper, aluminum and plastics: 30cN • m (reference target value)

2. Not CSA/TÜV approved.

• Direct mounting type



Circuits	Keying	Model No.	Dimensions (mm)			Q'ty / box
			A	B	C	
9	—	P09B-F36TK-GFAR	35.0	26.1	17.8	364
18	—	P18B-F36TK-GFAR	50.2	41.3	33.1	224
24	—	P24B-F36TK-GFANR	60.4	51.5	43.2	168

Material and Finish

Tab contact: Copper alloy, nickel-undercoated, selective gold-plated
Housing: Glass-filled PBT, UL94V-0, black

RoHS compliance

Note: 1. Tightening torque of M3 screw varies depending on screw and material to be tighten as follows.

Steel: 50cN • m max.

Copper, aluminum and plastics: 30cN • m (reference target value)

2. There is no cover of common tab side for 24 circuits.

P24B-F36TK-GFANR

N means no cover.

3. The top and bottom for both the logo mark and the series name of 24 circuits reverse display of 9 or 18 circuits.

4. Not CSA/TÜV approved.

JFA CONNECTOR/J300 SERIES

Model number identification

Receptacle contact

S F3 F - 41 GF - P 2.0

Form: S...Strip form, B...Loose piece
L...Loose piece with curled barrels

Series name

Kind of terminal: F...Receptacle contact

Applicable wire: 002...AWG #28 ~ #24, 01...AWG #24 ~ #20
41...AWG #20 ~ #16, 71...AWG #16 ~ #14

Surface finish: GF...Nickel-undercoated, 0.38 μ m selective gold-plated
G1...Nickel-undercoated, 0.76 μ m selective gold-plated
T...Tin-plated (Reflow treatment)

Material: P...Copper alloy

Terminal size

Tab contact

S F3 M - 41 GF - M 2.0 N

Form: S...Strip form, B...Loose piece
L...Loose piece with curled barrels

Series name

Kind of terminal: M...Tab contact

Applicable wire: 01...AWG #24 ~ #20, 41...AWG #20 ~ #16
71...AWG #16 ~ #14

Surface finish: GF...Nickel-undercoated, 0.38 μ m selective gold-plated
G1...Nickel-undercoated, 0.76 μ m selective gold-plated
T...Tin-plated (Reflow treatment)

Material: M...Copper alloy

Terminal size

Sequential identification

Receptacle housing

F31 F S S - 03 V - K X

Series name

Type of connector: F...Receptacle housing

Rows: S...Single-row
D...Double-row with 5.08mm line pitch
M...Double-row with 7.62mm line pitch
F...Quadruple-row with 5.08mm line pitch

Configuration: S...Side locking, C...Center locking

No. of circuits: 1 ~ 6, 8, 10, 12, 16, 20

Flammability: V...UL94V-0

Color indication: K...Black, S...White, E...Blue

Keying: X...X-Keyping, Y...Y-Keyping, XX...XX-Keyping
YY...YY-Keyping, XY...XY-Keyping, Blank...Without Keyping No.

Tab housing

F31 M S F - 03 V - K X

Series name

Kind of terminal: M...Tab housing

Rows: S...Single-row, D...Double-row with 5.08mm line pitch
M...Double-row with 7.62mm line pitch

Configuration: F...Free hanging, P...Panel mounting

No. of circuits: 1 ~ 6, 8, 10, 12, 16, 20

Flammability: V...UL94V-0

Color indication: K...Black, S...White, E...Blue

Keying: X...X-Keyping, Y...Y-Keyping, XX...XX-Keyping
YY...YY-Keyping, XY...XY-Keyping, Blank...Without Keyping No.

Header

B 05 B - F31 S K - GG X R

PC board mounting direction:
B...Top entry type
S...Side entry type
BC...Top & center locking
SC...Side & center locking

No. of circuits: 2 ~ 6, 8, 10, 12, 16, 20

Product name: Header

Series name

Rows: S...Single-row
D...Double-row with 5.08mm line pitch
M...Double-row with 7.62mm line pitch
T...Triple-row with 7.62mm line pitch
F...Quadruple-row with 5.08mm line pitch

Color indication: K...Black, S...White, E...Blue

Surface finish: GG...Nickel-undercoated, 0.38 μ m selective gold-plated
GK...Nickel-undercoated, 0.76 μ m selective gold-plated
T...Tin-plated (Reflow treatment)

Keying: X...X-Keyping, Y...Y-Keyping, XX...XX-Keyping, YY...YY-Keyping,
XY...XY-Keyping, XA...XX-Keyping, XB...XXY-Keyping,
XC...XYX-Keyping, XD...YYX-Keyping, Blank...Without Keyping No.

Packaging form: R...Tray, M...Magazine stick

Receptacle assembly

03 JFAT - SA Y GF - I

No. of circuits: 3 ~ 6

Series name

Mating type: SA...Normal type, SB...Reverse type

Keying: X...X-Keyping, Y...Y-Keyping

Surface finish: GF...Nickel-undercoated, 0.38 μ m selective gold-plated

Shape: I ... I type

Tab housing assembly

P 18B-F36T K - GF A R

PC board mounting direction: Panel mounting type

No. of circuits - Assembly: 9, 12, 18, 24

Series name: F36T...J360T, F35D...J350DC

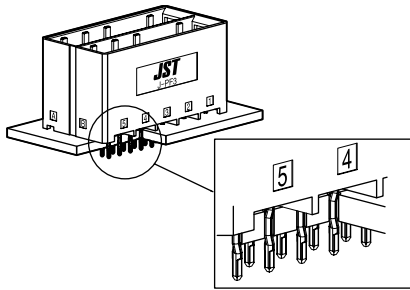
Color indication: K...Black

Surface finish: GF...Nickel-undercoated, 0.38 μ m selective gold-plated

Configuration: A...Direct mounting type, AF...Direct mounting without housing cover type,
Blank...Panel mounting type

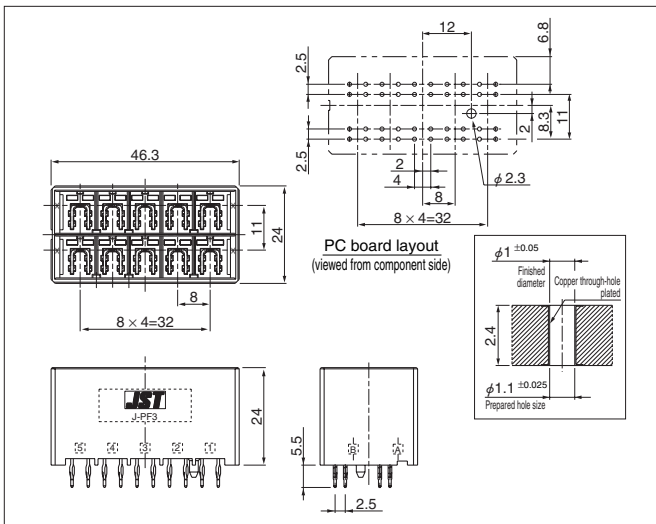
Packaging form: R...Tray

J300 SERIES/J-PF3 PRESS FIT TYPE



- Press fit contact is adopted.
- Easy PC board layout
- Use the receptacle contact of J300 series

Header Top entry type (Press fit type)



Circuits	Keying	Model No.	Q'ty / box
10	XX	B10B-JPF3MK-GKXXR	96
	YY	B10B-JPF3MK-GKYXR	96
	XY	B10B-JPF3MK-GKXYR	96
	YX	B10B-JPF3MK-GKYXR	96

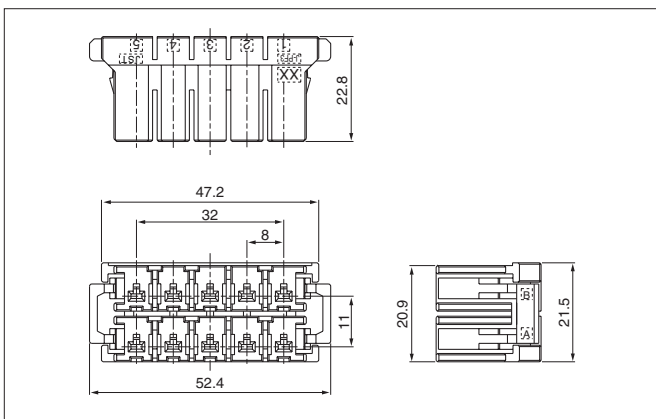
Material and Finish

Post: Copper alloy, gold-plated
Housing: Thermoplastic resin

RoHS compliance

Note: 1. Contact JST for jig for press fit.
2. Not CSA/UL/TÜV approved.

Receptacle housing



Circuits	Keying	Model No.	Q'ty / bag
10	XX	JPF3FMS-10V-KXX	400
	YY	JPF3FMS-10V-KYY	400
	XY	JPF3FMS-10V-KXY	400
	YX	JPF3FMS-10V-KYX	400

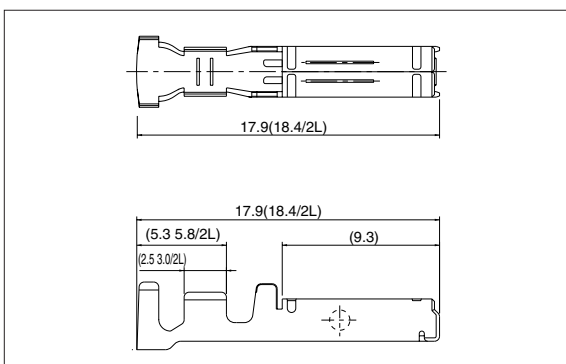
Material

Housing: Thermoplastic resin

RoHS compliance

Note: Not CSA/UL/TÜV approved.

Receptacle contact



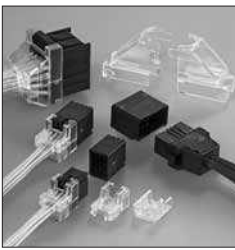
Model No.		Applicable wire			Insulation O.D. (mm)	Q'ty	
Strip contact	Loose piece	Nominal	mm ²	AWG#		reel	Box/Loose piece
SF3F-002GF-P2.0	BF3F-002GF-P2.0	S	0.08 ~ 0.20	28 ~ 24	0.8 ~ 1.4	3,700	1,000
SF3F-01GF-P2.0	BF3F-01GF-P2.0	M	0.20 ~ 0.50	24 ~ 20	1.2 ~ 2.6	3,700	1,000
SF3F-41GF-P2.0	LF3F-41GF-P2.0	L	0.50 ~ 1.25	20 ~ 16	1.8 ~ 2.8	3,200	1,000
*SF3F-71GF-P2.0	*BF3F-71GF-P2.0	2L	1.25 ~ 2.0	16 ~ 14	2.4 ~ 3.4	3,200	1,000

Material and Finish

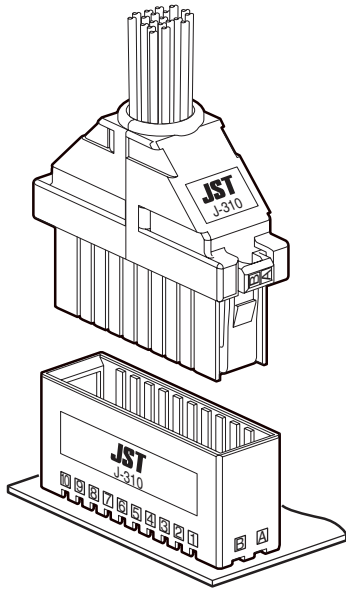
Copper alloy (superior conductivity), nickel-undercoated, selective gold-plated tin-plated (reflow treatment)

RoHS compliance

Note: *Marked products are not CSA/TÜV approved.



JFA CONNECTOR/PROTECTOR

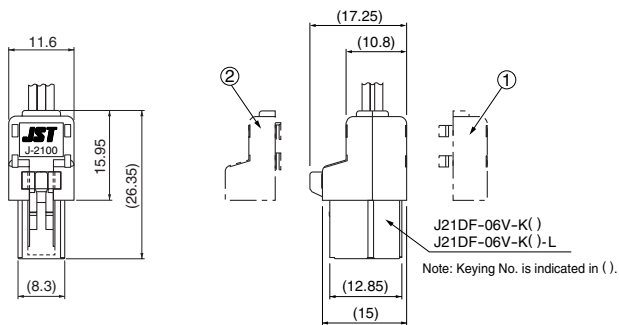


Note: Protector is not UL/CSA/TÜV approved

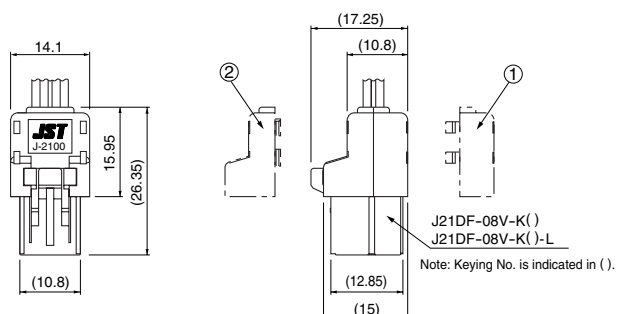
When applying a current to the connector, the protector prevents foreign substances being inserted into mating part from the wiring side. However it has no function of holding the wire securely.

J2000 Series

•J2100 series for 6 circuits



•J2100 series for 8 circuits



No.	Model No.	Color
①	J21PF-06SCA	Transparent
②	J21PF-06SCB	Transparent

Material

Polycarbonate

RoHS compliance

No.	Model No.	Color
①	J21PF-08SCA	Transparent
②	J21PF-08SCB	Transparent

Material

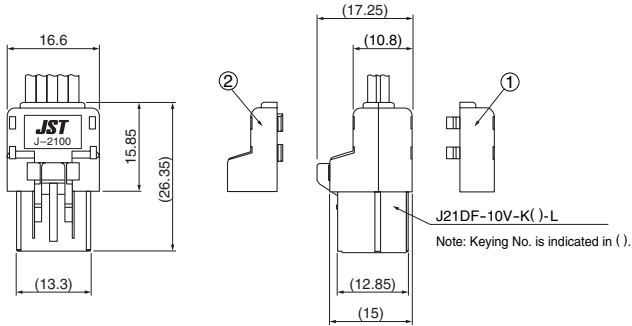
Polycarbonate

RoHS compliance

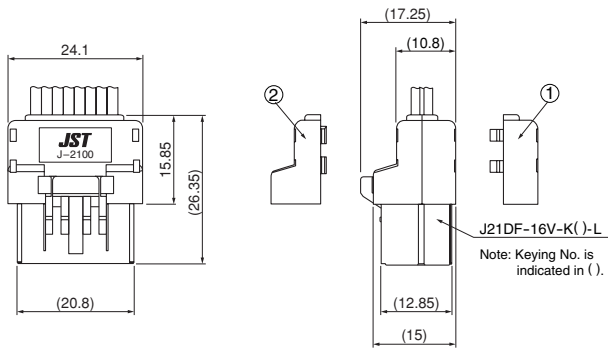
JFA CONNECTOR/PROTECTOR

J2000 Series

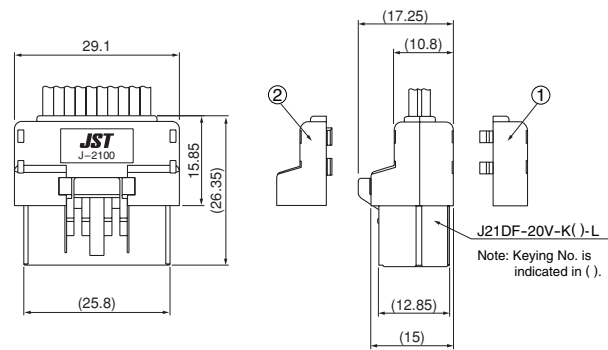
•J2100 series for 10 circuits



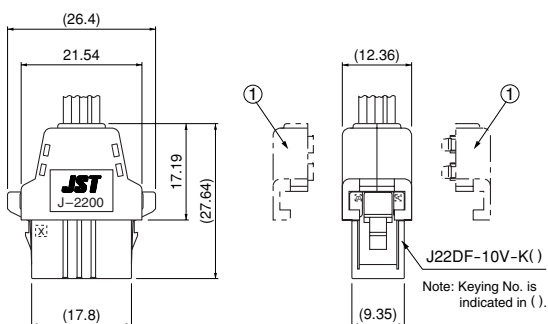
•J2100 series for 16 circuits



•J2100 series for 20 circuits



•J2200 series for 10 circuits



No.	Model No.	Color
①	J21PF-10SCA	Transparent
②	J21PF-10SCB	Transparent
Material		
Polycarbonate		

RoHS compliance

No.	Model No.	Color
①	J21PF-16SCA	Transparent
②	J21PF-16SCB	Transparent
Material		
Polycarbonate		

RoHS compliance

No.	Model No.	Color
①	J21PF-20SCA	Transparent
②	J21PF-20SCB	Transparent
Material		
Polycarbonate		

RoHS compliance

No.	Model No.	Color
①	J22PF-10VK	Black
Material		
Glass-filled PBT		

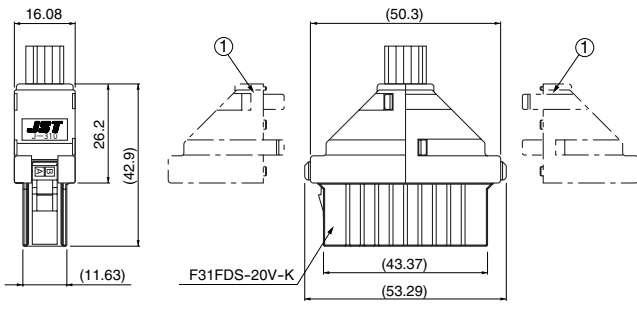
RoHS compliance

Note: Two protectors are used.

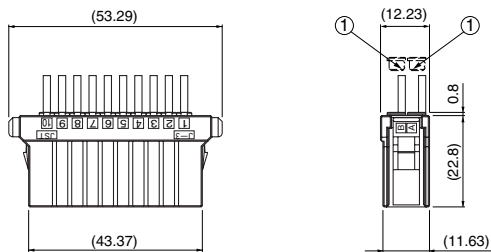
JFA CONNECTOR/PROTECTOR

J300 Series

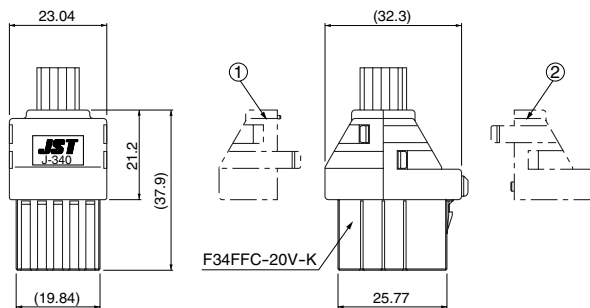
•J310D series for 20 circuits



•J310D series / Embedding-type protector for 8, 10 circuits

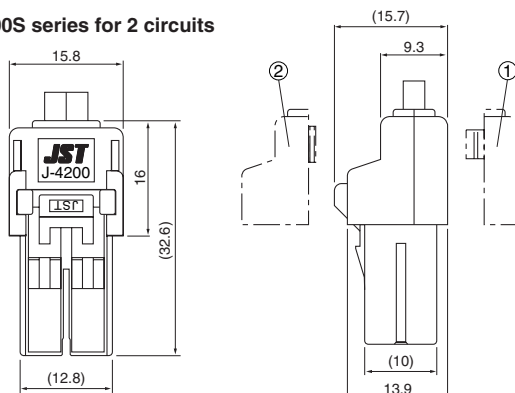


•J340F series for 20 circuits



J4000 Series

•J4200S series for 2 circuits



No.	Model No.	Color
①	F31PFD-20VK	Black
①	F31PFD-20SC	Transparent

Material

Black: Glass-filled PBT
Transparent: Polycarbonate

RoHS compliance

Note: Two protectors of the same color are used.

No.	Model No.	Color
①	F31PFS-10KU	Black

Material

Glass-filled PBT

RoHS compliance

Note: This protector is cut and used for each number of circuits.

No.	Model No.	Color
①	F34PFF-20VKA	Black
	F34PFF-20SCA	Transparent
②	F34PFF-20VKB	Black
	F34PFF-20SCB	Transparent

Material

Black: Glass-filled PBT
Transparent: Polycarbonate

RoHS compliance

Note: Both 1 and 2 protectors in the same color are used.

No.	Model No.	Color
①	J42PF-02SCA	Transparent
②	J42PF-02SCB	Transparent

Material

Polycarbonate

RoHS compliance

(Patent pending)

When applying a current to the connector, the protector prevents foreign substances being inserted into mating part from the wiring side. However it has no function of holding the wire securely.