

# Voltage Regulator Module

## Single Phase AC Output

**multicomp** PRO

**RoHS  
Compliant**



### Description

This is a non-isolated single-phase voltage regulator. The regulating potentiometer is 470K/2W. It is the most widely used industrial voltage regulator. Load current rating is 25~40A.

### Features

- Non-isolated single phase voltage regulator
- Load Voltage Ratings: 25 ~ 40A
- Regulating potentiometer 470K/2W
- Protection cover (option)
- LED indication

### Application

Suitable for all kinds of thermostat, plastic molding machines, vulcanization machine, etc

### Technical Specification

Input Circuit		
Regulating Potentiometer		150K/2W
		220K/2W
		470K/2W
Output Circuit		
Load Voltage Range		24 - 280V AC
Maximum Surge Current [@10ms]	25A	250A
	40A	400A
Transient Over voltage		600Vpk
Maximum Off-State Leakage Current [@ Rated Voltage]		5mA
General Information		
Dielectric Strength[50/60Hz]	Input,Output/Base	≥2500Vrms
Ambient Operating Temperature Range		-30°C ~ +80°C
Ambient Storage Temperature Range		-30°C ~ +100°C
Weight [Typical]		85g

Newark.com/multicomp-pro  
Farnell.com/multicomp-pro  
Element14.com/multicomp-pro

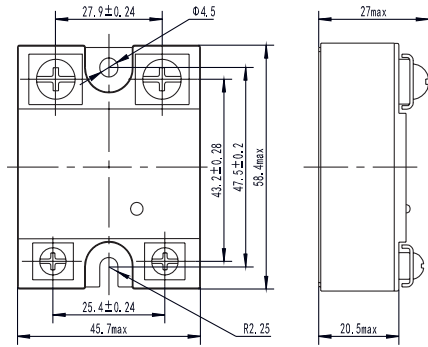
**multicomp** PRO

# Voltage Regulator Module

## Single Phase AC Output

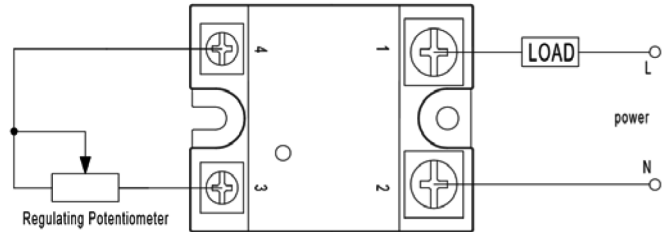
**multicomp** PRO

### Installation Drawing

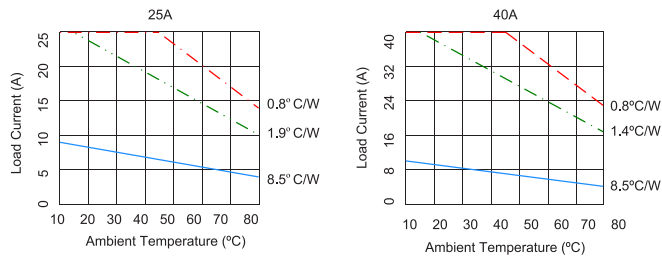


Dimensions : Millimetres

### Wiring Diagram



### Thermal Curve



### Part Number Table

Description	Part Number
Voltage Regulator Module, Panel Mount, 25A, 240V AC, 470K/2W	MC002374
Voltage Regulator Module, Panel Mount, 40A, 240V AC, 470K/2W	MC002375

**Important Notice :** This data sheet and its contents (the "Information") belong to the members of the AVNET group of companies (the "Group") or are licensed to it. No licence is granted for the use of it other than for information purposes in connection with the products to which it relates. No licence of any intellectual property rights is granted. The Information is subject to change without notice and replaces all data sheets previously supplied. The Information supplied is believed to be accurate but the Group assumes no responsibility for its accuracy or completeness, any error in or omission from it or for any use made of it. Users of this data sheet should check for themselves the Information and the suitability of the products for their purpose and not make any assumptions based on information included or omitted. Liability for loss or damage resulting from any reliance on the Information or use of it (including liability resulting from negligence or where the Group was aware of the possibility of such loss or damage arising) is excluded. This will not operate to limit or restrict the Group's liability for death or personal injury resulting from its negligence. Multicomp Pro is the registered trademark of Premier Farnell Limited 2019.

Newark.com/multicomp-pro  
 Farnell.com/multicomp-pro  
 Element14.com/multicomp-pro

**multicomp** PRO