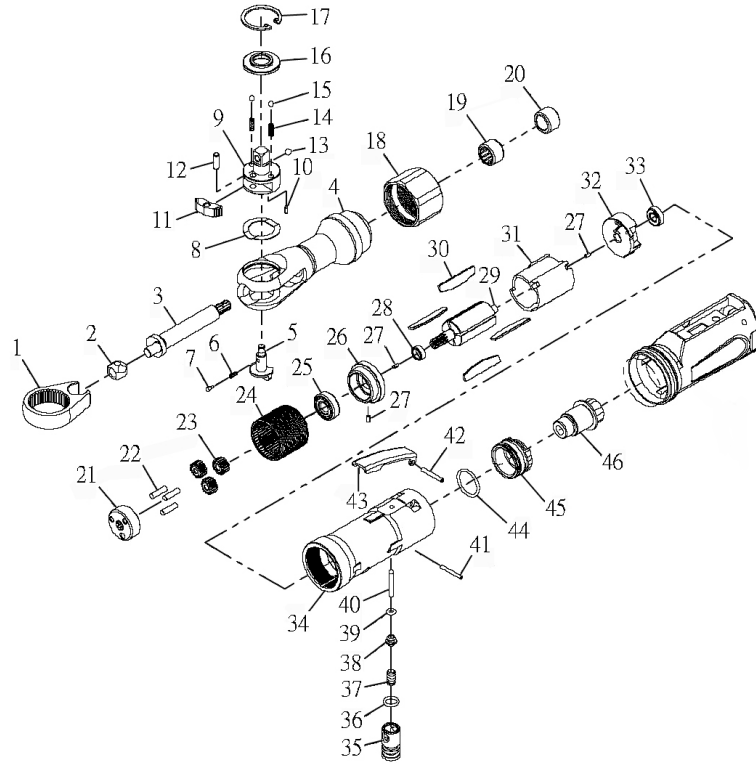




Parts Information:
Air Ratchet Wrench 3/8" Sq Drive Premier
Model No: SA607.V2



Item	Part No.	Description
1	SA607.V2-01	RATCHET YOKE
2	SA607.V2-02	DRIVE BUSHING
3	SA607.V2-03	CRANKSHAFT
4	SA607.V2-04	RATCHET HOUSING
5	SA607.V2-05	REVERSE BUTTON
6	SA607.V2-06	RATCHET SPRING
7	SA607.V2-07	SPRING CAP
8	SA607.V2-08	CRINKLE WASHER
9	SA607.V2-09	RATCHET ANVIL
10	SA607.V2-10	SPRING PIN (2.5x6)
11	SA607.V2-11	PAWL
12	SA607.V2-12	NEEDLE ROLLER
13	SB-4.7	STEEL BALL 4.7mm
14	SA607.V2-14	SPRING
15	SB-4.0	STEEL BALL 4.0mm
16	SA607.V2-16	THRUST WASHER
17	SA607.V2-17	RETAINING RING
18	SA607.V2-18	CLAMP NUT
19	B/HK1212	NEEDLE BEARING HK1212
20	SA607.V2-20	BUSHING
21	SA607.V2-21	IDLE SPINDLE
22	SA607.V2-22	NEEDLE ROLLER
23	SA607.V2-23	IDLER GEAR

Item	Part No.	Description
24	SA607.V2-24	INTERNAL GEAR
25	B/608ZZ	BEARING 608ZZ
26	SA607.V2-26	FRONT END PLATE
27	SA607.V2-27	SPRING PIN (2.5x5)
28	SA607.V2-28	SPACER
29	SA607.V2-29	ROTOR
30	SA607.V2-30	ROTOR BLADE (SET OF 4)
31	SA607.V2-31	CYLINDER
32	SA607.V2-32	REAR END PLATE
33	B/696ZZ	BEARING 696ZZ
34	SA607.V2-34	MOTOR HOUSING
35	SA607.V2-35	VALVE SCREW
36	SA607.V2-36	O-RING
37	SA607.V2-37	VALVE SPRING
38	SA607.V2-38	THROTTLE VALVE
39	SA607.V2-39	O-RING
40	SA607.V2-40	VALVE SHAFT
41	SA607.V2-41	SPRING PIN
42	SA607.V2-42	SPRING PIN
43	SA607.V2-43	THROTTLE LEVER
44	SA607.V2-44	O-RING
45	SA607.V2-45	EXHAUST SLEEVE
46	SA607.V2-46	INLET BUSHING

NOTE: It is our policy to continually improve products and as such we reserve the right to alter data, specifications and component parts without prior notice.
IMPORTANT: No liability is accepted for incorrect use of product.
WARRANTY: Guarantee is 12 months from purchase date, proof of which will be required for any claim.

Sealey Group, Kempson Way, Suffolk Business Park, Bury St Edmunds, Suffolk. IP32 7AR

01284 757500 | 01284 703534 | sales@sealey.co.uk | www.sealey.co.uk