



SUPPRESSION DIODE, DC 12...250 V, SURGE SUPPRESSOR, FOR MOUNTING ONTO CONTACTORS SIZES00

General technical data:

product brand name		SIRIUS
Product designation		surge suppressor
Design of the surge suppressor		with diode

Control circuit/ Control:

Type of voltage of the control supply voltage		DC
Control supply voltage 1		
<ul style="list-style-type: none"> <li>• for DC</li> <li>— Initial rated value</li> <li>— Final rated value</li> </ul>	V V	12 250

Certificates/ approvals:

General Product Approval	Functional Safety/Safety of Machinery	Declaration of Conformity	Test Certificates
--------------------------	---------------------------------------	---------------------------	-------------------



[Type Examination](#)



[Special Test Certificate](#)

### Shipping Approval



Shipping Approval	other
-------------------	-------



[Confirmation](#)

[other](#)

[Environmental Confirmations](#)

### Further information

**Information- and Downloadcenter (Catalogs, Brochures,...)**

<http://www.siemens.com/industrial-controls/catalogs>

**Industry Mall (Online ordering system)**

<http://www.siemens.com/industrymall>

**Cax online generator**

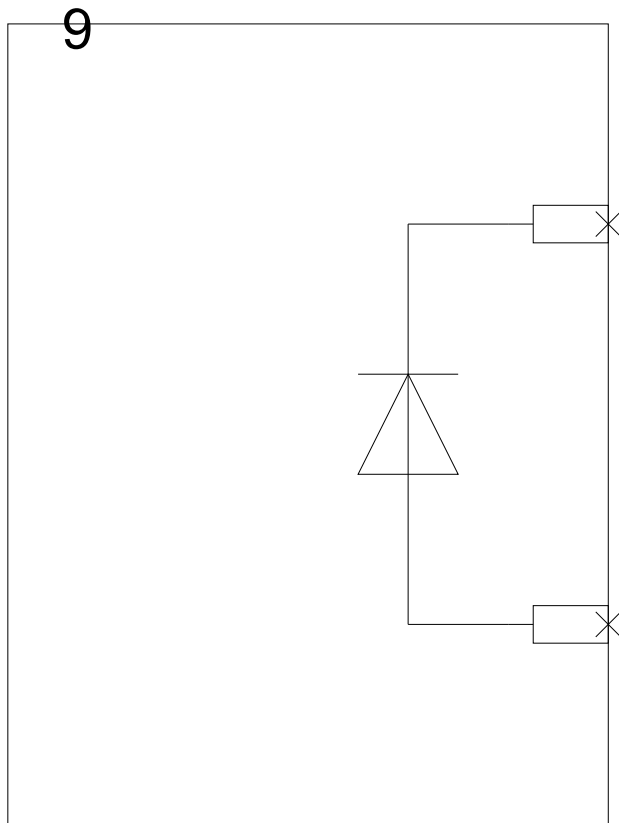
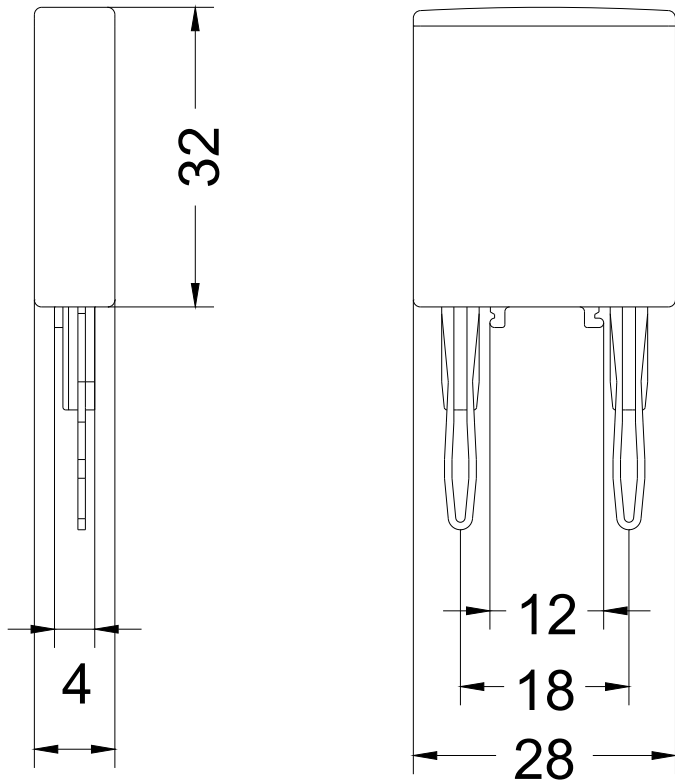
<http://support.automation.siemens.com/WW/CAXorder/default.aspx?lang=en&mlfb=3RT19161DG00>

**Service&Support (Manuals, Certificates, Characteristics, FAQs,...)**

<http://support.automation.siemens.com/WW/view/en/3RT19161DG00/all>

**Image database (product images, 2D dimension drawings, 3D models, device circuit diagrams, EPLAN macros, ...)**

<http://www.automation.siemens.com/bilddb/index.aspx?attID9=3RT19161DG00&lang=en>



last modified:

09.03.2015