

Hinges • stainless steel, elongated on both sides

25162.0025

Product Description



These hinges from stainless steel are characterised by the compact design. The hinge pins are form-fit pressed and are therefore suitable for use in case of strong vibrations and shocks. Appropriate friction pairings of the hinge components and the lubrication reduce abrasion to a minimum. The version with centering steps avoids lateral slipping under high loads and thus protects the fixing screws from unacceptable lateral forces.

Material

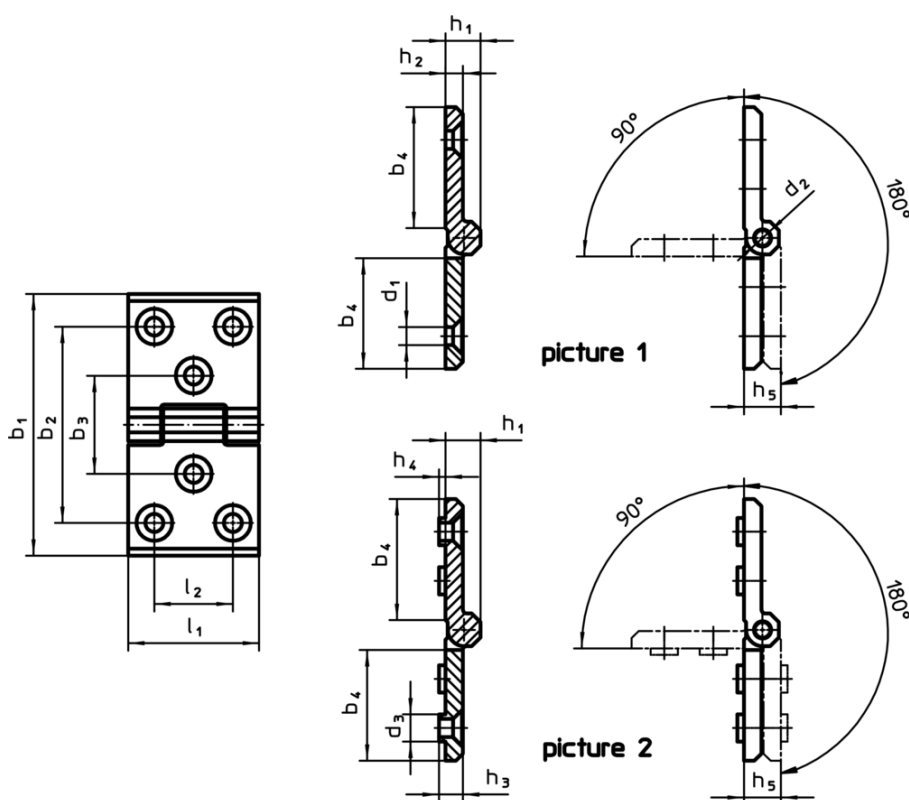
Body

- Stainless steel 1.4405, dull blasted

Axis

- stainless steel

Drawing



Order information

Dimensions														[g]	Art. No.
b_1	l_1	b_2	b_3	b_4	d_1	d_2	d_3	h_1	h_2	h_3	h_4	h_5	l_2		
with additional mounting hole on both sides – picture 1, dull blasted															
160	80	120	60	75	10.3	10	14.5	20	10	10.5	4	21	50	896	25162.0025

Compliance

RoHS compliant

Compliant according to Directive 2011/65/EU and Directive 2015/863

Does not contain SVHC substances

No SVHC substances with more than 0.1% w/w contained - SVHC list [REACH] as of 10.06.2022

Does not contain Proposition 65 substances

No Proposition 65 substances included
<https://www.P65Warnings.ca.gov/>

Free from Conflict Minerals

This product does not contain any substances designated as "conflict minerals" such as tantalum, tin, gold or tungsten from the Democratic Republic of Congo or adjacent countries.