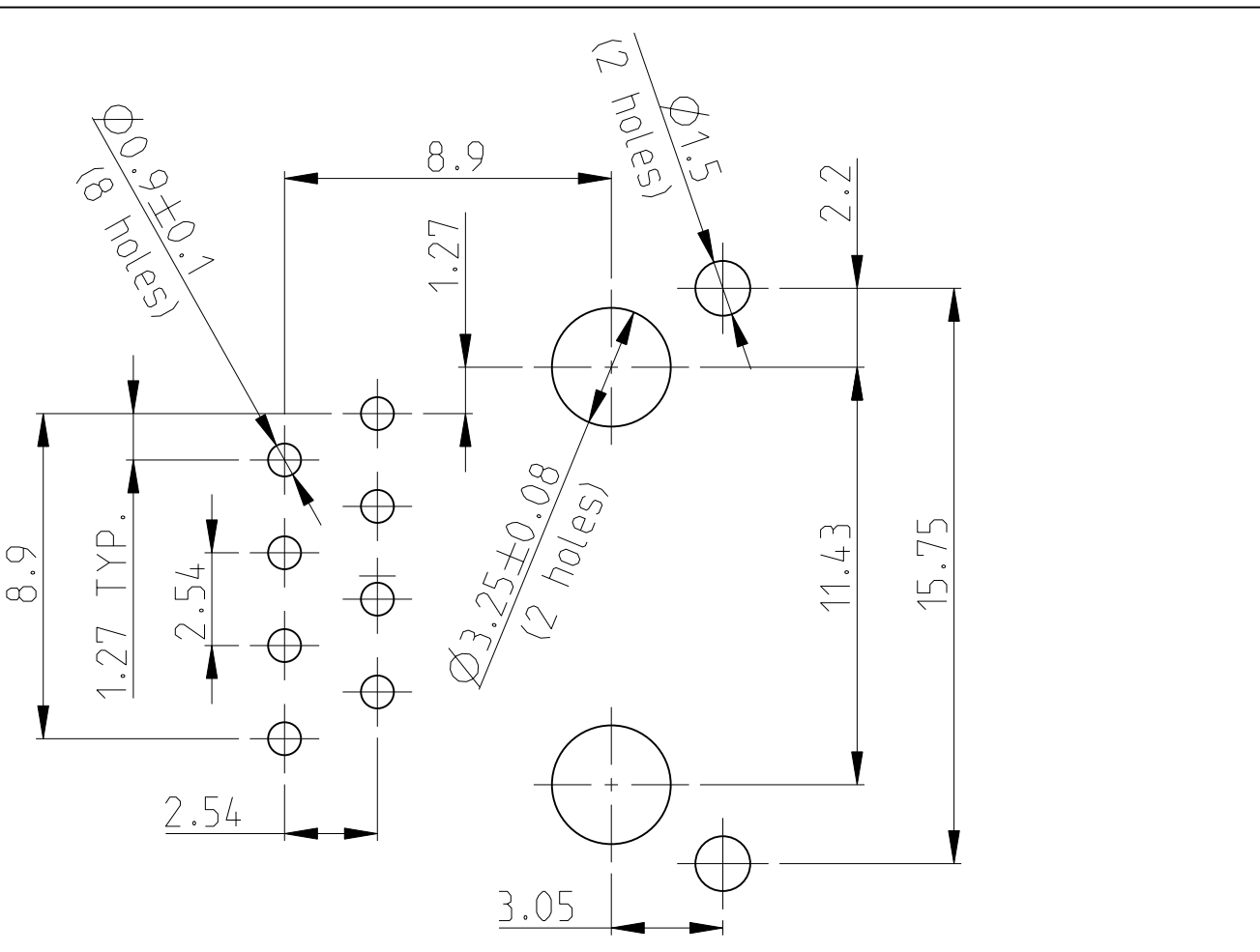
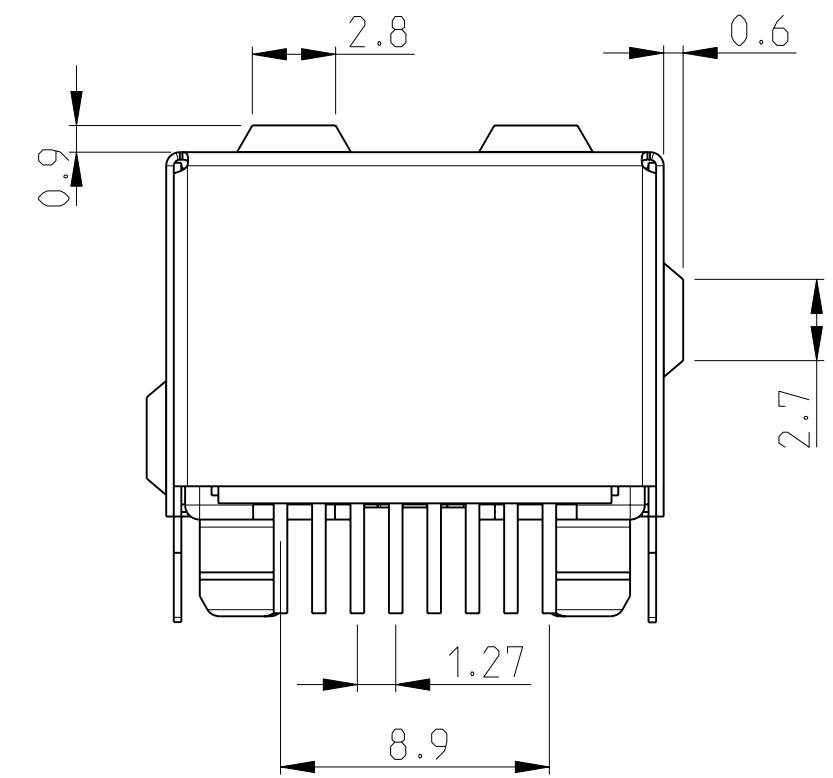
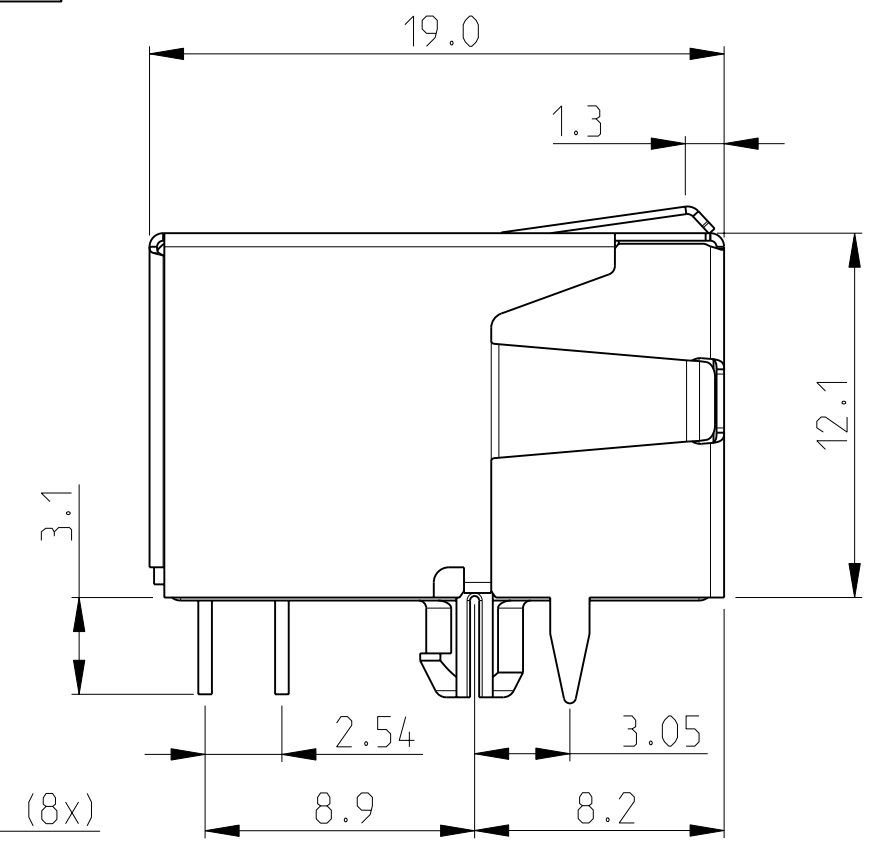
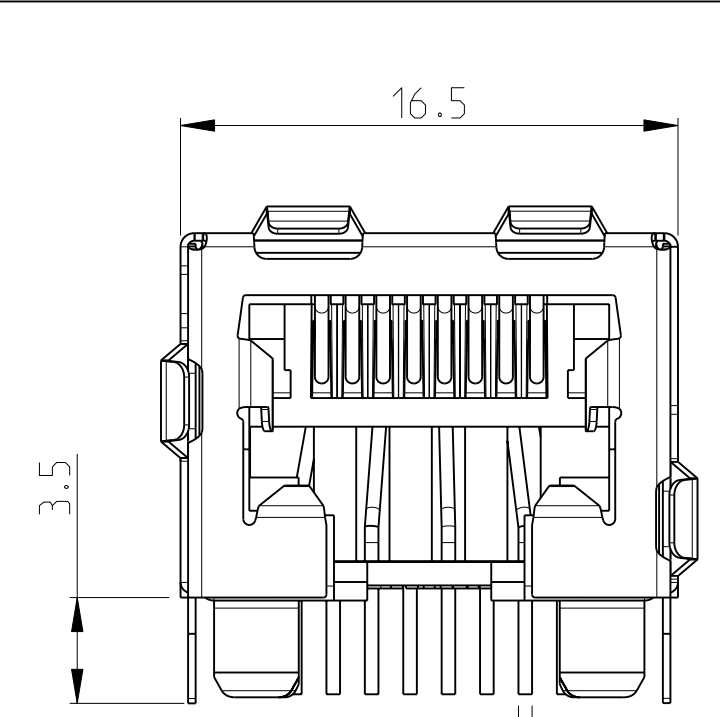
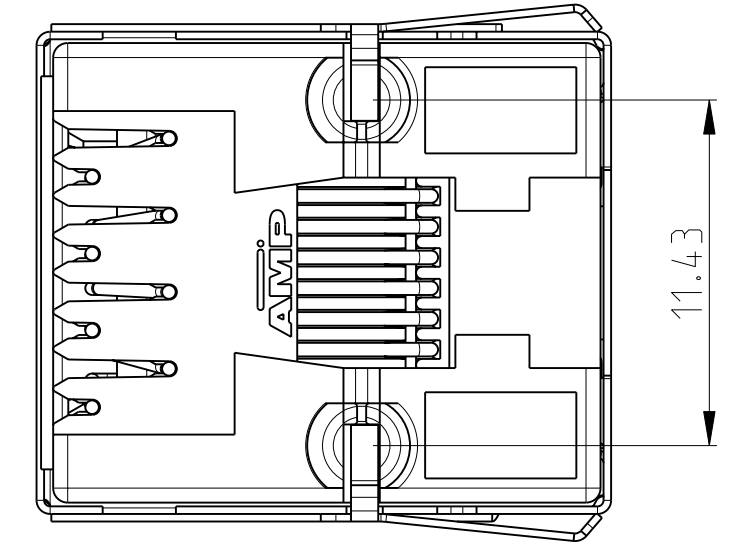
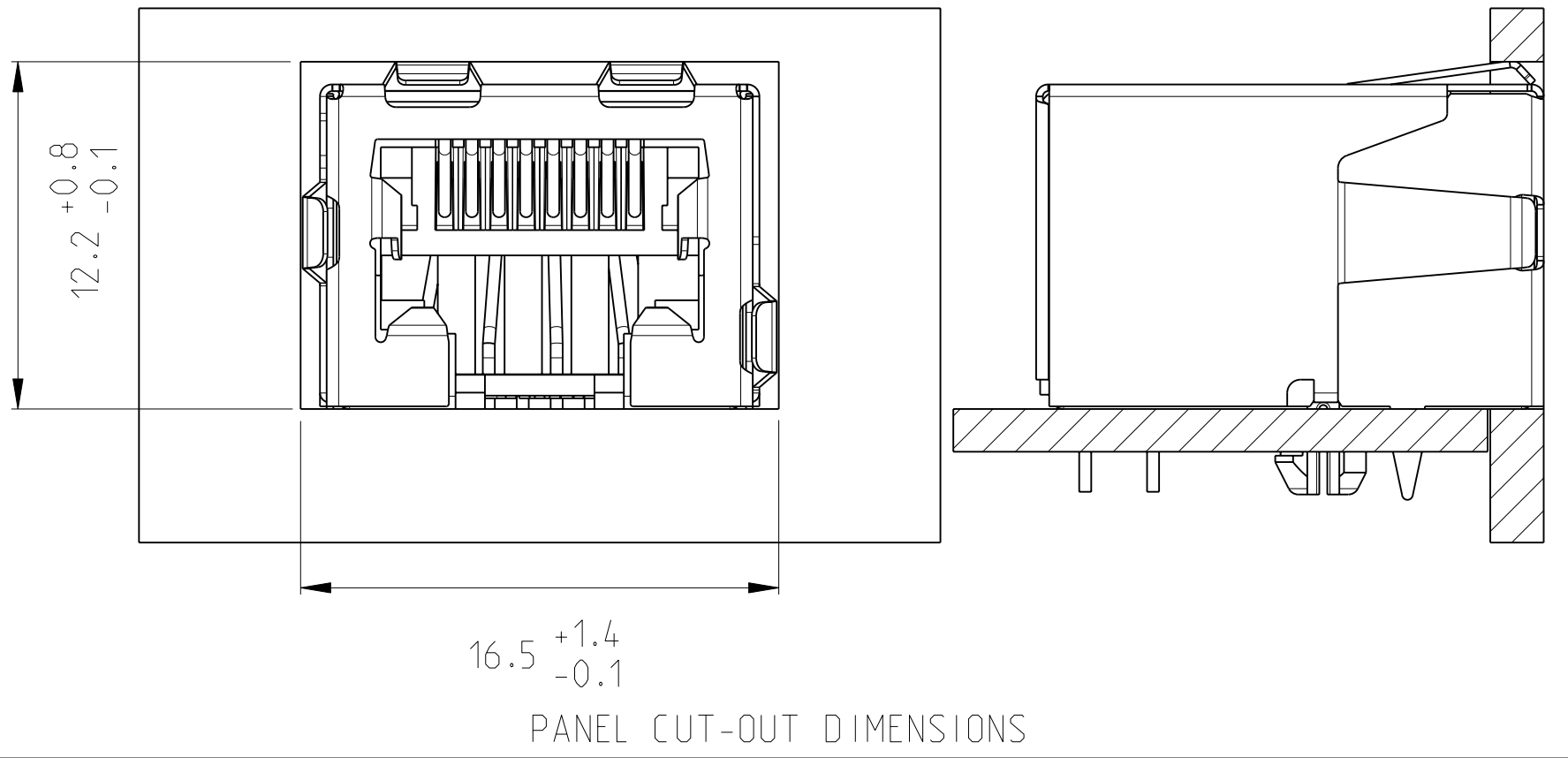
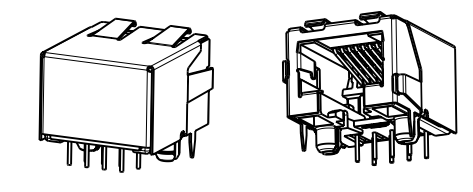
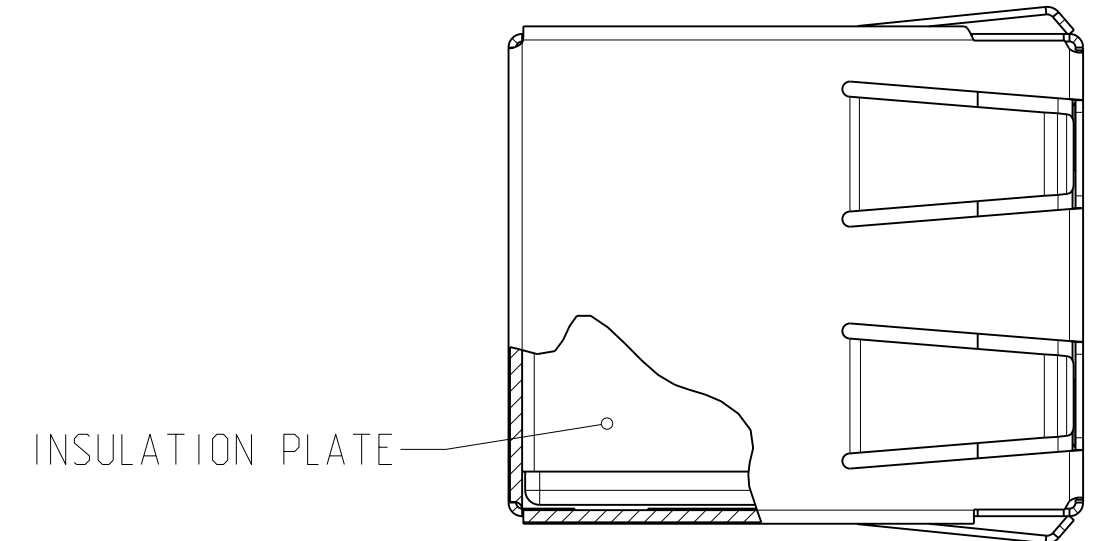


THIS DRAWING IS UNPUBLISHED. RELEASED FOR PUBLICATION 2000
 © COPYRIGHT 2000 TE CONNECTIVITY ALL RIGHTS RESERVED.

LOC	DIST	REVISIONS					
		P	LTR	DESCRIPTION	DATE	DWN	APVD
IR	-	B		ECR-10-020218	21JUN2011	PS	RRP



Ø0.45 REF (8x)



SCALE: 1:1

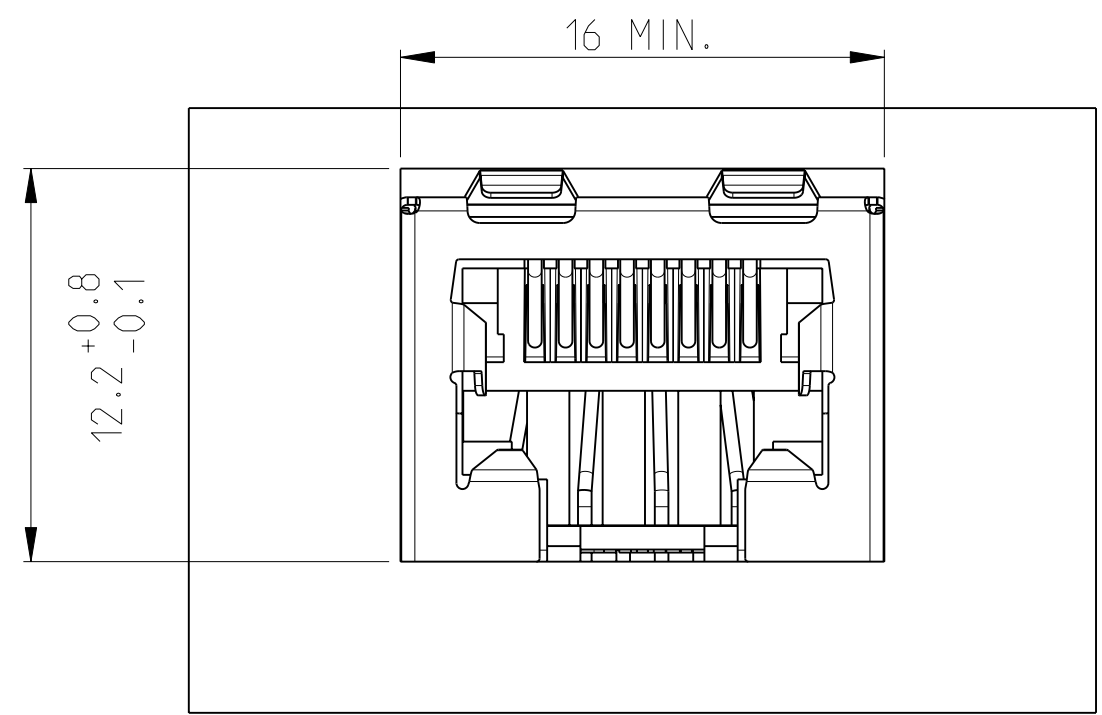
PACKAGING	REMARKS	OVERALL: Ni 1.27 µm MIN. ALL OVER THE CONTACTS	HOUSING: PBT UL 94 V-0 BLACK	P/N
		SOLDER ZONE: Sn 2.5 µm MIN. ON THE SOLDER ZONE OF THE CONTACT	CONTACTS: PHOSPHOR BRONZE	
		MATING ZONE: PLATING CONFIRMS TO PRODUCT REQUIREMENTS AS PER SPECIFICATION 108-19064	SHIELD: PHOSPHOR BRONZE PRE-PLATED (BRIGHT TIN)	2-5338556-1

PRINTED CIRCUIT BOARD LAYOUT.
 (VIEW SHOWN IS CIRCUIT (NONCOMPONENT) SIDE OF BOARD)
 PRINTED CIRCUIT BOARD THICKNESS: 1.6 mm NOMINAL.
 TOLERANCE UNLESS OTHERWISE SPECIFIED: ±0.05mm.

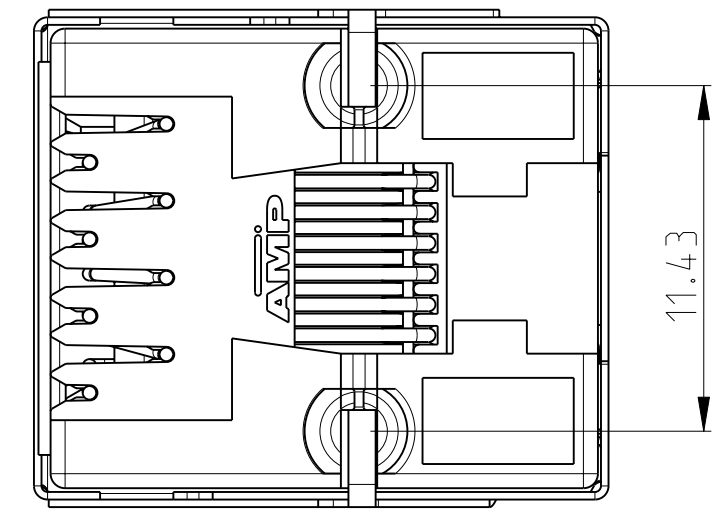
THIS DRAWING IS A CONTROLLED DOCUMENT.		DWN P.Willems 25-Feb-05	TE Connectivity	
		CHK P.Groels 25-Feb-05		
DIMENSIONS: mm		APVD J.Broeksteeg 25-Feb-05	NAME 8 pos. Modular Jack Side Entry fully shielded with insulation plate	
TOLERANCES UNLESS OTHERWISE SPECIFIED:		PRODUCT SPEC 108-19064	SIZE A2	
0 PLC ±0.15		APPLICATION SPEC 114-19019	CAGE CODE 00779	
1 PLC ±0.15		WEIGHT -	DRAWING NO C-5338556	
2 PLC ±0.15		CUSTOMER DRAWING	RESTRICTED TO -	
3 PLC ±0.15			SCALE 4:1	
4 PLC ±0.15			SHEET 1 OF 2	
ANGLES FINISH ±0°30'			REV B	

THIS DRAWING IS UNPUBLISHED. RELEASED FOR PUBLICATION 2000
 © COPYRIGHT 2000 TE CONNECTIVITY ALL RIGHTS RESERVED.

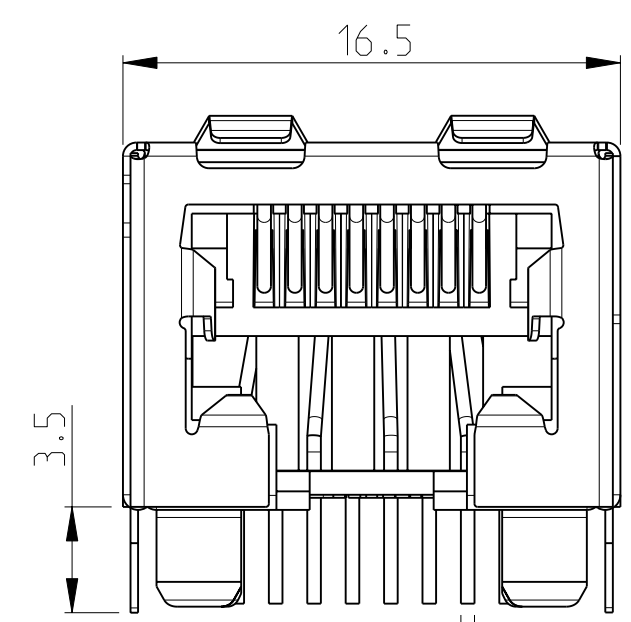
LOC	DIST	REVISIONS				
P	LTR	DESCRIPTION	DATE	DWN	APVD	
IR	-	SEE SHEET 1	-	-	-	



PANEL CUT-OUT DIMENSIONS

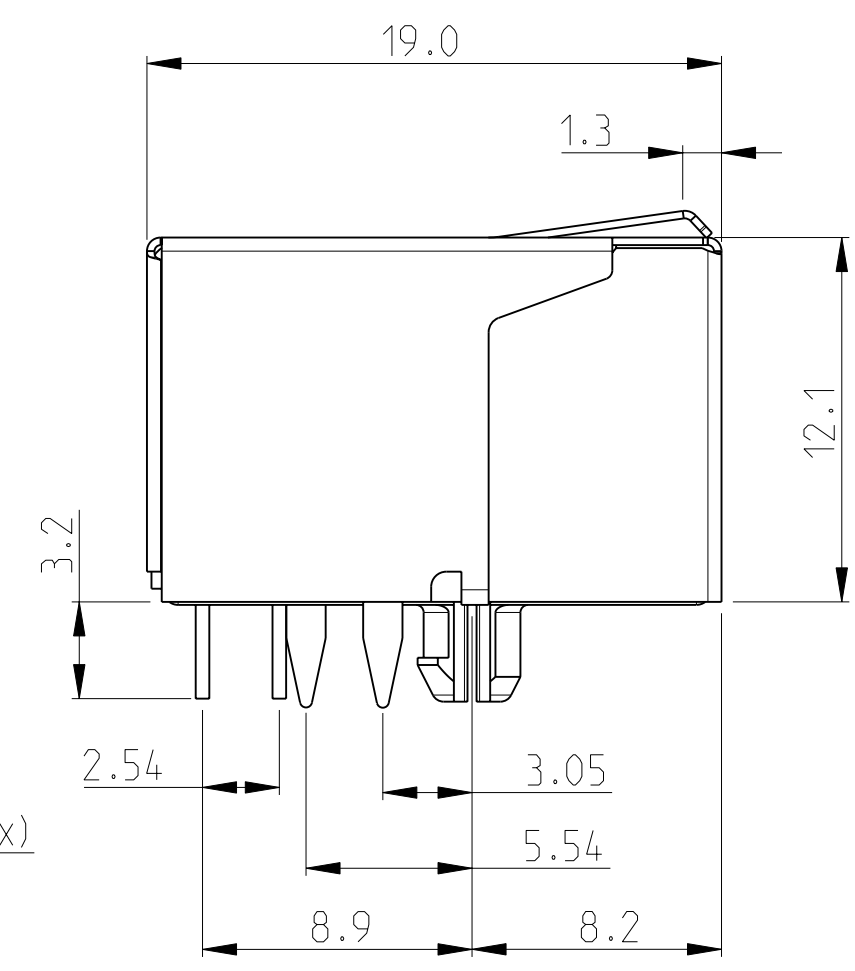


11.43



3.5

16.5



3.2

19.0

1.3

12.1

2.54

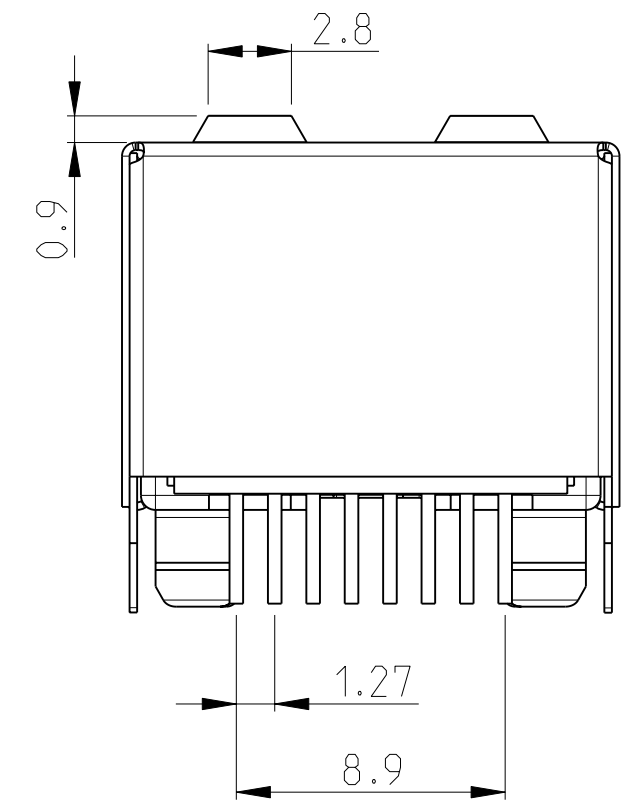
3.05

5.54

8.9

8.2

Ø0.45 REF (8x)

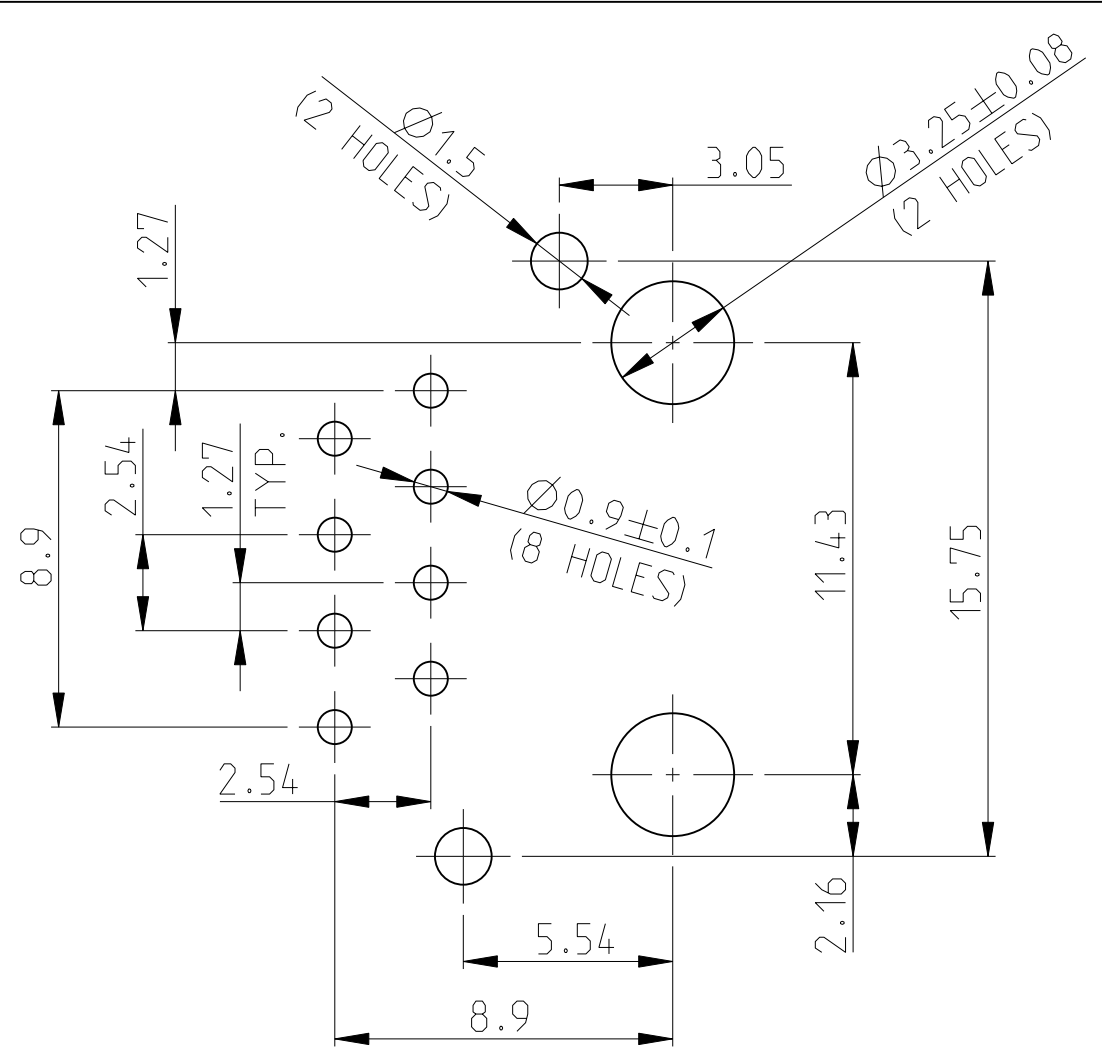


0.9

2.8

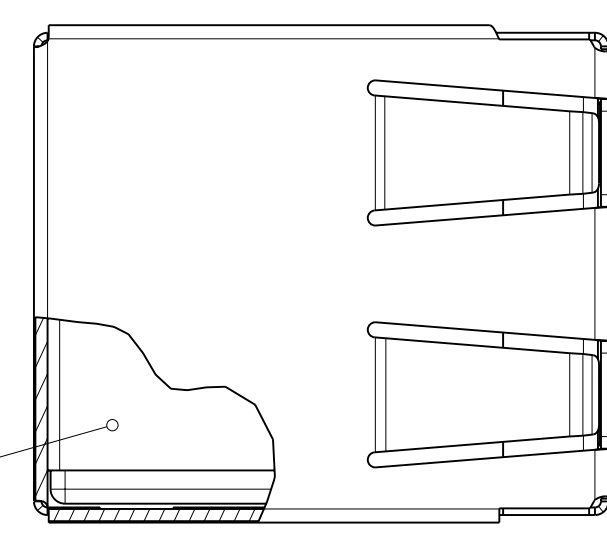
1.27

8.9



PRINTED CIRCUIT BOARD LAYOUT.

(VIEW SHOWN IS CIRCUIT (NONCOMPONENT) SIDE OF BOARD.)
 PRINTED CIRCUIT BOARD THICKNESS: 1.6 mm NOMINAL.
 TOLERANCE UNLESS OTHERWISE SPECIFIED: ± 0.15 mm.



INSULATION PLATE

PACKAGING	OVERALL: Ni 1.27 µm MIN. ALL OVER THE CONTACTS	DESCRIPTION	MATERIAL	P/N
	8 POS. 8 CONT.			
REMARKS	SOLDER ZONE: Sn 2.5 µm MIN. ON THE SOLDER ZONE OF THE CONTACT	MATING ZONE: PLATING CONFIRMS TO PRODUCT REQUIREMENTS AS PER SPECIFICATION 108-19064		
DESCRIPTION	8 pos. Modular Jack Side Entry fully shielded with insulation plate			
THIS DRAWING IS A CONTROLLED DOCUMENT.		DWN P.Willems 25-Feb-05	TE Connectivity	
DIMENSIONS: mm		CHK P.Groels 25-Feb-05		
TOLERANCES UNLESS OTHERWISE SPECIFIED:		APVD J.Broeksteeg 25-Feb-05	NAME	
0 PLC ±0.15	1 PLC ±0.15	PRODUCT SPEC	108-19064	
2 PLC ±0.15	3 PLC ±0.15	APPLICATION SPEC	114-19019	
4 PLC ±0.15	ANGLES ±0.30°	WEIGHT	-	
MATERIAL	FINISH	CUSTOMER DRAWING	SCALE 4:1	SHEET 2 OF 2