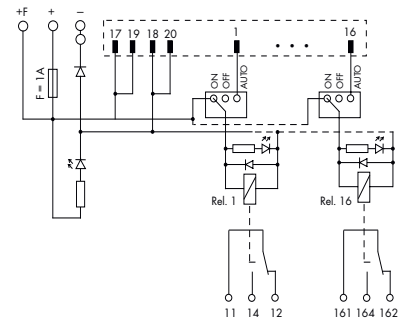
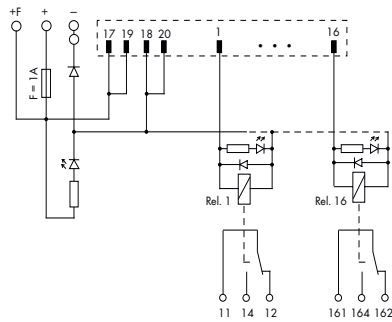
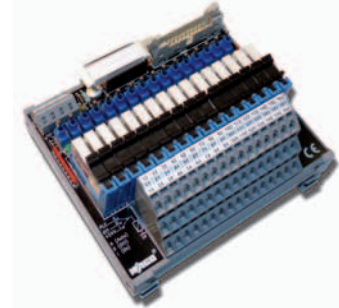


Interface Modules for System Wiring

704 Series



| | | |
|--|---|--|
| | <p>Relay output module with miniature switching relay for 16 channels, 1 changeover contact each (1 u) with integrated status indication, 20-pole connector acc. to DIN 41651</p> | <p>Relay output module with miniature switching relay for 16 channels, 1 changeover contact each (1 u) with integrated status indication and manual operation, 20-pole connector acc. to DIN 41651</p> |
|--|---|--|



| Description | Item No. | Pack. Unit | Item No. | Pack. Unit |
|---|----------|------------|----------|------------|
| Switching relay module, for DIN 35 rail | 704-5024 | 1 | 704-5044 | 1 |
| | | | | |
| | | | | |
| | | | | |

| Technical Data | | | | |
|--|---|--|---|--|
| Contact material | AgNi 90/10 | | AgNi 90/10 | |
| Contact type | 1 changeover contact | | 1 changeover contact | |
| Operating voltage | 24 V DC (± 10 %) | | 24 V DC (± 10 %) | |
| Max. switching voltage | 250 V AC / 48 V DC | | 250 V AC / 48 V DC | |
| Max. continuous current | 5 A | | 5 A | |
| Max. switching power (resistive) | 1250VA / 50W | | 1250VA / 50W | |
| Status indication | LED green : Channel LED yellow : Power supply | | LED green : Channel LED yellow : Power supply | |
| Mechanical life | 10 x 10 ⁶ switching operations | | 10 x 10 ⁶ switching operations | |
| Dielectric strength contact-coil (AC, 1 min) | 4 kV | | 4 kV | |
| Dielectric strength contact-contact | 1 kV | | 1 kV | |
| Fuse | Supply: 1 A Relay output: - | | Supply: 1 A Relay output: - | |
| Ambient operating temperature | -25 °C ... +40 °C | | -25 °C ... +40 °C | |
| Storage temperature | -40 °C ... +70 °C | | -40 °C ... +70 °C | |
| Dimensions (mm) L x W x H | 111 x 65 x 105 | | 111 x 65 x 105 | |
| incl. mounting carrier and relay | | | | |
| Wire connection | Height from upper-edge of DIN 35 rail Inpu: 20-pole connector acc. to DIN 41651 Output: CAGE CLAMP® | | Height from upper-edge of DIN 35 rail Inpu: 20-pole connector acc. to DIN 41651 Output: CAGE CLAMP® | |
| Cross sections | 0.08 mm ² ... 2.5 mm ² / AWG 28 ... 12 | | 0.08 mm ² ... 2.5 mm ² / AWG 28 ... 12 | |
| Strip length | 5 ... 6 mm / 0.22 in | | 5 ... 6 mm / 0.22 in | |
| | | | | |
| | | | | |
| | | | | |
| | | | | |
| Accessories | Spare relay 857-152 | | Spare relay 857-152 | |