



4715MS (119[□] x 38^L)



EMINEBEA.COM

AC Axial Fans

General Specifications

Allowable Ambient Temperature Range:

- 10°C ~ +70°C (Operating)
- 40°C ~ +70°C (Storage)
- (non-condensing environment)

Motor Structure: Shaded Pole Induction Motor

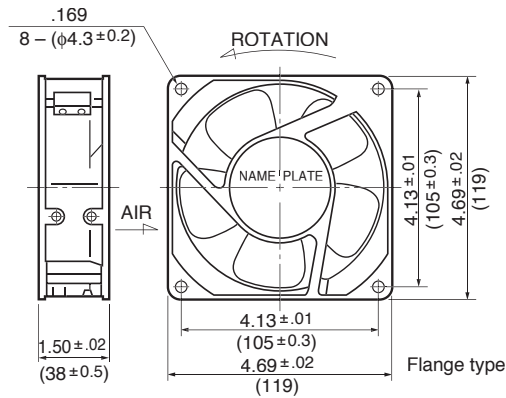
Motor Protection: Impedance Protection

Expected Life

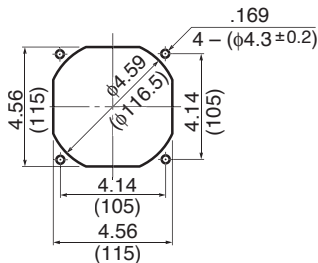
Failure Rate: 10%
25°C 50,000 Hours

Outline

Units: $\frac{\text{inch}}{\text{mm}}$



Panel Cut-outs

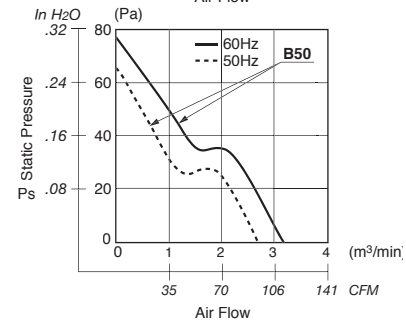
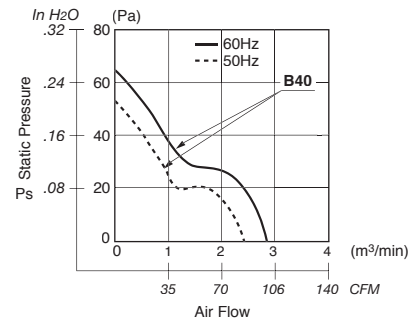
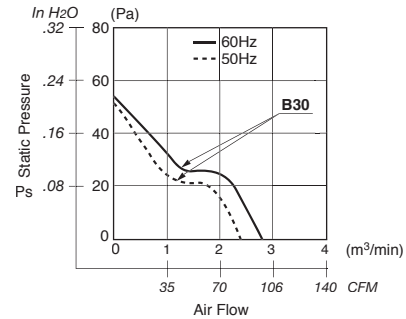
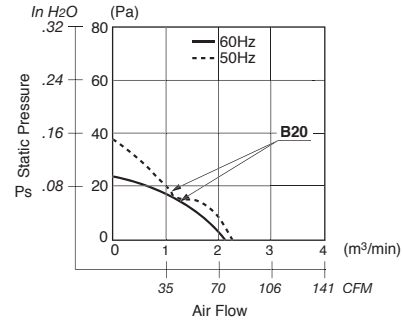
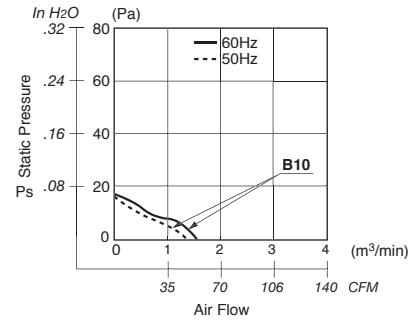


INLET SIDE / OUTLET SIDE

Material

- Casing : Aluminum
- Impeller : Polycarbonate (Glass Fiber-Containing)
- Bearing : Ball Bearings
- Lead Wire : AWG22, UL3266, CSA CLR52
- or Terminal: Faston #110 or equivalent

Characteristic Curves



4715MS (119[□] x 38^L)



EMINEBEA.COM

Specifications

MODEL	Rated Voltage	Frequency	Starting Voltage	Current	Input Power	Speed	Max. Air Flow		Max. Static Pressure		Noise	Mass
	(V)	(Hz)	(V)	(A)*1	(W) ^{+10% -20%}	(min ⁻¹)*3	CFM*2	(m ³ /min)*3	in H ₂ O	(Pa)*3	(dB)*2	(g)
4715MS-10T-B50-B00	100	50	65	0.270	15.0	2600	88.25	2.50	.259	64.6	37.0	550
	100	60	65	0.230	14.0	2900	102.0	2.90	.306	76.4	41.0	550
4715MS-12T-B50-A00	115	50	65	0.250	15.5	2600	88.2	2.50	.259	64.6	37.0	550
	115	60	65	0.210	14.5	2900	102.0	2.90	.306	76.4	41.0	550
4715MS-20T-B50-B00	200	50	130	0.140	15.0	2600	88.25	2.50	.259	64.6	37.0	550
	200	60	130	0.120	13.0	2900	102.0	2.90	.306	76.4	41.0	550
4715MS-22T-B50-B00	220	50	145	0.120	14.0	2600	88.25	2.50	.255	63.7	37.0	550
	220	60	145	0.100	13.0	2900	102.0	2.90	.302	75.4	41.0	550
4715MS-23T-B50-A00	230	50	175	0.120	15.0	2600	88.2	2.50	.255	63.7	37.0	550
	230	60	175	0.100	14.0	2900	102.0	2.90	.283	70.5	41.0	550
4715MS-24T-B50-A00	240	50	140	0.110	14.0	2600	88.25	2.50	.255	63.7	37.0	550
	240	60	140	0.100	13.0	2900	102.0	2.90	.363	65.6	41.0	550
4715MS-10T-B40-B00	100	50	65	0.250	15.0	2450	85.0	2.40	.204	50.9	35.0	550
	100	60	65	0.220	13.0	2750	95.0	2.70	.251	62.7	39.0	550
4715MS-12T-B40-A00	115	50	75	0.220	15.0	2450	85.0	2.40	.204	50.9	35.0	550
	115	60	75	0.190	13.0	2750	95.0	2.70	.259	64.6	39.0	550
4715MS-20T-B40-B00	200	50	130	0.130	15.0	2450	85.0	2.40	.204	50.9	35.0	550
	200	60	160	0.110	13.0	2750	95.0	2.70	.255	63.7	39.0	550
4715MS-22T-B40-B00	220	50	145	0.110	14.0	2450	85.0	2.40	.216	53.9	35.0	550
	220	60	145	0.100	12.0	2750	95.0	2.70	.255	63.7	39.0	550
4715MS-23T-B40-A00	230	50	175	0.120	15.0	2450	85.0	2.40	.216	53.9	35.0	550
	230	60	175	0.100	13.0	2750	95.0	2.70	.255	63.7	39.0	550
4715MS-24T-B40-A00	240	50	140	0.100	13.0	2450	85.0	2.40	.204	50.9	35.0	550
	240	60	140	0.080	12.0	2750	95.0	2.70	.236	58.8	39.0	550
4715MS-10T-B30-B00	100	50	65	0.190	11.0	2400	81.0	2.30	.200	49.9	34.0	550
	100	60	65	0.170	10.0	2600	88.2	2.50	.204	50.9	37.0	550
4715MS-12T-B30-A00	115	50	75	0.160	11.0	2400	81.0	2.30	.200	49.9	34.0	550
	115	60	75	0.140	10.0	2600	88.2	2.50	.200	49.9	37.0	550
4715MS-20T-B30-B00	200	50	130	0.090	10.0	2400	81.0	2.30	.193	48.0	34.0	550
	200	60	130	0.080	10.0	2600	88.2	2.50	.185	46.0	37.0	550
4715MS-22T-B30-B00	220	50	145	0.090	11.0	2400	81.0	2.30	.197	49.0	34.0	550
	220	60	145	0.080	10.0	2600	88.2	2.50	.189	47.0	37.0	550
4715MS-23T-B30-A00	230	50	175	0.100	12.0	2400	81.0	2.30	.197	49.0	34.0	550
	230	60	175	0.080	11.0	2600	88.2	2.50	.208	51.9	37.0	550
4715MS-24T-B30-A00	240	50	140	0.090	12.0	2400	81.0	2.30	.197	49.0	34.0	550
	240	60	140	0.080	11.0	2600	88.2	2.50	.204	50.9	37.0	550
4715MS-10T-B20-B00	100	50	65	0.130	8.0	2100	76.5	2.00	.141	35.2	32.0	550
	100	60	65	0.120	8.0	1950	67.0	1.90	.098	24.5	30.0	550
4715MS-12T-B20-A00	115	50	75	0.100	7.0	2100	70.6	2.00	.141	35.2	32.0	550
	115	60	75	0.100	7.0	1950	67.0	1.90	.098	24.5	30.0	550
4715MS-20T-B20-B00	200	50	130	0.060	7.0	2100	70.6	2.00	.129	32.3	32.0	550
	200	60	130	0.060	7.0	1950	67.0	1.90	.082	20.5	30.0	550
4715MS-22T-B20-B00	220	50	145	0.060	7.0	2100	70.6	2.00	.125	31.3	32.0	550
	220	60	145	0.060	7.0	1900	67.0	1.90	.078	19.6	30.0	550
4715MS-23T-B20-A00	230	50	175	0.060	7.5	2100	70.6	2.00	.141	35.2	32.0	550
	230	60	175	0.060	7.5	1900	67.0	1.90	.086	21.5	30.0	550
4715MS-24T-B20-A00	240	50	175	0.060	8.0	2100	70.6	2.00	.153	38.2	32.0	550
	240	60	175	0.060	8.0	1900	67.0	1.90	.098	24.5	30.0	550
4715MS-10T-B10-B00	100	50	65	0.110	7.0	1350	45.9	1.30	.066	16.6	27.0	550
	100	60	65	0.110	6.5	1450	49.4	1.40	.066	16.6	28.0	550
4715MS-12T-B10-A00	115	50	75	0.090	6.0	1350	45.9	1.30	.062	15.6	27.0	550
	115	60	75	0.080	5.5	1450	49.4	1.40	.066	16.6	28.0	550
4715MS-20T-B10-B00	200	50	130	0.055	6.0	1350	45.9	1.30	.059	14.7	27.0	550
	200	60	130	0.050	5.0	1450	49.4	1.40	.059	14.7	28.0	550
4715MS-22T-B10-B00	220	50	145	0.050	6.0	1350	45.9	1.30	.059	14.7	27.0	550
	220	60	145	0.040	5.5	1450	49.4	1.40	.059	14.7	28.0	550
4715MS-23T-B10-A00	230	50	175	0.050	6.5	1350	45.9	1.30	.059	14.7	27.0	550
	230	60	175	0.045	6.0	1450	49.4	1.40	.059	14.7	28.0	550
4715MS-24T-B10-A00	240	50	175	0.050	6.5	1350	45.9	1.30	.062	15.6	27.0	550
	240	60	175	0.045	6.0	1450	49.4	1.40	.066	16.6	28.0	550

Rotation: Counterclockwise Airflow Outlet: Air Out Over Struts *1: Maximum Values in Free Air *2: Average Values in Free Air *3: Minimum Values in Free Air

項目 (ITEMS)	諸元 (DESCRIPTION)
モーターの種類 (MOTOR TYPE)	単相2極陰取りコイル誘導電動機 2P Single Ph. Shaded Pole Induction Motor
定格 (Rating)	
定格時間 (Duty)	連続 (Continuous)
電圧 (Voltage) (V)	230
周波数 (Frequency) (Hz)	50 60
起動電圧 (Starting Voltage) (V)	175
定格回転数 (Speed) MIN. (rpm)	2600 2900
定格電流 (Current) MAX. (A)	0.12 0.10
定格入力 (Input Power) $-10 \pm 2.0\%$ (W)	15 14
最大風量 (Max. Air Flow) ☆5 ☆4 (m ³ /min)	2.7 ☆1 (35.4) 3.2 ☆1 (110)
最大静圧 (Max. Static Pressure) ☆6 ☆4 (mmH ₂ O)	7.5 ☆2 (0.295) 9 ☆2 (0.354)
拘束電流 (Locked Rotor Current) (A)	0.16 0.14
規格 (Standard)	
絶縁抵抗 (Insulation resistance)	DC50Vメガーにて100MΩ以上 (100MΩ MIN BY DC500V Megger)
絶縁耐圧 (Dielectric Withstand Voltage) ☆3	AC1300V, 50(60)Hz, 3s
温度上昇 (Temperature Rise)	温度計法 (Thermocouple Method) 20°C Max. 抵抗法 (Resistance Method) 50°C Max.
期待できる平均寿命 (Life Expectation)	常温常湿にて50,000時間 (50,000h at 20°C ±15°C, 65% ±20%)
許容環境温度範囲 (Allowable Ambient Temperature)	-40°C ~ +60°C
表面処理 (Surface Treatment)	黒色塗装 (Black painting)
重量 (Weight : kg)	0.5t
騒音 (Noise : dB) (at 2750/3200rpm)	37/41 (50/60Hz, 側面より1m) (50/60Hz 3.3ft. aside)
保護方式 (Protection)	サーマル プロテクト (Thermally Protected)
絶縁階級 (Insulation Class)	E種 (class A)
型式許可番号	
UL File No.	E8936
CSA File No.	LR66829
VDE No.	15073-2611-1001
	En61335-1.
構造 (Structure)	
軸受 (Bearings)	ボールベアリング (Ball Bearings)
端子 (Terminal)	ファストン #110相当品 (FASTON #110 or equiv.)

NOTE

- ☆1 Max. Air Flow in CFM
- ☆2 Max Static Pressure in Inches of Water
- ☆3 Guarantee AC 1500V 1 min
- ☆4 At 0 static pressure
- ☆5 At 0 static pressure
- ☆6 At 0 Air Flow
- ☆7 Producing Country "THAILAND, JAPAN, CHINA" △

特記事項 NOTE

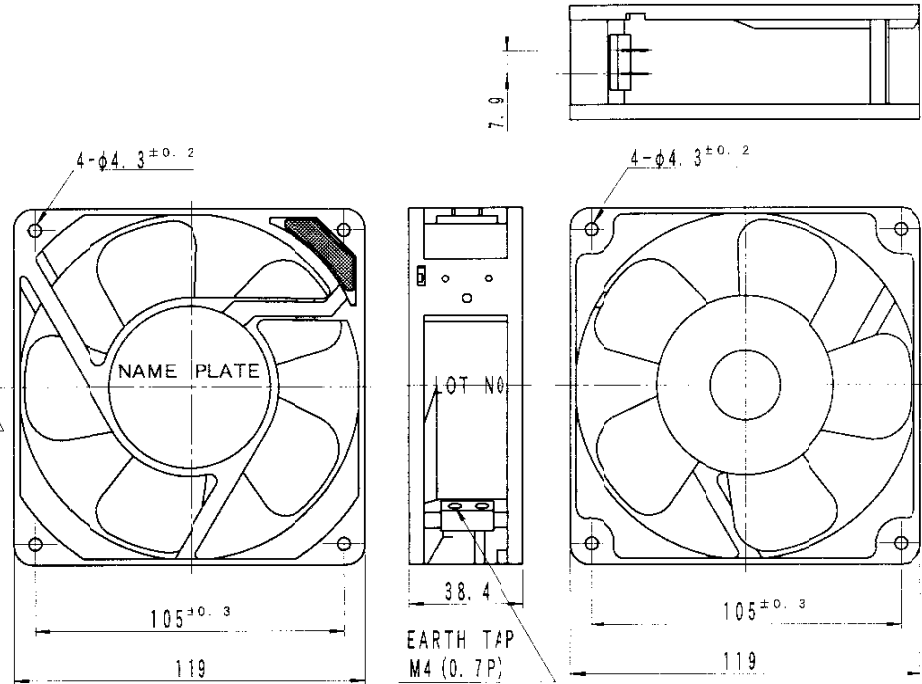
- (1) 本仕様書に記載されていない項目で特に決めの必要項目は事前に御連絡下さい。
SPECIFICATIONS WILL BE SPECIFIED BETWEEN MANUFACTURER AND CUSTOMER, IF CUSTOMER REQUIRED ANY OTHER SPECIFICATION FROM SPECIFICATIONS
- (2) 当仕様書定範囲において性能向上の為、部品等一部変更する場合があります。
PARTS DESIGN WILL BE CHANGED WITHOUT ANY INFORMATION DUE TO IMPROVE THE MOTOR CHARACTERISTICS BY UNDER SPECIFIED SPECIFICATIONS

(3) 保管はできるだけ6ヵ月以内とし、高温多湿の場所

は避けて下さい。

STORAGE TERMS SHOULD BE WITHIN 6 MONTHS AS MUCH AS POSSIBLE, AND SHOULD NOT BE KEPT IN HIGH TEMPERATURE AND HIGH HUMIDITY AREA.

MARK	DATE	REASON/ECN NO.	ENG.	APP.
△1	96/04/25	ECN NO. 73302/A	NKJM	MTMT
△1	99/07/27	ECN 74792/B	YMZK	



ミネベア株式会社 MINEBEA CO.,LTD.		単位 UNIT: mm 尺取 SCALE:	材質 MATERIAL:	作成日 DATE: 1995 ' 12 ' 08 品名 DESCRIPTION:
APPROVED: MTMT CHECKED: OTK DRAWN: NKJM	寸法 L: L ≤ 4 ±0.1 L < 14 ±0.2 16 < L ≤ 20 ±0.3 23 < L ≤ 25 ±0.5 250 < L ≤ 1000 ±0.8 公差 DEC: 3.0 B	表面粗さ SURF. ROUGH:	熱処理 HEAT TREAT:	品番 PART NO. (MODEL NO.): 4715MS-23T-B5A-D00 図番 DRAWING NO.: 4715MS-23T-B5A-D00
			表面処理 FINISH:	図番 SHEET: 1/1 改訂 REV.: B

AC Axial Fans



	Page
Part Numbering System	60
Common Specifications	61
Agency Approvals	61
Panel Cut-outs	61

Product Series	Size (mm)	AirFlow (m ³ /hr)	Page
2412PS Series	60sq x 30	15.6	62
3110PS Series	80sq x 25	33.6	63
3115PS Series	80sq x 38	54.0	64
3610PS Series	92sq x 25	59.0	65
4710PS Series	119sq x 25	120.0	66
4715FS Series	119sq x 38	153.0	67
4715MS Series	119sq x 38	174.0	68
5915PC Series	Ø172x150x38	360.0	70

Part Numbering System



1 Frame Size

24	31	36	47	59
60mm	80mm	92mm	119mm	150mm

2 Frame Thickness

10	12	15
25mm	30mm	38mm

3 Series

P: Series, M: Series
F: Series

4 Motor Function

S: Shaded-pole C: Capacitor-run

5 Input Voltage

10	12	20	22	23	24
100V	115V	200V	220V	230V	240V

6 Termination

W: Lead Wires, T: Terminal

7 Bearing

B: Ball Bearing

8 Speed Class

0<1<2<3<4<5

9 Special Control Function

0: Impedance Protected
A: Thermal Protected

10 Product Number

A: Standard Model B: Standard Model D: Custom Casing K: Frameless
115V, 230V, 240V 100V, 200V, 220V 115V, 230V