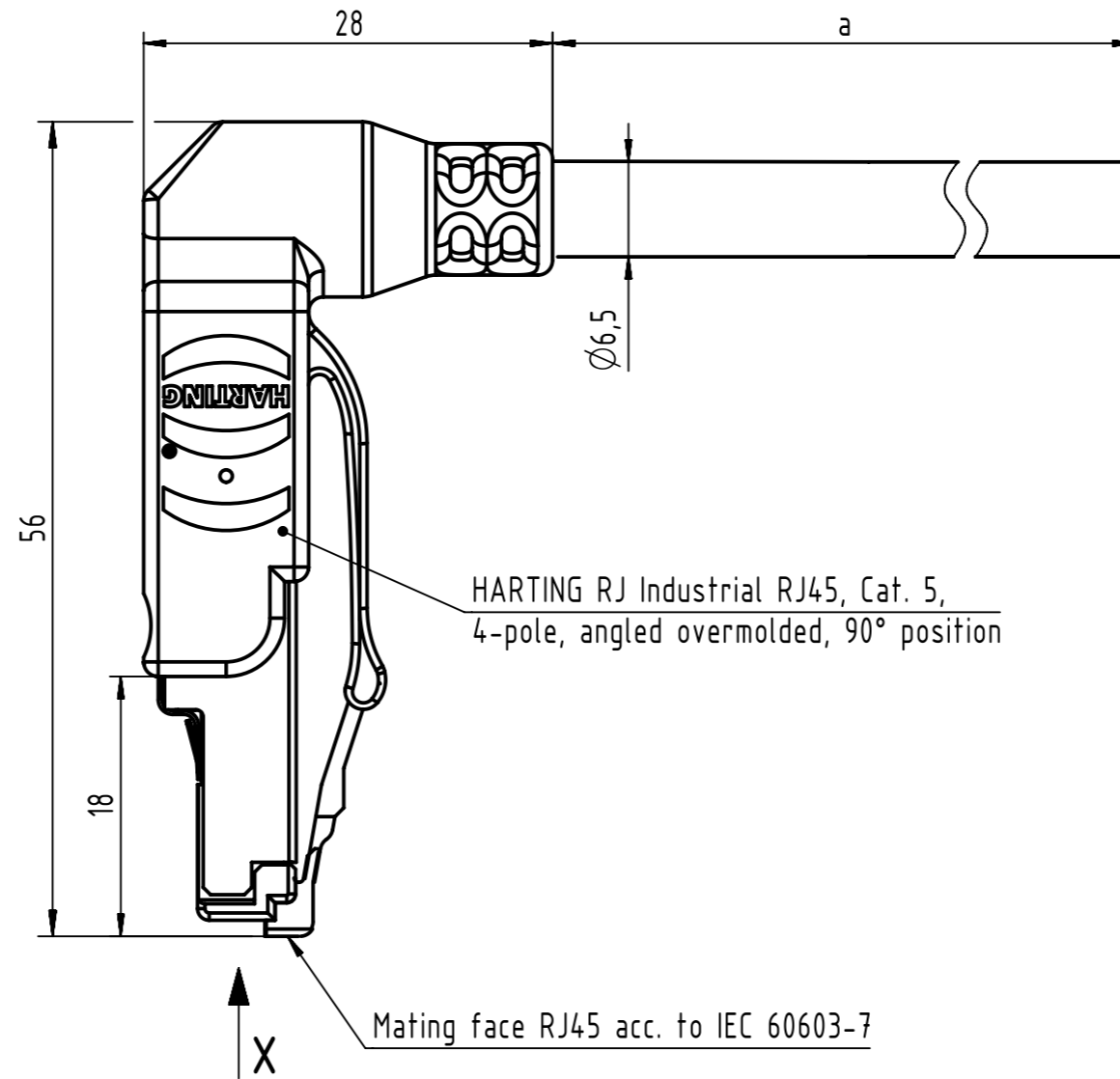


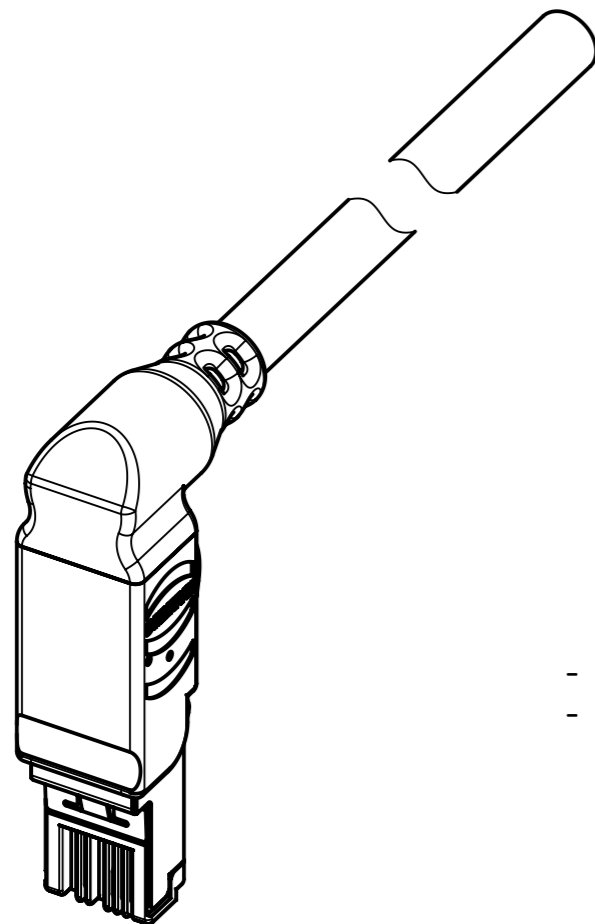
Connector Location A

Connector Location B



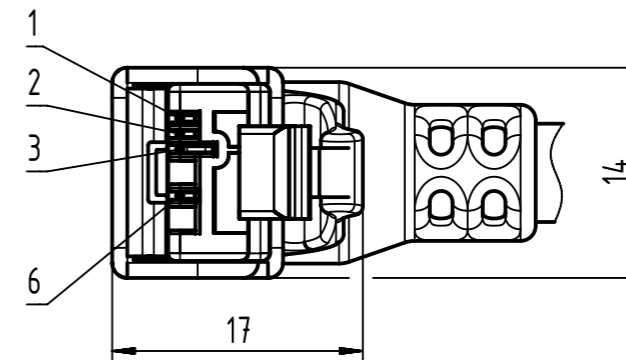
HARTING RJ Industrial RJ45, Cat. 5,
4-pole, angled overmolded, 90° position

Mating face RJ45 acc. to IEC 60603-7

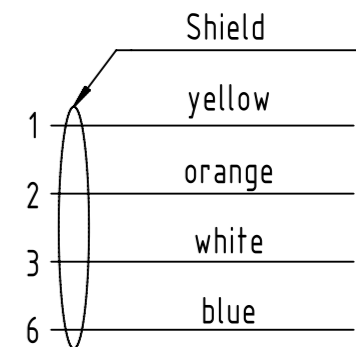



- Protection level: IP20
- Temperature range: -40°C ... +70°C

X
male



Loading Plan



		All rights reserved Department HCS - RO		Created by STOCHECIC Stocheci		Inspected by COSTEA Costea		Standardisation MUNTEANV Muntean		Date 2019-08-08		State Final Release	
HARTING Customised Solutions D-32339 Espelkamp				Title RJ Industrial Cable Assembly				Doc-Key / ECM-Nr. 100155463/UGD/013/D 500000156279					
				Type TB		Number 09470400XXX				Rev. D		Page 1/2	

